

Form 8053
April, 1913
Supersedes Form 7452

PRICE LIST

OF

PARTS



From the library of: Diamond Needle Corp

MACHINES

Nos. 19-4, 19-5 and 19-8
to 19-17

THE SINGER MANUFACTURING COMPANY

INDEX

	PAGE
ACCESSORIES.....	71
BOBBIN WINDERS.....	75
FOOT LIFTER PARTS.....	79
HEMMERS (FOOT).....	71
IRON BASE.....	71
KNEE LIFTER PARTS.....	79
LAP SEAM FELLERS.....	72
MACHINE NO. 19-4.....	7
" " 19-5.....	13
" " 19-8.....	20
" " 19-9.....	26
" " 19-10.....	32
" " 19-11.....	38
" " 19-12.....	43
" " 19-13.....	45
" " 19-14.....	50
" " 19-15.....	51
" " 19-16.....	58
" " 19-17.....	65
NUMERICAL LIST OF PARTS.....	97
OBSOLETE PARTS.....	87
PRESSER FEET.....	73
STAND.....	80
STRIP FOLDER.....	73
TAPE GUIDE ON SLIDE.....	74
" HOLDERS.....	74
THREAD UNWINDERS.....	82
UNDER DRIVER (OIL CONTROLLING PULLEY).....	83
" " (BALL BEARING).....	85

From the library of: Diamond Needle Corp

INSTRUCTIONS FOR ORDERING

In ordering from this list, use ONLY the PART number in the FIRST column.

The number stamped on a Sewing Machine part is in every case the number of the single part only.

Every combination of parts sent out as such has its specific number, which, although not stamped on the parts, must be used when ordering the combination.

Each number always indicates the SAME PART in whatever list it appears, or for whatever machine.

The letters after some of the numbers indicate the style of finish only, as follows:

- A. Hardened, Polished and Plated.
- B. Polished and Plated.
- C. Hardened only.
- D. Polished only.
- E. Soft, not Polished.
- F. Hardened and Polished.
- H. Blued.

These letters MUST BE USED when they appear in the list, and AFTER the number as in the list.

In this series

- 1 to 1500 are Screw Numbers.
- 1501 to 1800 are Nut Numbers.
- 1801 to 2000 are Roller Numbers.
- 2001 and upward are numbers of Machine Parts.

The figures in the second column refer only to the plates, illustrating the parts, and are NOT TO BE USED in ordering.

Parts marked with an asterisk (*) are furnished only when repairs are made at factory.

When ordering parts which differ as to GAUGE (the distance between seams) the GAUGE as well as the NUMBER MUST BE GIVEN on orders.

LIST OF PARTS COMPLETE FOR MACHINE NO. 19-4

TWO NEEDLES, ONE SHUTTLE, DROP FEED, GAUGES FROM 1/12 INCH TO 3/16 INCH, LEATHER. MAKES TWO PARALLEL SEAMS ON UPPER SURFACE AND OVERCAST SEAM ON THE UNDER SURFACE.

NO.	PLATE	NAME	EACH
*6801	—	Arm with 122D, 283D and 7248.....	\$6 00
2117	748	" Dowel Pin.....	01
4448	748	" Oil Tube for intermediate bearing..	06
123E	750	" Screw.....	75
*7248	—	" Side Plate.....	05
122D	750	" " " Screw.....	10
283D	750	" " " Thumb Screw.....	1 50
6802	1705	" Shaft.....	15
3005	737	" " Bushing.....	03
448C	742	" " " Set Screw.....	25
6803	737	" " Collar with two 450F.....	02
450F	750	" " " Set Screw.....	30
6804	737	" " Gear with 453C.....	01
2117	748	" " " Pin.....	02
453C	742	" " " Set Screw.....	08
144D	750	" " Screw.....	20
3197	1704	" Spool Pin (horizontal).....	
7234	737	Balance Wheel (power) 3 in. pulley, 4 1/4 in. outside diameter, with two 448C.....	75
7370	1729	Balance Wheel (stand) heavy rim, 3 in. pulley, with two 448C.....	75
2862	1729	Balance Wheel (stand) heavy rim, 3 in. pulley, for 3022D.....	75
448C	742	Balance Wheel Set Screw.....	03
6805	737	" " Shaft.....	50
6806	737	" " " Gear with 453C..	30
2022	748	" " " " Pin.....	01
453C	742	" " " " Set Screw...	02
144D	750	" " " Screw.....	08
2139	1711	" " Speed Pulley, 2 in. diam., with 451C.....	15
2140	1711	Balance Wheel Speed Pulley, 2 1/2 in. diam., with 437C.....	15

From the library of: Diamond Needle Co.

PARTS FOR MACHINE NO. 19-4

NO.	PLATE	NAME	EACH
451C	1700	Balance Wheel Speed Pulley Set Screw for 2139.	\$ 03
437C	1700	Balance Wheel Speed Pulley Set Screw for 2140.	04
256D	732	Clamp Stop Motion Clamp Screw.	30
248F	1737	" " " " Stop Screw..	02
2020	732	" " " " Washer.....	05
*3023	---	" " " " Flanged Bushing	35
4933	732	" " " " " "	"
		3023 with two 462C.	35
2022	748	Clamp Stop Motion Flanged Bushing Pin.	01
462C	743	Clamp Stop Motion Flanged Bushing Set Screw.	02
3022D	---	Clamp Stop Motion complete, Nos. 248F, 256D, 2020 and 4933.	75
6127	731	Cloth Plate, for 1/32 in. to 1/16 in. gauge..	1 00
17403	732	" " " 3/32 in. to 3/16 in. gauge.	1 00
401D	750	" " " " " " Screw.....	02
4292	738	Crank Connecting Rod with 4349 and two 158E.	70
*4349	---	Crank Connecting Rod Cap.	15
158E	750	" " " " " " Screw.....	03
375C	742	" " " " " " Hinge Screw.....	12
1518E	742	" " " " " " Nut	04
*6126	---	Cylinder, 2 1/4 in. diam.	12 00
17309	737	Face Plate with Tension Bracket (solid)	90
17310	---	Face Plate complete, Nos. 86D, 330D, 448C, 808F, 809F, 2105, 2107, 2127, 2248, 2410, 2411, 4377, 17309, two each 233D, 1560C, 2103 and four 2102	2 00
164D	750	Face Plate Screw.	04
2107	748	" " " " " " Thread Guard.....	02
233D	742	" " " " " " Screw.....	02
6807	738	Feed Cam with 446C.	35
446C	750	" " " " " " Set Screw.....	03
3033	742	" " " " " " Connecting Link.....	20
375C	742	" " " " " " Hinge Screw.....	12
1518E	742	" " " " " " " " Nut	04
6157	1719	" " " " " " Dog, for 1/32 in. to 1/16 in. gauge....	35
17404	1719	" " " " " " " " 3/32 in. to 3/16 in. gauge....	1 00
185H	750	" " " " " " " " Screw.....	02
6158	738	" " " " " " Forked Connection.....	75
375C	742	" " " " " " " " Hinge S c r e w	12
1518E	742	" " " " " " " " " " Nut.....	04
6132	742	Feed Forked Connection Universal Joint.....	25

PARTS FOR MACHINE NO. 19-4

NO.	PLATE	NAME	EACH
23C	742	Feed Forked Connection Universal Joint Hinge Screw.	\$ 15
5544	742	Feed Regulator Crank with two 448C..	25
448C	742	" " " " " " Set Screw.....	03
5545	742	" " " " " " Lever with 460C.....	35
5546	---	" " " " " " 5545 with 330D and 5547.....	50
7958	2642	Feed Regulator Lever Pin.....	01
6815	742	" " " " " " Segment.....	30
330D	742	" " " " " " " " Screw..	02
460C	742	" " " " " " " " Set Screw.....	02
5547	742	" " " " " " " " Spring.....	03
330D	742	" " " " " " " " Screw....	02
238D	742	" " " " " " " " Stop Screw.....	02
286D	742	" " " " " " " " Thumb Screw....	10
5550	739	" " " " " " " " Shaft.....	15
6137	1706	" " " " " " " " Rock Shaft.....	50
16767	1706	" " " " " " " " Arm with 453C.....	75
212C	750	" " " " " " " " Cap Screw.....	04
6166	748	" " " " " " " " Pin.....	01
453C	742	" " " " " " " " Set Screw.....	02
300C	750	" " " " " " " " Screw Centre.....	08
1513E	1737	" " " " " " " " " " Nut.....	05
6161	738	" " " " " " " " Rod.....	75
657C	750	" " " " " " " " Hinge Screw.....	10
6162	742	" " " " " " " " Raising Block.....	15
207D	742	" " " " " " " " " " Screw.....	02
16639	1722	" " " " " " " " Spring.....	02
233D	742	" " " " " " " " " " Screw.....	02
17394	1730	Needle Bar, for 1/32 in. to 1/16 in. gauge.	50
4344	739	" " " " " " " " 3/32 in. to 3/16 in. gauge.	50
3045	743	" " " " " " " " Connecting Link.....	30
377C	743	" " " " " " " " " " H i n g e Screw.....	12
1518E	742	Needle Bar Connecting Link Hinge Screw Nut.....	04
2052	743	Needle Bar Connecting Stud with 155C.	25
155C	743	" " " " " " " " Set Screw..	03
3214	742	" " " " " " " " Guide with 400C and 453C..	25
400C	742	" " " " " " " " Adjusting Screw.....	02
453C	742	" " " " " " " " Set Screw.....	02
290E	750	" " " " " " " " Screw Bushing.....	06
17395	1722	" " " " " " " " Clamp Body.....	50
17396	1722	" " " " " " " " Gib (left).....	25
14805	1722	" " " " " " " " " (right).....	10
196F	1722	" " " " " " " " " " Screw.....	02
14906	1722	" " " " " " " " " " Thread Guard.....	03
337D	1722	" " " " " " " " " " " " Screw.....	02

From the library of: Diamond Needle Corp

NO.	PLATE	NAME	EACH
17397	—	Needle Clamp complete, for $\frac{1}{32}$ in. to $\frac{1}{16}$ in. gauge, for 17394, Nos. 196F, 337D, 14805, 14906, 17395 and 17396.	\$ 95
17405	1722	Needle Clamp with two 460F, for $\frac{3}{32}$ in. to $\frac{1}{16}$ in. gauge.	80
2273	748	Needle Clamp Pin.	01
460F	742	" Set Screw.	02
6818	1722	" Stripper, for $\frac{1}{32}$ in. to $\frac{1}{16}$ in. gauge, for 6141 and 6142.	1 00
6819	1722	Needle Stripper Bracket with 453C.	15
453C	742	" " Set Screw.	02
190D	750	" " Screw.	03
6022	738	Oscillating Rock Shaft (steel) with 4784	1 00
3052	1711	" " " Hinge Pin.	50
1513E	1737	" " " " Nut.	05
4784	743	" " " Oil Pad.	01
6023	1730	" Shaft.	40
*6056	—	" Crank with 1813.	50
6024	1722	" " " 6056 with two 462C.	50
2049	748	Oscillating Shaft Crank Pin.	01
1813	743	" " " Roller and Stud	20
462C	743	" " " Set Screw.	02
3054	739	Presser Bar.	35
2062	743	" " Lifter.	20
689C	743	" " " Screw.	10
1520E	743	" " " Nut.	03
5611	739	" " Lifting Bracket with 453C and 5613.	25
453C	742	Presser Bar Lifting Bracket Set Screw.	02
290E	750	" " Screw Bushing.	06
3056	1711	" " Spring (heavy).	05
2308	739	" " " (light).	05
2070	748	" " " Washer.	01
17406	1707	" Foot, for $\frac{3}{32}$ in. to $\frac{1}{16}$ in. gauge, for general work.	1 00
17407	1707	Presser Foot, for $\frac{3}{32}$ in. to $\frac{1}{16}$ in. gauge, for staying.	1 50
190D	750	Presser Foot Screw.	03
262E	750	Pressure Regulating Thumb Screw.	25
1868	1731	Roller, $\frac{7}{8}$ in. diam., coarse, with 652D and 1528D, for 6141.	25
1841	—	Roller, $\frac{7}{8}$ in. diam., fine, with 652D and 1528D, for 6142.	25
6145	1731	Roller Arm.	30
440F	1731	" " Adjusting Screw.	03
1547D	1731	" " " " Nut.	03

NO.	PLATE	NAME	EACH
2206	1731	Roller Arm Bracket.	\$ 20
316F	1731	" " " Screw Centre.	03
1547D	1731	" " " " " Nut.	03
2205	1731	" " Lock Spring.	04
176D	1731	" " " " Screw.	03
1549D	1731	" " " " " Nut.	03
6141	1731	Roller Presser complete, $\frac{7}{8}$ in. coarse roller, for $\frac{1}{32}$ in. to $\frac{1}{16}$ in. gauge, Nos. 176D, 440F, 1549D, 1868, 2205, 2206, 6145, two 316F and three 1547D.	1 05
6142	—	Roller Presser complete, $\frac{7}{8}$ in. fine roller, for $\frac{1}{32}$ in. to $\frac{1}{16}$ in. gauge, Nos. 176D, 440F, 1549D, 1841, 2205, 2206, 6145, two 316F and three 1547D.	1 05
NOTE. No. 6142 is sent with this machine unless another Roller Presser is specified on order.			
190D	750	Roller Presser Screw.	03
652D	1731	" Screw.	08
1528D	1731	" " Nut.	03
2073	217	Shuttle Bobbin.	05
2211	217	" " Retaining Spring.	03
2212	217	" " " " Rivet,	
per 100.			
25			
*6058	—	Shuttle Body with 398E, 2082, 2084, 2211 and two 2212.	55
*2075	—	Shuttle Cover.	35
2076	217	" " Hinge Pin.	01
2078	217	" Delivery Eye Thread Guard	03
2080	217	" " " " Rivet.	01
2082	217	Shuttle Main Spring.	10
398E	217	" " " Screw.	02
2084	217	" " " Steady Pin.	01
466H	217	" Tension Regulating Screw.	04
2086	217	" " Spring.	03
2090	217	" " " Plate.	05
112D	217	" " " " Screw.	02
6028	217	Shuttle (high point) complete, Nos. 112D, 466H, 2073, 2075, 2076, 2078, 2080, 2086, 2090 and 6058.	1 00
6147	732	Shuttle Driver.	75
2049	748	" " Pin.	01
6168	—	" Race Ring.	1 05
17408	1732	" " " 6168 with 17410 and two 590D.	1 35
17409	—	Shuttle Race Ring 17408 with 6150.	1 60

From the Library of the Patent and Needle Co.

NO.	PLATE	NAME	EACH
6150	1732	Shuttle Race Ring Cap with 6151 and two 8505.....	\$ 25
6151	1732	Shuttle Race Ring Cap Hinge.....	05
8505	1732	" " " " " Rivet, per 100.....	10
7177	1732	Shuttle Race Ring Cap Spring.....	03
330D	742	" " " " " Screw.....	02
198D	1732	" " " " " Screw.....	02
17410	1732	" " " " " Thread Protector	25
590D	1732	" " " " " " "	
		Screw.....	02
2102	748	Tension Disc.....	05
1560C	1737	" " " " " Regulating Thumb Nut.....	04
3267	739	" " " " " Releaser.....	25
5613	748	" " " " " Pin.....	01
809F	750	" " " " " Screw Stud.....	15
808F	750	" " " " " Set Screw.....	03
2103	748	" " " " " Spring.....	03
4377	748	" " " " " Thread Eyelet (double).....	03
330D	742	" " " " " Screw.....	02
2410	748	Thread Guiding Roller.....	25
86D	750	" " " " " Screw.....	05
2411	748	" " " " " Stud.....	10
448C	742	" " " " " Set Screw.....	03
2105	748	" " " " " Thread Guard.....	03
3071	1706	" " " " " Take-up Cam (steel) with 446C.....	1 25
3012	748	" " " " " Pin.....	01
446C	750	" " " " " Set Screw.....	03
3281	743	" " " " " Lever with 1819.....	65
76C	743	" " " " " Hinge Screw.....	06
1819	743	" " " " " Roller and Stud.....	20
2248	748	" " " " " Spring.....	03
2127	748	" " " " " Regulator Plate	03
233D	742	" " " " " " "	
		Adjusting Screw.....	02
17398	1719	Throat Plate for 6157.....	60
17411	1719	" " " " " 17404.....	75
756D	750	" " " " " Screw.....	02
6053	1705	Drip Pan.....	05

LIST OF PARTS COMPLETE

FOR

MACHINE NO. 19-5

TWO NEEDLES, TWO SHUTTLES, DROP FEED, GAUGES FROM $\frac{3}{32}$ INCH TO $\frac{5}{16}$ INCH, CLOTH.

NO.	PLATE	NAME	EACH
*6801	—	Arm with 122D, 283D and 7248.....	\$6 00
2117	748	" Dowel Pin.....	01
4448	748	" Oil Tube for intermediate bearing.....	06
123E	750	" Screw.....	06
*7248	—	" Side Plate.....	75
122D	750	" " " " " Screw.....	05
283D	750	" " " " " Thumb Screw.....	10
6802	1705	" Shaft.....	1 50
3005	737	" " " " " Bushing.....	15
448C	742	" " " " " Set Screw.....	03
6803	737	" " " " " Collar with two 450F.....	25
450F	750	" " " " " Set Screw.....	02
6804	737	" " " " " Gear with 453C.....	30
2117	748	" " " " " Pin.....	01
453C	742	" " " " " Set Screw.....	02
144D	750	" " " " " Screw.....	08
3197	1704	" Spool Pin (horizontal).....	20
7234	737	Balance Wheel (power) 3 in. pulley, 4 1/4 in. outside diameter, with two 448C.....	75
7370	1729	Balance Wheel (stand) heavy rim, 3 in. pulley, with two 448C.....	75
2862	1729	Balance Wheel (stand) heavy rim, 3 in. pulley, for 3022D.....	75
448C	742	Balance Wheel Set Screw.....	03
6805	737	" " " " " Shaft.....	50
6806	737	" " " " " Gear with 453C.....	30
2022	748	" " " " " Pin.....	01
453C	742	" " " " " Set Screw.....	02
144D	750	" " " " " Screw.....	08
2139	1711	" " " " " Speed Pulley, 2 in. diam., with 451C.....	15
2140	1711	Balance Wheel Speed Pulley, 2 1/2 in. diam., with 437C.....	15
451C	1700	Balance Wheel Speed Pulley Set Screw for 2139.....	03

From the Library of Diamond Needle Corp

NO.	PLATE	NAME	EACH
437c	1700	Balance Wheel Speed Pulley Set Screw for 2140.....	\$ 04
256D	732	Clamp Stop Motion Clamp Screw.....	30
248F	1737	" " " " Stop Screw..	02
2020	732	" " " " Washer.....	05
*3023	—	" " " " Flanged Bushing	35
4933	732	" " " " " "	
		3023 with two 462c.....	35
2022	748	Clamp Stop Motion Flanged Bushing Pin.....	01
462c	743	Clamp Stop Motion Flanged Bushing Set Screw.....	02
3022D	—	Clamp Stop Motion complete, Nos. 248F, 256D, 2020 and 4933.....	75
6821	740	Cloth Plate, for $\frac{5}{32}$ in. to $\frac{3}{16}$ in. gauge, for general work.....	1 00
6822	740	Cloth Plate, for $\frac{1}{4}$ in. to $\frac{5}{16}$ in. gauge, for general work.....	1 00
17305	740	Cloth Plate, for 6 in. round end, for $\frac{1}{4}$ in. to $\frac{5}{16}$ in. gauge, for general work.....	1 00
401D	750	Cloth Plate Screw.....	02
4292	738	Crank Connecting Rod with 4349 and two 158E.....	70
*4349	—	Crank Connecting Rod Cap.....	15
158E	750	" " " " Screw.....	03
375c	742	" " " " Hinge Screw.....	12
1518E	742	" " " " " " Nut	04
*6820	—	Cylinder, $2\frac{7}{16}$ in. diam.....	12 00
17309	737	Face Plate with Tension Bracket (solid)	90
17310	—	Face Plate complete, Nos. 86D, 330D, 448c, 808F, 809F, 2105, 2107, 2127, 2248, 2410, 2411, 4377, 17309, two each 233D, 1560c, 2103 and four 2102	2 00
164D	750	Face Plate Screw.....	04
2107	748	" " " " Thread Guard.....	02
233D	742	" " " " " " Screw.....	02
6807	738	Feed Cam with 446c.....	35
446c	750	" " " " Set Screw.....	03
3033	742	" " " " Connecting Link.....	20
375c	742	" " " " " " Hinge Screw.....	12
1518E	742	" " " " " " " " Nut	04
7021	744	" Dog, for $\frac{5}{32}$ in. to $\frac{11}{16}$ in. gauge..	60
7182	744	" " " " $\frac{3}{16}$ in. to $\frac{5}{16}$ in. gauge..	60
7183	744	" " " " $\frac{1}{4}$ in. to $\frac{5}{16}$ in. gauge.....	60
185H	750	" " " " " " " " Screw.....	02
6158	738	" Forked Connection.....	75
375c	742	" " " " " " Hinge Screw	12
1518E	742	" " " " " " " " Nut.....	04

NO.	PLATE	NAME	EACH
6132	742	Feed Forked Connection Universal Joint	\$ 25
23c	742	" " " " " " " "	
		Hinge Screw.....	15
5544	742	Feed Regulator Crank with two 448c...	25
448c	742	" " " " Set Screw.....	03
5545	742	" " " " Lever with 460c.....	35
5546	—	" " " " " 5545 with 330D and 5547.....	50
7958	2642	Feed Regulator Lever Pin.....	01
6815	742	" " " " " " Segment.....	30
330D	742	" " " " " " " " Screw..	02
460c	742	" " " " " " " " Set Screw.....	02
5547	742	" " " " " " " " Spring.....	03
330D	742	" " " " " " " " " " Screw....	02
238D	742	" " " " " " " " Stop Screw.....	02
286D	742	" " " " " " " " Thumb Screw..	10
5550	739	" " " " " " " " Shaft.....	15
6137	1706	" " " " " " " " Rock Shaft.....	50
16767	1706	" " " " " " " " " " Arm with 453c.....	75
212c	750	" " " " " " " " " " Cap Screw....	04
6166	748	" " " " " " " " " " Pin.....	01
453c	742	" " " " " " " " " " Set Screw....	02
300c	750	" " " " " " " " " " Screw Centre..	08
1513E	1737	" " " " " " " " " " " " Nut.....	05
6161	738	" " " " " " " " " " Rod.....	75
657c	750	" " " " " " " " " " Hinge Screw..	10
6162	742	" " " " " " " " " " Raising Block..	15
207D	742	" " " " " " " " " " " " Screw.....	02
16639	1722	" " " " " " " " " " Spring.....	02
233D	742	" " " " " " " " " " " " Screw.....	02
4344	739	Needle Bar.....	50
3045	743	" " " " " " " " " " Connecting Link.....	30
377c	743	" " " " " " " " " " " " H i n g e Screw.....	12
1518E	742	Needle Bar Connecting Link Hinge Screw Nut.....	04
2052	743	Needle Bar Connecting Stud with 155c. Set Screw..	25
155c	743	" " " " " " " " " " " " Set Screw..	03
3214	742	" " " " " " " " " " Guide with 400c and 453c..	25
400c	742	" " " " " " " " " " " " Adjusting Screw....	02
453c	742	" " " " " " " " " " " " Set Screw.....	02
290E	750	" " " " " " " " " " " " Screw Bushing.....	06
17329	748	" " " " " " " " " " Clamp with two 460F.....	60
2273	748	" " " " " " " " " " " " Pin.....	01
460F	742	" " " " " " " " " " " " Set Screw.....	02
6022	738	Oscillating Rock Shaft (steel) with 4784	1 00
3052	1711	" " " " " " " " " " Hinge Pin.....	50
1513E	1737	" " " " " " " " " " " " Nut....	05

From the library of: Diamond Needle Corp.

PARTS FOR MACHINE NO. 19-5

NO	PLATE	NAME	EACH
4784	743	Oscillating Rock Shaft Oil Pad	\$ 01
7044	739	" Shaft	40
*6520	—	" " Crank with 1813	50
6532	743	" " " 6520 with two 462C	50
2049	748	Oscillating Shaft Crank Pin	01
1813	743	" " " Roller and Stud	20
462C	743	" " " Set Screw	02
3054	739	Presser Bar	35
2062	743	" " Lifter	20
689C	743	" " " Screw	10
1520E	743	" " " Nut	03
5611	739	" " Lifting Bracket with 453C and 5613	25
453C	742	Presser Bar Lifting Bracket Set Screw	02
290E	750	" " Screw Bushing	06
3056	1711	" " Spring (heavy)	05
2308	739	" " " (light)	05
2070	748	" " " Washer	01
7250	746	" Foot (long shank) for general work	1 20
17325	746	Presser Foot, for inside stays (shoes)	1 50
17330	746	" " (short shank) for general work	1 00
17339	746	Presser Foot, slotted for tape	1 50
17340	746	" " with keel slotted for tape for staying	1 75
17374	746	Presser Foot, for shoe tips with guide on bottom to the right of needle holes	1 25
17375	746	Presser Foot, for inside stays, with groove in keel	1 50
18055	1702	Presser Foot Hinge Pin	01
17376	—	" " Plate	2 00
26505	—	" " Shank	1 00
17377	1721	Presser Foot (hinged) complete, plate rounded, for inside stays, Nos 17376, 18055 and 26505	3 00
17378	—	Presser Foot Joint	2 00
18055	1702	" " " Hinge Pin	01
17379	—	" " " Plate	2 00
11740	748	" " " Hinge Pin...per 100	10
26505	—	" " " Shank	1 00
17380	1721	Presser Foot (double, hinged) complete, for inside stays, Nos 11740, 17378, 17379, 18055 and 26505	5 00
17378	—	Presser Foot Joint	2 00
18055	1702	" " " Hinge Pin	01

PARTS FOR MACHINE NO. 19-5

NO.	PLATE	NAME	EACH
17381	—	Presser Foot Plate	\$2 00
11740	748	" " " Hinge Pin...per 100	10
26505	—	" " " Shank	1 00
17382	1721	Presser Foot (double, hinged) complete, grooved keel, for inside stays, Nos. 11740, 17378, 17381, 18055 and 26505	5 00
17383	1721	Presser Foot (spring presser)	2 50
17384	1721	" " " " Bracket with 465F	1 60
465F	1721	Presser Foot (spring presser) Bracket Set Screw	02
17385	1721	Presser Foot (spring presser) Guide with 735C	75
735C	1721	Presser Foot (spring presser) Guide Set Screw	02
4461	1721	Presser Foot (spring presser) Spring	02
4462	1721	" " " " " Screw Bushing	15
1607D	1721	Presser Foot (spring presser) Stop Nut	03
17386	—	Presser Foot (spring presser) complete, Nos 1607D, 4461, 4462 and 17383 to 17385	5 00
17391	—	Presser Foot Plate	2 50
18055	1702	" " " Hinge Pin	01
17392	—	" " " Shank	1 50
17393	1720	Presser Foot (hinged) with keel slotted for tape, for staying, complete, Nos. 17391, 17392 and 18055	4 00
190D	750	Presser Foot Screw	03
262E	750	Pressure Regulating Thumb Screw	25
2210	749	Shuttle (inside) Bobbin	05
3230	749	" " " Retaining Spring for 3232	05
2212	749	Shuttle (inside) Bobbin Retaining Spring Rivet for 3232...per 100	25
*3231	—	Shuttle (inside) Body with 398E, 2084 and 3239, for 6912	50
*3232	—	Shuttle (inside) Body with 398E, 2084, 3230, 3239 and two 2212, for 6913	55
*6945	—	Shuttle (inside) Cover	35
2076	749	" " " Hinge Pin	01
3238	749	" " " Delivery Eye Thread Guard	03
2080	749	Shuttle (inside) Delivery Eye Thread Guard Rivet	01
3239	749	Shuttle (inside) Main Spring	10
398E	749	" " " " " Screw	02

NO.	PLATE	NAME	EACH
2084	749	Shuttle (inside) Main Spring Steady Pin	\$ 01
466H	749	" " Tension Regulating Screw.....	04
3241	749	Shuttle (inside) Tension Spring.....	03
3242	749	" " " " Plate	05
112D	749	" " " " " Screw.....	02
6912	749	Shuttle (inside) closed eye, complete, Nos. 112D, 466H, 2076, 2080, 2210, 3231, 3238, 3241, 3242 and 6945.....	1 00
6913	749	Shuttle (inside) closed eye, complete, Nos. 112D, 466H, 2076, 2080, 2210, 3232, 3238, 3241, 3242 and 6945.....	1 00
2210	749	Shuttle (outside) Bobbin.....	05
3230	749	" " " Retaining Spring for 6928.....	05
2212	749	Shuttle (outside) Bobbin Retaining Spring Rivet for 6928.....per 100	25
*6914	—	Shuttle (outside) Body with 398E, 2084 and 3240, for 6880.....	50
*6928	—	Shuttle (outside) Body with 398E, 2084, 3230, 3240 and two 2212, for 6894....	55
*6944	—	Shuttle (outside) Cover.....	35
2076	749	" " " Hinge Pin.....	01
2078	749	" " " Delivery Eye Thread Guard.....	03
2080	749	Shuttle (outside) Delivery Eye Thread Guard Rivet.....	01
3240	749	Shuttle (outside) Main Spring.....	10
398E	749	" " " " Screw.....	02
2084	749	" " " " Steady Pin.....	01
466H	749	Shuttle (outside) Tension Regulating Screw.....	04
2086	749	Shuttle (outside) Tension Spring.....	03
2090	749	" " " " Plate	05
112D	749	" " " " " Screw.....	02
6880	749	Shuttle (outside) closed eye, complete, Nos. 112D, 466H, 2076, 2078, 2080, 2086, 2090, 2210, 6914 and 6944.....	1 00
6894	749	Shuttle (outside) closed eye, complete, Nos. 112D, 466H, 2076, 2078, 2080, 2086, 2090, 2210, 6928 and 6944.....	1 00
7138	749	Shuttle Driver.....	2 00
2049	748	" " Pin.....	01
17399	—	" Race Body (two pieces) with 629D and two 2049, for 7139 and 17401	5 00

NO	PLATE	NAME	EACH
17400	—	Shuttle Race Body (two pieces) with 629D and two 2049, for 17308 and 17402.....	\$5 00
2049	748	Shuttle Race Dowel Pin.....	01
629D	750	" " Hinge Screw.....	04
6223	748	" " Latch Pin.....	10
400F	742	" " " " Screw.....	02
6224	748	" " " " Spring.....	03
7154	747	" " Loop Separator, for $\frac{3}{32}$ in. to $\frac{1}{16}$ in. gauge, for 7139 and 17308..	1 00
7159	747	Shuttle Race Loop Separator, for $\frac{1}{16}$ in. to $\frac{5}{16}$ in. gauge, for 17401 and 17402	50
240D	1701	Shuttle Race Loop Separator Screw ...	02
17307	747	" " Position Plate for 17308 and 17402.....	20
233D	742	Shuttle Race Position Plate Screw for 17308 and 17402.....	02
7139	747	Shuttle Race without Position Plate complete, for $\frac{3}{32}$ in. to $\frac{1}{16}$ in. gauge, Nos. 7154, 17399 and two 240D.....	5 00
17308	747	Shuttle Race with Position Plate complete, for $\frac{3}{32}$ in. to $\frac{1}{16}$ in. gauge, Nos. 7154, 17307, 17400 and two each 233D and 240D.....	5 00
17401	—	Shuttle Race without Position Plate complete, for $\frac{1}{16}$ in. to $\frac{5}{16}$ in. gauge, Nos. 7159, 17399 and two 240D.....	5 00
17402	—	Shuttle Race with Position Plate complete, for $\frac{1}{16}$ in. to $\frac{5}{16}$ in. gauge, Nos. 7159, 17307, 17400 and two each 233D and 240D.....	5 00
738D	750	Shuttle Race Screw.....	05
2102	748	Tension Disc.....	05
1560C	1737	" Regulating Thumb Nut.....	04
3267	739	" Releaser.....	25
5613	748	" " Pin.....	01
809F	750	" Screw Stud.....	15
808F	750	" " Set Screw.....	03
2103	748	" Spring.....	03
4377	748	" Thread Eyelet (double).....	03
330D	742	" " " Screw.....	02
2410	748	Thread Guiding Roller.....	25
86D	750	" " " Screw.....	05
2411	748	" " " Stud.....	10
448C	742	" " " Set Screw.....	03
2105	748	" " " Thread Guard..	03
3280	737	Thread Take-up Cam (steel) with 446C.	1 25

NO.	PLATE	NAME	EACH
3012	748	Thread Take-up Cam Pin.....	\$ 01
446C	750	" " " Set Screw	03
3281	743	" " Lever with 1819.....	65
76C	743	" " " Hinge Screw ..	06
1819	743	" " " Roller and Stud	20
2248	748	" " Spring	03
2127	748	" " " Regulator Plate	03
233D	742	" " " " " "	
		Adjusting Screw	02
7188	744	Throat Plate for 7182.....	60
7184	744	" " " 7021.....	60
7178	744	" " " 7183.....	60
756D	750	" " Screw.....	02
6053	1705	Drip Pan.....	05

LIST OF PARTS COMPLETE

FOR

MACHINE NO. 19-8

C. B., DROP FEED. OVERSEAMING CLOTH OR LEATHER.

NO	PLATE	NAME	EACH
*7055	—	Arm with 122D, 283D and 7248.....	\$7 00
2117	748	" Dowel Pin.....	01
123E	750	" Screw.....	06
*7248	—	Side Plate.....	75
122D	750	" " " Screw.....	05
283D	750	" " " Thumb Screw.....	10
17332	1709	" Shaft.....	1 50
3005	737	" " Bushing.....	15
448C	742	" " " Set Screw.....	03
6803	737	" " Collar with two 450F.....	25
450F	750	" " " Set Screw.....	02
6804	737	" " Gear with 453C.....	30
2117	748	" " Pin.....	01
453C	742	" " " Set Screw.....	02
144D	750	" " Screw.....	08
12403	1722	" Spool Pin and Thread Eyelet.....	05
8879	1722	" " " Washer (cloth).....	01
7234	737	Balance Wheel (power) 3 in. pulley, 4 1/4 in outside diameter, with two 448C.....	75

NO.	PLATE	NAME	EACH
7370	1729	Balance Wheel (stand) heavy rim, 3 in pulley, with two 448C.....	\$ 75
2862	1729	Balance Wheel (stand) heavy rim, 3 in pulley, for 3022D	75
448C	742	Balance Wheel Set Screw	03
6805	737	" " Shaft	50
6806	737	" " " Gear with 453C ..	30
2022	748	" " " " Pin	01
453C	742	" " " " Set Screw ..	02
144D	750	" " " Screw	08
2139	1711	" " Speed Pulley, 2 in diam., with 451C.....	15
2140	1711	Balance Wheel Speed Pulley, 2 1/4 in. diam., with 437C	15
451C	1700	Balance Wheel Speed Pulley Set Screw for 2139.....	03
437C	1700	Balance Wheel Speed Pulley Set Screw for 2140.....	04
256D	732	Clamp Stop Motion Clamp Screw.....	30
248F	1737	" " " " Stop Screw ..	02
2020	732	" " " " Washer	05
*3023	—	" " " Flanged Bushing	35
4933	732	" " " " " "	
		3023 with two 462C.....	35
2022	748	Clamp Stop Motion Flanged Bushing Pin.....	01
462C	743	Clamp Stop Motion Flanged Bushing Set Screw	02
3022D	—	Clamp Stop Motion complete, Nos 248F, 256D, 2020 and 4933.....	75
7056	731	Cloth Plate.....	1 00
401D	750	" " Screw	02
4292	738	Crank Connecting Rod with 4349 and two 158E.....	70
*4349	—	Crank Connecting Rod Cap.....	15
158E	750	" " " " Screw	03
375C	742	" " " " Hinge Screw ..	12
1518E	742	" " " " " Nut	04
*7057	—	Cylinder, 2 1/4 in diam	15 00
17341	1711	Face Plate	50
17342	—	Face Plate complete, Nos 233D, 448C, 460C, 600F, 1560C, 2103, 2105, 2111, 2124, 2127, 2269, 4369, 17341 and two 2102.....	1 25
175D	1737	Face Plate Screw	02
6807	738	Feed Cam with 446C.....	35
446C	750	" " Set Screw.....	03

NO	PLATE	NAME	EACH
3033	742	Feed Connecting Link	\$ 20
375C	742	" " " Hinge Screw	12
1518E	742	" " " " " Nut	04
7091	734	" Dog	1 50
185H	750	" " Screw	02
6158	738	" Forked Connection	75
375C	742	" " " Hinge Screw	12
1518E	742	" " " " " Nut	04
6132	742	Feed Forked Connection Universal Joint	25
23C	742	" " " " " Hinge Screw	15
283D	750	Feed Regulating Thumb Screw	10
6813	1714	" Regulator Arm with 462C	25
7958	2642	" " " Pin	01
462C	743	" " " Set Screw	02
5544	742	" " Crank with two 448C	25
448C	742	" " " Set Screw	03
6814	1714	" " Shaft	15
2269	748	" " Stop Pin	01
6137	1706	" Rock Shaft	50
16767	1706	" " " Arm with 453C	75
212C	750	" " " Cap Screw	04
6166	748	" " " " Pin	01
453C	742	" " " " Set Screw	02
300C	750	" " " Screw Centre	08
1513E	1737	" " " " " Nut	05
6161	738	" Rod	75
657C	750	" " Hinge Screw	10
6162	742	" " Raising Block	15
207D	742	" " " Screw	02
16639	1722	" " Spring	02
233D	742	" " " Screw	02
7060	1710	Needle Bar	50
3045	743	" " Connecting Link	30
377C	743	" " " " H i n g e Screw	12
1518E	742	Needle Bar Connecting Link Hinge Screw Nut	04
2052	743	Needle Bar Connecting Stud with 155C	25
155C	743	" " " " Set Screw	03
7061	1710	" " Frame	1 00
15972	1725	" " " Cam and Bevel Gear (steel) 36 teeth	3 00
7290	1730	Needle Bar Frame Cam and Bevel Gear Cover	25
190D	750	Needle Bar Frame Cam and Bevel Gear Cover Screw	03

NO.	PLATE	NAME	EACH
15D	1700	Needle Bar Frame Cam and Bevel Gear Screw Stud	\$ 15
17345	1713	Needle Bar Frame Driving Bevel Pinion, 18 teeth, with two 453C	30
453C	742	Needle Bar Frame Driving Bevel Pinion Set Screw	02
7293	1730	Needle Bar Frame Pitman	30
646F	1737	" " " " Hinge Screw	02
7068	1714	" " " " " Stud	15
620C	1737	" " " " " " Stop Screw	02
17320	1713	Needle Bar Frame Regulator with 1877 and two 226D	85
549C	1713	Needle Bar Frame Regulator Adjusting Screw Stud	10
7070	1713	Needle Bar Frame Regulator Adjusting Screw Stud Sleeve	10
226D	1713	Needle Bar Frame Regulator Adjusting Screw Stud Stop Screw	02
1538D	1713	Needle Bar Frame Regulator Adjusting Thumb Nut	06
1877	1713	Needle Bar Frame Regulator Roller and Screw Stud	25
7577	1713	Needle Bar Frame Regulator Shaft	10
6533	1713	" " " " " Collar with 460C	25
460C	742	Needle Bar Frame Regulator Shaft Collar Set Screw	02
7298	1713	Needle Bar Frame Regulator Shaft Pin, per 100	10
577C	1700	Needle Bar Frame Screw Centre (lower)	06
1517E	1737	" " " " " " Nut	04
673F	1700	Needle Bar Frame Screw Centre (upper)	08
1517D	1737	" " " " " " Nut	04
7072	1714	Needle Bar Thread Guard	01
233D	742	" " " " " Screw	02
336F	1737	" Set Screw	02
6022	738	Oscillating Rock Shaft (steel) with 4784	1 00
3052	1711	" " " " Hinge Pin	50
1513E	1737	" " " " " Nut	05
4784	743	" " " " Oil Pad	01
7044	739	" Shaft	40
*17343	---	" " Crank with 1813	50
17344	1715	" " " 17343 with two 462C	50

NO.	PLATE	NAME	EACH
2049	748	Oscillating Shaft Crank Pin.....	\$ 01
1813	743	" " " Roller and Stud	20
462C	743	" " " Set Screw	02
3054	739	Presser Bar.....	35
2062	743	" " Lifter	20
689C	743	" " " Screw	10
1520E	743	" " " " Nut	03
5612	1711	" " Lifting Bracket with 453C ..	25
453C	742	" " " " Set Screw ..	02
3056	1711	" " Spring (heavy)	05
2308	739	" " " (light)	05
2070	748	" " " Washer	01
7073	734	" Foot (plain)	2 00
7075	734	" " Body	2 25
7076	734	" " Separating Blade	50
7077	734	" " " " Adjust- ing Stud	05
714D	1737	Presser Foot Separating Blade Adjusting Stud Thumb Screw	05
111D	1737	Presser Foot Separating Blade Hinge Screw.....	03
7078	734	Presser Foot Separating Blade Lever	25
7079	734	" " " " " "	25
337D	1702	Presser Foot Separating Blade Lever Bracket Screw	02
7074	734	Presser Foot with Separating Blade complete, for joining two edges, Nos. 111D, 337D, 714D and 7075 to 7079 ..	3 50
190D	750	Presser Foot Screw	03
713F	1700	Pressure Regulating Thumb Screw....	25
2996	1736	Shuttle Bobbin	05
16091	1733	" " Case Latch	10
16027	1733	" " " " Lever.....	10
2974	1736	" " " " " Ful- crum Pin	per 100 10
2975	1736	Shuttle Bobbin Case Latch Spring.....	02
592E	1736	" " " " Stop Screw..	02
16092	—	" " " Hinge, Nos 2974, 16027 and 16091	25
15258	1733	Shuttle Bobbin Case Position Finger	05
7048	1712	" " " " " "	75
198D	1732	Shuttle Bobbin Case Position Finger Plate (two pieces) for 7089.....	75
2523	1736	Shuttle Bobbin Case Position Finger Plate Screw	02
15148	1733	Shuttle Bobbin Case Position Finger Rivet	per 100 25
		Shuttle Bobbin Case complete, Nos. 591F, 592E, 2523, 2975, 12499, 15258 and 16092.....	85

NO	PLATE	NAME	EACH
7085	1733	Shuttle Body	\$ 90
591F	1736	" Tension Regulating Screw	02
12499	1733	" " Spring.....	10
15126	1733	Shuttle, 1 1/16 in. diam., Nos. 2996, 7085 and 15148.....	1 75
7173	1715	Shuttle Driver	75
2049	748	" " Pin.....	01
7088	1713	" Race Ring with two 2269	1 00
7089	—	" " " 7088 with 7048, 7090 and two each 198D and 665D.....	2 25
7053	1712	Shuttle Race Ring Cap	30
7049	—	" " " " 7053 with 7050 and two 26092	50
7050	1712	Shuttle Race Ring Cap Holder.....	20
2269	748	" " " " " Pin.....	01
26092	748	" " " " " Rivet..... per 100	15
198D	1732	Shuttle Race Ring Screw.....	02
7090	1713	" " " " Thread Protector	50
665D	1737	" " " " " " Screw.....	02
2102	748	Tension Disc	05
1560C	1737	" Regulating Thumb Nut.....	04
4369	1722	" Releaser	15
2269	748	" " Hinge Pin	01
600F	1700	" Screw Stud	10
448C	742	" " " Set Screw	03
2103	748	" Spring.....	03
2105	748	" Thread Guard	03
2112	1722	Thread Retaining Disc with 2113.....	05
2113	1722	" " " Steady Pin.....	01
2114	1722	" " Spring	01
2115	1722	" " Stud.....	07
460C	742	" " " Set Screw.....	02
2111	1722	Thread Retainer Guide complete, Nos. 2112, 2114 and 2115	15
3182	1725	Thread Take-up Cam (steel) with 446C.	1 25
3012	748	" " " Pin.....	01
446C	750	" " " Set Screw	03
4286	1722	" " Lever with 1819.....	60
76C	743	" " Hinge Screw	06
1819	743	" " " Roller and Stud	20
2124	1722	" " Spring	03
2127	748	" " " Regulator Plate	03
233D	742	" " " " " " Adjusting Screw	02
7087	734	Throat Plate for 7091.....	1 25
401D	750	" " Screw.....	02
6053	1705	Drip Pan.....	05

From the library of: Diamond Needle Corp.

**LIST OF PARTS COMPLETE
FOR
MACHINE NO. 19-9**

C. B., DROP FEED, CYLINDER BED 1³/₁₆ INCH DIAMETER AT END.

NO.	PLATE	NAME	EACH
*6801	—	Arm with 122D, 283D and 7248.....	\$6 00
2117	748	" Dowel Pin	01
4448	748	" Oil Tube for intermediate bearing..	06
123E	750	" Screw	06
*7248	—	" Side Plate	75
122D	750	" " " Screw	05
283D	750	" " " Thumb Screw	10
6802	1705	" Shaft	1 50
3005	737	" " Bushing	15
448C	742	" " " Set Screw	03
6803	737	" " Collar with two 450F	25
450F	750	" " " Set Screw	02
6804	737	" " Gear with 453C	30
2117	748	" " " Pin	01
453C	742	" " " Set Screw	02
144D	750	" " Screw	08
12403	1722	" Spool Pin and Thread Eyelet	05
8879	1722	" " " Washer (cloth)	01
7234	737	Balance Wheel (power) 3 in pulley, 4 ¹ / ₄ in outside diameter, with two 448C	75
7370	1729	Balance Wheel (stand) heavy rim, 3 in pulley, with two 448C	75
2862	1729	Balance Wheel (stand) heavy rim, 3 in pulley, for 3022D	75
448C	742	Balance Wheel Set Screw	03
6805	737	" " Shaft	50
6806	737	" " " Gear with 453C	30
2022	748	" " " " Pin	01
453C	742	" " " " Set Screw	02
144D	750	" " " " Screw	08
2139	1711	" " " Speed Pulley, 2 in. diam., with 451C	15
2140	1711	Balance Wheel Speed Pulley, 2 ¹ / ₂ in. diam., with 437C	15
451C	1700	Balance Wheel Speed Pulley Set Screw for 2139	03

PARTS FOR MACHINE NO. 19-9

NO.	PLATE	NAME	EACH
437C	1700	Balance Wheel Speed Pulley Set Screw for 2140	\$ 04
256D	732	Clamp Stop Motion Clamp Screw	30
248F	1737	" " " " Stop Screw	02
2020	732	" " " " Washer	05
*3023	—	" " " " Flanged Bushing	35
4933	732	" " " " " "	35
2022	748	3023 with two 462C	01
462C	743	Clamp Stop Motion Flanged Bushing Pin	02
3022D	—	Clamp Stop Motion complete, Nos 248F, 256D, 2020 and 4933	75
17347	1709	Cloth Plate	1 40
17348	1709	" " Bracket with 345C	35
345C	1700	" " " Screw	10
17349	—	Cloth Plate with Bracket complete, Nos 17347, 17348 and two 389F	1 75
389F	1737	Cloth Plate Screw	04
4292	738	Crank Connecting Rod with 4349 and two 158E	70
*4349	—	Crank Connecting Rod Cap	15
158E	750	" " " " Screw	03
375C	742	" " " " Hinge Screw	12
1518E	742	" " " " " " Nut	04
*17314	—	Cylinder (low) 1 ³ / ₁₆ in diam	10 00
*17315	—	" 17314 with 7100 and three 180D	14 50
4343	1725	Face Plate	50
164D	750	" " Screw	04
2107	748	" " Thread Guard	02
233D	742	" " " " Screw	02
6807	738	Feed Cam with 446C	35
446C	750	" " Set Screw	03
3033	742	" Connecting Link	20
375C	742	" " " " Hinge Screw	12
1518E	742	" " " " " " Nut	04
7106	736	" Dog, for leather	35
7105	735	" " " cloth	35
17346	1716	" " "	40
17352	1718	" " "	60
185H	750	" " Screw	02
6158	738	" Forked Connection	75
375C	742	" " " " Hinge Screw	12
1518E	742	" " " " " "	04
6132	742	Nut	25
23C	742	Feed Forked Connection Universal Joint " " " " " "	15
		Hinge Screw	15

From the library of Diamond Needle Corp

NO	PLATE	NAME	EACH
5544	742	Feed Regulator Crank with two 448C...	\$ 25
448C	742	" " " Set Screw	03
5545	742	" " Lever with 460C	35
5546	—	" " " 5545 with 330D and 5547	50
7958	2642	Feed Regulator Lever Pin	01
6815	742	" " " Segment	30
330D	742	" " " " Screw	02
460C	742	" " " Set Screw	02
5547	742	" " " Spring	03
330D	742	" " " " Screw	02
238D	742	" " " Stop Screw	02
286D	742	" " " Thumb Screw	10
5550	739	" " Shaft	15
6137	1706	" Rock Shaft	50
16767	1706	" " " Arm with 453C	75
212C	750	" " " Cap Screw	04
6166	748	" " " Pin	01
453C	742	" " " Set Screw	02
300C	750	" " " Screw Centre	08
1513E	1737	" " " " Nut	05
17317	1711	" Rod	75
657C	750	" Hinge Screw	10
17318	1714	" Raising Block	15
207D	742	" " " Screw	02
16639	1722	" " Spring	02
233D	742	" " " Screw	02
3044	1730	Needle Bar	40
3045	743	" Connecting Link	30
377C	743	" " " H i n g e Screw	12
1518E	742	Needle Bar Connecting Link Hinge Screw Nut	04
2052	743	Needle Bar Connecting Stud with 155C.	25
155C	743	" " " Set Screw	03
290E	750	" " Screw Bushing	06
2166	1734	" " Thread Guard	01
233D	742	" " " Screw	02
2167	1734	" Clamp with 196F	17
196F	1722	" " Screw	02
6022	738	Oscillating Rock Shaft (steel) with 4784	1 00
3052	1711	" " " Hinge Pin	50
1513E	1737	" " " " Nut	05
4784	743	" " " Oil Pad	01
7044	739	" Shaft	40
*2416	—	" Crank with 1813	50
2511	1735	" " " 2416 with two 462C	50

NO.	PLATE	NAME	EACH
2049	748	Oscillating Shaft Crank Pin	\$ 01
1813	743	" " " Roller and Stud	20
462C	743	" " " Set Screw	02
3054	739	Presser Bar	35
2062	743	" " Lifter	20
689C	743	" " " Screw	10
1520E	743	" " " " Nut	03
5608	1710	" " Lifting Bracket with 453C	25
453C	742	" " " Set Screw	02
290E	750	" " Screw Bushing	06
3056	1711	" " Spring (heavy)	05
2308	739	" " " (light)	05
2070	748	" " " Washer	01
17353	1718	" Foot for 17352	60
7231	734	" " inside stays	75
190D	750	" " Screw	03
262E	750	Pressure Regulating Thumb Screw	25
1868	1731	Roller, 7/8 in. diam., coarse, with 652D and 1528D, for 6141	25
1841	—	Roller, 7/8 in. diam., fine, with 652D and 1528D, for 6142	25
1839	1731	Roller, 1 1/4 in. diam., coarse, with 386D and 1528D, for 6143	40
1869	—	Roller, 1 1/4 in. diam., fine, with 386D and 1528D, for 6144	40
6145	1731	Roller Arm for 6141 and 6142	30
6146	1731	" " " 6143 and 6144	30
440F	1731	" " Adjusting Screw	03
1547D	1731	" " " Nut	03
2206	1731	" " Bracket for 6141 and 6142	20
4282	1731	" " " " 6143 and 6144	20
316F	1731	" " " Screw Centre	03
1547D	1731	" " " " Nut	03
2205	1731	" " Lock Spring	04
176D	1731	" " " " Screw	03
1549D	1731	" " " " Nut	03
6141	1731	Roller Presser complete, 7/8 in coarse roller, Nos. 176D, 440F, 1549D, 1868, 2205, 2206, 6145, two 316F and three 1547D	1 05
6142	—	Roller Presser complete, 7/8 in fine roller, Nos. 176D, 440F, 1549D, 1841, 2205, 2206, 6145, two 316F and three 1547D	1 05
NOTE No. 6142 is sent with this machine unless another Roller Presser is specified on order.			
6143	1731	Roller Presser complete, 1 1/4 in. coarse roller, Nos 176D, 440F, 1549D, 1839, 2205, 4282, 6146, two 316F and three 1547D	1 20

From Library of: Diamond Speed Corp.

PARTS FOR MACHINE NO. 19-9

NO.	PLATE	NAME	EACH
6144	—	Roller Presser complete, 1¼ in fine roller, Nos 176D, 440F, 1549D, 1869, 2205, 4282, 6146, two 316F and three 1547D.....	\$1 20
190D	750	Roller Presser Screw.....	03
652D	1731	" Screw for 1841 and 1868.....	08
386D	1731	" " " 1839 and 1869.....	08
1528D	1731	" " Nut.....	03
2996	1736	Shuttle Bobbin.....	05
16091	1733	" " Case Latch.....	10
16027	1733	" " " " Lever.....	10
2974	1736	" " " " " Fulcrum Pin.....per 100	10
2975	1736	Shuttle Bobbin Case Latch Spring.....	02
592E	1736	" " " " Stop Screw..	02
16092	—	" " " " Hinge, Nos. 2974, 16027 and 16091.....	25
17312	1715	Shuttle Bobbin Case Position Finger	05
2523	1736	" " " " " Rivet.....per 100	25
17324	1715	Shuttle Bobbin Case complete, Nos. 591F, 592E, 2523, 2975, 12499, 16092 and 17312.....	85
7098	1715	Shuttle Body.....	90
591F	1736	" Tension Regulating Screw.....	02
12499	1733	" " Spring.....	10
17313	1715	Shuttle, 1½ in. diam., Nos. 2996, 7098 and 17324.....	1 75
7099	732	Shuttle Driver.....	75
2049	748	" " Pin.....	01
7101	731	" Race Body.....	2 75
7102	731	" " Ring.....	1 75
750D	1737	" " " Screw.....	03
7100	—	Shuttle Race complete, Nos. 7101, 7102 and four 750D.....	4 50
180D	750	Shuttle Race Screw.....	03
2102	748	Tension Disc.....	05
1560C	1737	" Regulating Thumb Nut.....	04
4369	1722	" Releaser.....	15
2269	748	" " Hinge Pin.....	01
600F	1700	" Screw Stud.....	10
448C	742	" " " Set Screw.....	03
2103	748	" Spring.....	03
2105	748	" Thread Guard.....	03
2112	1722	Thread Retaining Disc with 2113.....	05
2113	1722	" " " Steady Pin.....	01
2114	1722	" " " Spring.....	01

PARTS FOR MACHINE NO. 19-9

NO.	PLATE	NAME	EACH
2115	1722	Thread Retaining Stud.....	\$ 07
460C	742	" " " Set Screw.....	02
2111	1722	Thread Retainer Guide complete, Nos. 2112, 2114 and 2115.....	15
3182	1725	Thread Take-up Cam (steel) with 446C.	1 25
3012	748	" " " Pin.....	01
446C	750	" " " Set Screw.....	03
3072	1735	" " Lever with 1819.....	60
76C	743	" " " Hinge Screw.....	06
1819	743	" " " Roller and Stud.	20
2124	1722	" " Spring.....	03
2127	748	" " " Regulator Plate	03
233D	742	" " " " " Adjusting Screw.....	02
7104	735	Throat Plate for 7106.....	1 00
7103	735	" " " 7105.....	1 00
7230	1716	" " " 17346.....	1 00
17354	1718	" " " 17352.....	1 25
401D	750	" " Screw (back).....	02
220D	1737	" " " (front).....	02
6053	1705	Drip Pan.....	05

From the library of: Diamond Needle Corp

**LIST OF PARTS COMPLETE
FOR
MACHINE NO. 19-10**

**C. B., DROP FEED UP ARM, CYLINDER BED 1³/₁₆ INCH D'AMETER,
OVERSEAMING.**

NO.	PLATE	NAME	EACH
*7055	---	Arm with 122D, 283D and 7248.	\$7 00
2117	748	" Dowel Pin.	01
123E	750	" Screw.	06
*7248	---	" Side Plate.	75
122D	750	" " " Screw.	05
283D	750	" " " Thumb Screw.	10
17332	1709	" Shaft.	1 50
3005	737	" " Bushing.	15
448C	742	" " " Set Screw.	03
6803	737	" " Collar with two 450F.	25
450F	750	" " " Set Screw.	02
6804	737	" " Gear with 453C.	30
2117	748	" " " Pin.	01
453C	742	" " " Set Screw.	02
144D	750	" " Screw.	08
12403	1722	" Spool Pin and Thread Eyelet.	05
8879	1722	" " " Washer (cloth).	01
7234	737	Balance Wheel (power) 3 in. pulley, 4 1/4 in. outside diameter, with two 448C	75
7370	1729	Balance Wheel (stand) heavy rim, 3 in. pulley, with two 448C.	75
2862	1729	Balance Wheel (stand) heavy rim, 3 in. pulley, for 3022D.	75
448C	742	Balance Wheel Set Screw.	03
6805	737	" " Shaft.	50
6806	737	" " " Gear with 453C.	30
2022	748	" " " " Pin.	01
453C	742	" " " " Set Screw.	02
144D	750	" " " Screw.	08
2139	1711	" " Speed Pulley, 2 in. diam., with 451C.	15
2140	1711	Balance Wheel Speed Pulley, 2 1/2 in. diam., with 437C.	15
451C	1700	Balance Wheel Speed Pulley Set Screw for 2139.	03
437C	1700	Balance Wheel Speed Pulley Set Screw for 2140.	04

PARTS FOR MACHINE NO. 19-10

NO.	PLATE	NAME	EACH
256D	732	Clamp Stop Motion Clamp Screw.	\$ 30
248F	1737	" " " " Stop Screw.	02
2020	732	" " " " Washer.	05
*3023	---	" " " " Flanged Bushing	35
4933	732	" " " " " "	35
2022	748	3023 with two 462C.	01
462C	743	Clamp Stop Motion Flanged Bushing Pin.	02
3022D	---	Clamp Stop Motion Flanged Bushing Set Screw.	75
4292	738	Clamp Stop Motion complete, Nos. 248F, 256D, 2020 and 4933.	70
*4349	---	Crank Connecting Rod with 4349 and two 158E.	15
158E	750	Crank Connecting Rod Cap.	03
375C	742	" " " " Screw.	12
1518E	742	" " " " Hinge Screw.	04
*17314	---	" " " " Nut	10 00
*17316	---	Cylinder (low) 1 ³ / ₁₆ in diam 17314 with 7113 and three 180D.	14 50
17341	1711	Face Plate	50
17342	---	Face Plate complete, Nos 233D, 448C, 460C, 600F, 1560C, 2103, 2105, 2111, 2124, 2127, 2269, 4369, 17341 and two 2102.	1 25
175D	1737	Face Plate Screw.	02
6807	738	Feed Cam with 446C.	35
446C	750	" " Set Screw.	03
3033	742	" " Connecting Link	20
375C	742	" " " " Hinge Screw.	12
1518E	742	" " " " " " Nut	04
7118	733	" " " " " " "	1 50
7119	733	" " " " " " "	1 50
7235	1717	" " " " " " "	02
185H	750	" " " " " " "	75
6158	738	" " " " " " "	12
375C	742	" " " " " " "	04
1518E	742	" " " " " " "	04
6132	742	Nut.	25
23C	742	Feed Forked Connection Universal Joint	15
283D	750	" " " " " " "	10
6813	1714	Hinge Screw.	25
795S	2642	Feed Regulating Thumb Screw.	01
462C	743	" " " " " " "	02
5544	742	" " " " " " "	25

NO.	PLATE	NAME	EACH
448C	742	Feed Regulator Crank Set Screw.....	\$ 03
6814	1714	" " Shaft.....	15
2269	748	" " Stop Pin.....	01
6137	1706	" Rock Shaft.....	50
16767	1706	" " " Arm with 453C.....	75
212C	750	" " " Cap Screw.....	04
6166	748	" " " Pin.....	01
453C	742	" " " Set Screw.....	02
300C	750	" " " Screw Centre.....	08
1513E	1737	" " " Nut.....	05
17317	1711	" Rod.....	75
657C	750	" " Hinge Screw.....	10
17318	1714	" " Raising Block.....	15
207D	742	" " " Screw.....	02
16639	1722	" " Spring.....	02
233D	742	" " " Screw.....	02
7060	1710	Needle Bar.....	50
3045	743	" " Connecting Link.....	30
377C	743	" " " H i n g e Screw.....	12
1518E	742	Needle Bar Connecting Link Hinge Screw Nut.....	04
2052	743	Needle Bar Connecting Stud with 155C.	25
155C	743	" " " Set Screw..	03
7061	1710	" " Frame.....	1 00
15972	1725	" " " Cam and Bevel Gear (steel) 36 teeth.....	3 00
7290	1730	Needle Bar Frame Cam and Bevel Gear Cover.....	25
190D	750	Needle Bar Frame Cam and Bevel Gear Cover Screw.....	03
15D	1700	Needle Bar Frame Cam and Bevel Gear Screw Stud.....	15
17345	1713	Needle Bar Frame Driving Bevel Pinion, 18 teeth, with two 453C.....	30
453C	742	Needle Bar Frame Driving Bevel Pinion Set Screw.....	02
7293	1730	Needle Bar Frame Pitman.....	30
646F	1737	" " " Hinge Screw	02
7068	1714	" " " " Stud	15
620C	1737	" " " " " Stop Screw.....	02
17320	1713	Needle Bar Frame Regulator with 1877 and two 226D.....	85
549C	1713	Needle Bar Frame Regulator Adjusting Screw Stud.....	10
7070	1713	Needle Bar Frame Regulator Adjusting Screw Stud Sleeve.....	10

NO.	PLATE	NAME	EACH
226D	1713	Needle Bar Frame Regulator Adjusting Screw Stud Stop Screw.....	\$ 02
1538D	1713	Needle Bar Frame Regulator Adjusting Thumb Nut.....	06
1877	1713	Needle Bar Frame Regulator Roller and Screw Stud.....	25
7577	1713	Needle Bar Frame Regulator Shaft	10
6533	1713	" " " " " Collar with 460C.....	25
460C	742	Needle Bar Frame Regulator Shaft Collar Set Screw.....	02
7298	1713	Needle Bar Frame Regulator Shaft Pin, per 100.....	10
577C	1700	Needle Bar Frame Screw Centre (lower)	06
1517E	1737	" " " " " Nut.....	04
673F	1700	Needle Bar Frame Screw Centre (upper)	08
1517D	1737	" " " " " Nut.....	04
7072	1714	Needle Bar Thread Guard.....	01
233D	742	" " " " Screw.....	02
336F	1737	" Set Screw.....	02
6022	738	Oscillating Rock Shaft (steel) with 4784	1 00
3052	1711	" " " Hinge Pin.....	50
1513E	1737	" " " " Nut..	05
4784	743	" " " Oil Pad.....	01
7044	739	" Shaft.....	40
*17343	-----	" " Crank with 1813.....	50
17344	1715	" " " 17343 with two 462C.....	50
2049	748	Oscillating Shaft Crank Pin.....	01
1813	743	" " " Roller and Stud	20
462C	743	" " " Set Screw.....	02
3054	739	Presser Bar.....	35
2062	743	" " Lifter.....	20
689C	743	" " " Screw.....	10
1520E	743	" " " Nut.....	03
5612	1711	" " Lifting Bracket with 453C..	25
453C	742	" " " Set Screw..	02
3056	1711	" " Spring (heavy).....	05
2308	739	" " " (light).....	05
2070	748	" " " Washer.....	01
7110	733	" Foot (plain) for 7116 and 7117.	2 00
7242	1717	" " for 7244.....	1 50
7243	1717	" " " 7245.....	2 00
7112	-----	" " Body.....	2 25
7076	734	" " Separating Blade.....	50

From the Library of the Diamond Needle Co.

NO.	PLATE	NAME	EACH
7077	734	Presser Foot Separating Blade Adjusting Stud.....	\$ 05
714D	1737	Presser Foot Separating Blade Adjusting Stud Thumb Screw.....	05
111D	1737	Presser Foot Separating Blade Hinge Screw.....	03
7078	734	Presser Foot Separating Blade Lever	25
7079	734	" " " " " "	25
337D	1702	Presser Foot Separating Blade Lever Bracket.....	02
7111	733	Presser Foot with Separating Blade complete, for joining two edges, Nos. 111D, 337D, 714D, 7076 to 7079 and 7112...	3 50
190D	750	Presser Foot Screw.....	03
713E	1700	Pressure Regulating Thumb Screw.....	25
2996	1736	Shuttle Bobbin.....	05
16091	1733	" " Case Latch.....	10
16027	1733	" " " " Lever.....	10
2974	1736	" " " " " Fulcrum Pin..... per 100	10
2975	1736	Shuttle Bobbin Case Latch Spring.....	02
592E	1736	" " " " Stop Screw..	02
16092	---	" " " Hinge, Nos. 2974, 16027 and 16091.....	25
17312	1715	Shuttle Bobbin Case Position Finger	05
2523	1736	" " " " " "	25
17324	1715	Shuttle Bobbin Case complete, Nos. 591F, 592E, 2523, 2975, 12499, 16092 and 17312.....	85
7098	1715	Shuttle Body.....	90
591F	1736	" Tension Regulating Screw.....	02
12499	1733	" " Spring.....	10
17313	1715	Shuttle, 1½ in. diam., Nos. 2996, 7098 and 17324.....	1 75
7099	732	Shuttle Driver.....	75
2049	748	" " Pin.....	01
7114	731	" Race Body.....	2 75
7115	731	" " Ring.....	1 75
750D	1737	" " " Screw.....	03
7113	---	Shuttle Race complete, Nos. 7114, 7115 and four 750D.....	4 50
180D	750	Shuttle Race Screw.....	03
2102	748	Tension Disc.....	05
1560C	1737	" Regulating Thumb Nut.....	04
4369	1722	" Releaser.....	15

NO.	PLATE	NAME	EACH
2269	748	Tension Releaser Hinge Pin.....	\$ 01
600F	1700	" Screw Stud.....	10
448C	742	" " " Set Screw.....	03
2103	748	" Spring.....	03
2105	748	" Thread Guard.....	03
2112	1722	Thread Retaining Disc with 2113.....	05
2113	1722	" " " Steady Pin.....	01
2114	1722	" " Spring.....	01
2115	1722	" " Stud.....	07
460C	742	" " " Set Screw.....	02
2111	1722	Thread Retainer Guide complete, Nos. 2112, 2114 and 2115.....	15
3182	1725	Thread Take-up Cam (steel) with 446C.....	1 25
3012	748	" " " Pin.....	01
446C	750	" " " Set Screw.....	03
4286	1722	" " Lever with 1819.....	60
76C	743	" " " Hinge Screw.....	06
1819	743	" " " Roller and Stud.....	20
2124	1722	" " Spring.....	03
2127	748	" " " Regulator Plate.....	03
233D	742	" " " " " "	02
7244	1717	Adjusting Screw.....	1 50
7245	1717	Throat Plate with 17319 for 7235.....	1 50
		" " " Separator and 17319 for 7235.....	2 00
7116	733	Throat Plate with 17319 for 7118.....	1 50
7117	733	" " " " " 7119.....	1 50
401D	750	" " Screw.....	02
10187	1734	" " Thread Catch.....	02
665D	1737	" " " Screw.....	02
*17319	---	" " " Guard.....	---
6053	1705	Drip Pan.....	05

**LIST OF PARTS COMPLETE
FOR
MACHINE NO. 19-11**

DROP FEED, REVERSIBLE, CLOTH.

NO.	PLATE	NAME	EACH
*6801	—	Arm with 122D, 283D and 7248.....	\$6 00
2117	748	" Dowel Pin.....	01
4448	748	" Oil Tube for intermediate bearing.....	06
123E	750	" Screw.....	06
*7248	—	Side Plate.....	75
122D	750	" " Screw.....	05
283D	750	" " " Thumb Screw.....	10
6802	1705	" Shaft.....	1 50
3005	737	" " Bushing.....	15
448C	742	" " " Set Screw.....	03
6803	737	" " Collar with two 450F.....	25
450F	750	" " " Set Screw.....	02
6804	737	" " Gear with 453C.....	30
2117	748	" " " Pin.....	01
453C	742	" " " Set Screw.....	02
144D	750	" " " Screw.....	08
12403	1722	" Spool Pin and Thread Eyelet.....	05
8879	1722	" " " Washer (cloth).....	01
7234	737	Balance Wheel (power) 3 in. pulley, 4 1/4 in. outside diameter, with two 448C.....	75
7370	1729	Balance Wheel (stand) heavy rim, 3 in. pulley, with two 448C.....	75
2862	1729	Balance Wheel (stand) heavy rim, 3 in. pulley, for 3022D.....	75
448C	742	Balance Wheel Set Screw.....	03
6805	737	" " " Shaft.....	50
6806	737	" " " Gear with 453C.....	30
2022	748	" " " " Pin.....	01
453C	742	" " " " Set Screw.....	02
144D	750	" " " " Screw.....	08
2139	1711	" " " Speed Pulley, 2 in. diam., with 451C.....	15
2140	1711	Balance Wheel Speed Pulley, 2 1/2 in. diam., with 437C.....	15
451C	1700	Balance Wheel Speed Pulley Set Screw for 2139.....	03

NO.	PLATE	NAME	EACH
437C	1700	Balance Wheel Speed Pulley Set Screw for 2140.....	\$ 04
256D	732	Clamp Stop Motion Clamp Screw.....	30
248F	1737	" " " " Stop Screw..	02
2020	732	" " " " Washer.....	05
*3023	—	" " " " Flanged Bushing	35
4933	732	" " " " " "	35
2022	748	3023 with two 462C.....	01
462C	743	Clamp Stop Motion Flanged Bushing Pin.....	02
3022D	—	Clamp Stop Motion complete, Nos. 248F, 256D, 2020 and 4933.....	75
6127	731	Cloth Plate.....	1 00
401D	750	" " " Screw.....	02
4292	738	Crank Connecting Rod with 4349 and two 158E.....	70
*4349	—	Crank Connecting Rod Cap.....	15
158E	750	" " " " Screw.....	03
375C	742	" " " " Hinge Screw.....	12
1518E	742	" " " " " Nut	04
*6126	—	Cylinder, 2 1/4 in. diam.....	12 00
4343	1725	Face Plate.....	50
164D	750	" " " Screw.....	04
2107	748	" " " Thread Guard.....	02
233D	742	" " " " Screw.....	02
6807	738	Feed Cam with 446C.....	35
446C	750	" " " Set Screw.....	03
3033	742	" " " Connecting Link.....	20
375C	742	" " " " Hinge Screw.....	12
1518E	742	" " " " " Nut	04
6277	1719	" " " Dog.....	40
180D	750	" " " " Screw.....	03
6131	1725	" " " Forked Connection.....	75
375C	742	" " " " Hinge Screw	12
1518E	742	" " " " " "	04
6132	742	Nut.....	25
23C	742	Feed Forked Connection Universal Joint " " " " " "	15
5544	742	Hinge Screw.....	25
448C	742	Feed Regulator Crank with two 448C..	03
6808	732	" " " " Set Screw.....	60
6809	—	" " " Lever with 460C.....	80
732D	1737	" " " " 6808 with 190D and 6810.....	80
		Feed Regulator Lever Adjusting Thumb Screw.....	10

From the library of: Diamond Needle Corp.

NO.	PLATE	NAME	EACH
1584E	1737	Feed Regulator Lever Adjusting Thumb Screw Nut.....	\$ 08
3146	1722	Feed Regulator Lever Adjusting Thumb Screw Washer.....	01
6810	732	Feed Regulator Lever Friction Plate	20
190D	750	" " " " " "	
		Screw.....	03
732D	1737	Feed Regulator Lever Friction Plate Thumb Screw.....	10
2049	748	Feed Regulator Lever Pin.....	01
6811	732	" " " " Segment.....	35
330D	742	" " " " " Screw....	02
460C	742	" " " " " Set Screw.....	02
5550	739	" " " " Shaft.....	15
6137	1706	" " Rock Shaft.....	50
6138	1711	" " " " Arm with 457C.....	50
212C	750	" " " " " Cap Screw.....	04
6166	748	" " " " " Pin.....	01
457C	1700	" " " " " Set Screw.....	02
300C	750	" " " " " Screw Centre.....	08
1513E	1737	" " " " " Nut.....	05
6135	1706	" " Rod.....	75
657C	750	" " " " " Hinge Screw.....	10
6136	1734	" " " " " Raising Block.....	15
178D	1737	" " " " " Screw.....	03
16639	1722	" " " " " Spring.....	02
233D	742	" " " " " Screw.....	02
4264	1730	Needle Bar.....	40
3045	743	" " " " " Connecting Link.....	30
377C	743	" " " " " " H i n g e Screw.....	12
1518E	742	Needle Bar Connecting Link Hinge Screw Nut.....	04
2052	743	Needle Bar Connecting Stud with 155C.	25
155C	743	" " " " " Set Screw..	03
290E	750	" " " " " Screw Bushing.....	06
4265	—	" " " " " Clamp with 196F.....	25
196F	1722	" " " " " Screw.....	02
4266	1734	" " " " " Thread Guide.....	10
651D	1734	" " " " " " Screw.....	02
4865	1734	Needle Clamp complete, Nos. 651D, 4265 and 4266.....	35
6022	738	Oscillating Rock Shaft (steel) with 4784	1 00
3052	1711	" " " " " Hinge Pin.....	50
1513E	1737	" " " " " " Nut...	05
4784	743	" " " " " Oil Pad.....	01
6023	1730	" " " " " Shaft.....	40

NO.	PLATE	NAME	EACH
*6056	—	Oscillating Shaft Crank with 1813.....	\$ 50
6024	1722	" " " " 6056 with two 462C.....	50
2049	748	Oscillating Shaft Crank Pin.....	01
1813	743	" " " " Roller and Stud	20
462C	743	" " " " Set Screw.....	02
3054	739	Presser Bar.....	35
2062	743	" " " " Lifter.....	20
689C	743	" " " " " Screw.....	10
1520E	743	" " " " " Nut.....	03
5608	1710	" " " " " Lifting Bracket with 453C..	25
453C	742	" " " " " Set Screw..	02
290E	750	" " " " " Screw Bushing.....	06
3056	1711	" " " " " Spring (heavy).....	05
2308	739	" " " " " (light).....	05
2070	748	" " " " " Washer.....	01
6278	1707	" " " " " Foot (long shank).....	70
11193	748	" " " " " Hinge Pin.....	per 100
17363	—	" " " " " Plate.....	75
17364	—	" " " " " Shank.....	50
17365	1720	Presser Foot (hinged) complete, Nos. 11193, 17363 and 17364.....	1 25
17370	1720	Presser Foot with guide on bottom to the right of needle hole, for shoe tips.	75
190D	750	Presser Foot Screw.....	03
262E	750	Pressure Regulating Thumb Screw.....	25
2073	217	Shuttle Bobbin.....	05
2211	217	" " " " " Retaining Spring.....	03
2212	217	" " " " " " Rivet, per 100.....	25
*6058	—	Shuttle Body with 398E, 2082, 2084, 2211 and two 2212.....	55
*2075	—	Shuttle Cover.....	35
2076	217	" " " " " Hinge Pin.....	01
2078	217	" " " " " Delivery Eye Thread Guard	03
2080	217	" " " " " " " " " "	
		Rivet.....	01
2082	217	Shuttle Main Spring.....	10
398E	217	" " " " " Screw.....	02
2084	217	" " " " " Steady Pin.....	01
466H	217	" " " " " Tension Regulating Screw.....	04
2086	217	" " " " " Spring.....	03
2090	217	" " " " " Plate.....	05
112D	217	" " " " " " Screw.....	02
6028	217	Shuttle (high point) complete, Nos. 112D, 466H, 2073, 2075, 2076, 2078, 2080, 2086, 2090 and 6058.....	1 00

NO.	PLATE	NAME	EACH
6143	1731	Roller Presser complete, 1¼ in. coarse roller, Nos. 176D, 440F, 1549D, 1839, 2205, 4282, 6146, two 316F and three 1547D.....	\$1 20
6144	---	Roller Presser complete, 1¼ in. fine roller, Nos. 176D, 440F, 1549D, 1869, 2205, 4282, 6146, two 316F and three 1547D.....	1 20
190D	750	Roller Presser Screw.....	03
652D	1731	" Screw for 1841 and 1868.....	08
386D	1731	" " " 1839 and 1869.....	08
1528D	1731	" " Nut.....	03
6171	735	Throat Plate, large needle hole, for 6276, in place of 6172.....	40
6155	---	Throat Plate, small needle hole, for 6276, in place of 6280.....	40
17359	1719	Throat Plate for 17358.....	40

LIST OF PARTS COMPLETE FOR MACHINE NO. 19-13

C. B., DROP FEED, REVERSIBLE, CLOTH.

NO.	PLATE	NAME	EACH
*6801	---	Arm with 122D, 283D and 7248.....	\$6 00
2117	748	" Dowel Pin.....	01
4448	748	" Oil Tube for intermediate bearing.....	06
123E	750	" Screw.....	06
*7248	---	" Side Plate.....	75
122D	750	" " " Screw.....	05
283D	750	" " " Thumb Screw.....	10
6802	1705	" Shaft.....	1 50
3005	737	" " Bushing.....	15
448C	742	" " " Set Screw.....	03
6803	737	" " Collar with two 450F.....	25
450F	750	" " " Set Screw.....	02
6804	737	" " Gear with 453C.....	30
2117	748	" " " Pin.....	01
453C	742	" " " Set Screw.....	02
144D	750	" " Screw.....	08
12403	1722	" Spool Pin and Thread Eyelet.....	05
8879	1722	" " " Washer (cloth).....	01
7234	737	Balance Wheel (power) 3 in. pulley, 4¼ in. outside diameter, with two 448C.....	75
7370	1729	Balance Wheel (stand) heavy rim, 3 in. pulley, with two 448C.....	75
2862	1729	Balance Wheel (stand) heavy rim, 3 in. pulley, for 3022D.....	75
448C	742	Balance Wheel Set Screw.....	03
6805	737	" " Shaft.....	50
6806	737	" " " Gear with 453C.....	30
2022	748	" " " " Pin.....	01
453C	742	" " " " Set Screw.....	02
144D	750	" " " Screw.....	08
2139	1711	" " Speed Pulley, 2 in. diam., with 451C.....	15
2140	1711	Balance Wheel Speed Pulley, 2½ in. diam., with 437C.....	15
451C	1700	Balance Wheel Speed Pulley Set Screw for 2139.....	03
437C	1700	Balance Wheel Speed Pulley Set Screw for 2140.....	04

NO.	PLATE	NAME	EACH
256D	732	Clamp Stop Motion Clamp Screw.....	\$ 30
248F	1737	" " " " Stop Screw..	02
2020	732	" " " " Washer.....	05
*3023	—	" " " " Flanged Bushing	35
4933	732	" " " " " "	
		3023 with two 462c.....	35
2022	748	Clamp Stop Motion Flanged Bushing	
		Pin.....	01
462c	743	Clamp Stop Motion Flanged Bushing	
		Set Screw.....	02
3022D	—	Clamp Stop Motion complete, Nos. 248F,	
		256D, 2020 and 4933.....	75
6127	731	Cloth Plate.....	1 00
401D	750	" " Screw.....	02
4292	738	Crank Connecting Rod with 4349 and	
		two 158E.....	70
*4349	—	Crank Connecting Rod Cap.....	15
158E	750	" " " " Screw.....	03
375C	742	" " " " Hinge Screw.....	12
1518E	742	" " " " " " Nut	04
*6126	—	Cylinder, 2 1/4 in. diam.....	12 00
4343	1725	Face Plate.....	50
164D	750	" " Screw.....	04
2107	748	" " Thread Guard.....	02
233D	742	" " " " Screw.....	02
6807	738	Feed Cam with 446c.....	35
446c	750	" " Set Screw.....	03
3033	742	" Connecting Link.....	20
375C	742	" " " " Hinge Screw.....	12
1518E	742	" " " " " " Nut	04
6283	735	" Dog.....	40
185H	750	" " Screw.....	02
16770	1725	" Forked Connection.....	75
375C	742	" " " " Hinge Screw	12
1518E	742	" " " " " " Nut.....	04
6132	742	Feed Forked Connection Universal Joint	25
23C	742	" " " " " " " "	
		Hinge Screw.....	15
5544	742	Feed Regulator Crank with two 448c...	25
448c	742	" " " " Set Screw.....	03
6808	732	" " " " Lever with 460c.....	60
6809	—	" " " " 6808 with 190D	
		and 6810.....	80
732D	1737	Feed Regulator Lever Adjusting Thumb	
		Screw.....	10
1584E	1737	Feed Regulator Lever Adjusting Thumb	
		Screw Nut.....	08

NO.	PLATE	NAME	EACH
3146	1722	Feed Regulator Lever Adjusting Thumb	
		Screw Washer.....	\$ 01
6810	732	Feed Regulator Lever Friction Plate	20
190D	750	" " " " " "	
		Screw.....	03
732D	1737	Feed Regulator Lever Friction Plate	
		Thumb Screw.....	10
2049	748	Feed Regulator Lever Pin.....	01
6811	732	" " " " Segment.....	35
330D	742	" " " " " " Screw....	02
460C	742	" " " " Set Screw.....	02
5550	739	" " Shaft.....	15
6137	1706	" Rock Shaft.....	50
16767	1706	" " " " Arm with 453c.....	75
212C	750	" " " " Cap Screw.....	04
6166	748	" " " " Pin.....	01
453C	742	" " " " Set Screw.....	02
300C	750	" " " " Screw Centre.....	08
1513E	1737	" " " " " " Nut.....	05
6161	738	" Rod.....	75
657C	750	" " Hinge Screw.....	10
6162	742	" " Raising Block.....	15
207D	742	" " " " " " Screw.....	02
16639	1722	" " Spring.....	02
233D	742	" " " " Screw.....	02
3044	1730	Needle Bar.....	40
3045	743	" " Connecting Link.....	30
377C	743	" " " " " " Hinge	
		Screw.....	12
1518E	742	Needle Bar Connecting Link Hinge	
		Screw Nut.....	04
2052	743	Needle Bar Connecting Stud with 155c.	25
155C	743	" " " " " " Set Screw..	03
290E	750	" " Screw Bushing.....	06
2166	1734	" " Thread Guard.....	01
233D	742	" " " " " " Screw.....	02
2167	1734	" Clamp with 196F.....	17
196F	1722	" " Screw.....	02
6022	738	Oscillating Rock Shaft (steel) with 4784	1 00
3052	1711	" " " " Hinge Pin.....	50
1513E	1737	" " " " " " Nut..	05
4784	743	" " " " Oil Pad.....	01
7044	739	" Shaft.....	40
*2416	—	" " Crank with 1813.....	50
2511	1735	" " " " 2416 with two	
		462c.....	50

NO.	PLATE	NAME	EACH
2049	748	Oscillating Shaft Crank Pin.....	\$ 01
1813	743	" " " Roller and Stud	20
462C	743	" " " Set Screw.....	02
3054	739	Presser Bar.....	35
2062	743	" " Lifter.....	20
689C	743	" " " Screw.....	10
1520E	743	" " " Nut.....	03
5608	1710	" " Lifting Bracket with 453C..	25
453C	742	" " " " Set Screw..	02
290E	750	" " Screw Bushing.....	06
3056	1711	" " Spring (heavy).....	05
2308	739	" " " (light).....	05
2070	748	" " " Washer.....	01
6278	1707	" Foot (long shank).....	70
190D	750	" " Screw.....	03
262E	750	Pressure Regulating Thumb Screw....	25
2996	1736	Shuttle Bobbin.....	05
15140	1736	" " Case Latch.....	10
2973	1736	" " " " Lever.....	10
2974	1736	" " " " " Ful- crum Pin..... per 100	10
2975	1736	Shuttle Bobbin Case Latch Spring.....	02
592E	1736	" " " " Stop Screw..	02
15141	-----	" " " " Hinge, Nos. 2973, 2974 and 15140.....	25
15027	1736	Shuttle Bobbin Case Position Finger	05
7048	1712	" " " " " "	75
198D	1732	Shuttle Bobbin Case Position Finger Plate Screw.....	02
2523	1736	Shuttle Bobbin Case Position Finger Rivet..... per 100	25
15277	1736	Shuttle Bobbin Case complete, Nos. 591F, 592E, 2523, 2975, 15027, 15141 and 15278.....	75
2515	1736	Shuttle Body.....	75
591F	1736	" Tension Regulating Screw.....	02
15278	1736	" " Spring.....	10
15100	1736	Shuttle, 1 1/16 in. diam., Nos. 2515, 2996 and 15277.....	1 50
7045	732	Shuttle Driver.....	75
2049	748	" " Pin.....	01
7046	1712	" Race Ring with two 2269.....	1 00
7047	-----	" " " 7046 with 7048 and two 198D.....	1 75
7053	1712	Shuttle Race Ring Cap.....	30
7049	-----	" " " 7053 with 7050 and two 26092.....	50

NO.	PLATE	NAME	EACH
7050	1712	Shuttle Race Ring Cap Holder.....	\$ 20
2269	748	" " " " " Pin.....	01
26092	748	" " " " " Rivet, per 100.....	15
198D	1732	Shuttle Race Ring Screw.....	02
2102	748	Tension Disc.....	05
1560C	1737	" Regulating Thumb Nut.....	04
4369	1722	" Releaser.....	15
2269	748	" " Hinge Pin.....	01
600F	1700	" Screw Stud.....	10
448C	742	" " Set Screw.....	03
2103	748	" Spring.....	03
2105	748	" Thread Guard.....	03
2112	1722	Thread Retaining Disc with 2113.....	05
2113	1722	" " " Steady Pin.....	01
2114	1722	" " Spring.....	01
2115	1722	" " Stud.....	07
460C	742	" " Set Screw.....	02
2111	1722	Thread Retainer Guide complete, Nos. 2112, 2114 and 2115.....	15
3182	1725	Thread Take-up Cam (steel) with 446C. 1	25
3012	748	" " " Pin.....	01
446C	750	" " " Set Screw.....	03
3072	1735	" " Lever with 1819.....	60
76C	743	" " " Hinge Screw....	06
1819	743	" " " Roller and Stud.	20
2124	1722	" " Spring.....	03
2127	748	" " " Regulator Plate	03
233D	742	" " " " "	02
6172	1719	Adjusting Screw.....	45
6280	-----	Throat Plate, large needle hole, for 6283	45
756D	750	" " small " " "	02
6053	1705	" " Screw.....	05
6053	1705	Drip Pan.....	05

MACHINE NO. 19-14

C. B., DROP FEED, REVERSIBLE, LEATHER.

This Machine is the same as No. 19-13 with the following exceptions:

NO.	PLATE	NAME	EACH
6282	735	Feed Dog, in place of 6283.....	\$ 35
17355	1719	" "	60
17367	1720	Presser Foot (plate rounded) for inside stays, in place of 6278.....	75
17387	1720	Presser Foot.....	70
1868	1731	Roller, $\frac{7}{8}$ in. diam., coarse, with 652D and 1528D, for 6141.....	25
1841	----	Roller, $\frac{7}{8}$ in. diam., fine, with 652D and 1528D, for 6142.....	25
1839	1731	Roller, $1\frac{1}{4}$ in. diam., coarse, with 386D and 1528D, for 6143.....	40
1869	----	Roller, $1\frac{1}{4}$ in. diam., fine, with 386D and 1528D, for 6144.....	40
6145	1731	Roller Arm for 6141 and 6142.....	30
6146	1731	" " " 6143 and 6144.....	30
440F	1731	" " Adjusting Screw.....	03
1547D	1731	" " " " Nut.....	03
2206	1731	" " Bracket for 6141 and 6142.....	20
4282	1731	" " " " 6143 and 6144.....	20
316F	1731	" " " " Screw Centre.....	03
1547D	1731	" " " " Nut.....	03
2205	1731	" " Lock Spring.....	04
176D	1731	" " " " Screw.....	03
1549D	1731	" " " " Nut.....	03
6141	1731	Roller Presser complete, $\frac{7}{8}$ in. coarse roller, Nos. 176D, 440F, 1549D, 1868, 2205, 2206, 6145, two 316F and three 1547D.....	1 05
6142	----	Roller Presser complete, $\frac{7}{8}$ in. fine roller, Nos. 176D, 440F, 1549D, 1841, 2205, 2206, 6145, two 316F and three 1547D.....	1 05
NOTE. No. 6142 is sent with this machine unless another Roller Presser is specified on order.			
6143	1731	Roller Presser complete, $1\frac{1}{4}$ in. coarse roller, Nos. 176D, 440F, 1549D, 1839, 2205, 4282, 6146, two 316F and three 1547D.....	1 20

PARTS FOR MACHINE NO. 19-14

51

NO.	PLATE	NAME	EACH
6144	----	Roller Presser complete, $1\frac{1}{4}$ in. fine roller, Nos. 176D, 440F, 1549D, 1869, 2205, 4282, 6146, two 316F and three 1547D.....	\$1 20
190D	750	Roller Presser Screw.....	03
652D	1731	" " Screw for 1841 and 1868.....	08
386D	1731	" " " 1839 and 1869.....	08
1528D	1731	" " Nut.....	03
6174	735	Throat Plate, large needle hole, for 6282, in place of 6172.....	40
6164	----	Throat Plate, small needle hole, for 6282, in place of 6280.....	40
17356	1719	Throat Plate for 17355.....	40

LIST OF PARTS COMPLETE

FOR

MACHINE NO. 19-15

TWO NEEDLES, TWO SHUTTLES, DROP FEED, LOW BED, GAUGES FROM $\frac{3}{16}$ INCH TO $\frac{5}{16}$ INCH. CLOTH.

NO.	PLATE	NAME	EACH
*7229	----	Arm with 122D, 283D and 7248.....	\$6 00
2117	748	" Dowel Pin.....	01
4448	748	" Oil Tube for intermediate bearing.....	06
123E	750	" Screw.....	06
*7248	----	Side Plate.....	75
122D	750	" " " Screw.....	05
283D	750	" " " Thumb Screw.....	10
6802	1705	" Shaft.....	1 50
3005	737	" " Bushing.....	15
448C	742	" " " Set Screw.....	03
6803	737	" " Collar with two 450F.....	25
450F	750	" " " Set Screw.....	02
6804	737	" " Gear with 453C.....	30
2117	748	" " " Pin.....	01
453C	742	" " " Set Screw.....	02
144D	750	" " Screw.....	08
3197	1704	" Spool Pin (horizontal).....	20
7234	737	Balance Wheel (power) 3 in. pulley, $4\frac{1}{4}$ in. outside diameter, with two 448C.....	75
7370	1729	Balance Wheel (stand) heavy rim, 3 in. pulley, with two 448C.....	75

From the Library of Standard Needle Corp

NO.	PLATE	NAME	EACH
2862	1729	Balance Wheel (stand) heavy rim, 3 in. pulley, for 3022D.....	\$ 75
448C	742	Balance Wheel Set Screw.....	03
6805	737	" " Shaft.....	50
6806	737	" " Gear with 453C....	30
2022	748	" " " " Pin.....	01
453C	742	" " " " Set Screw....	02
144D	750	" " " " Screw.....	08
2139	1711	" " Speed Pulley, 2 in. diam., with 451C.....	15
2140	1711	Balance Wheel Speed Pulley, 2½ in. diam., with 437C.....	15
451c	1700	Balance Wheel Speed Pulley Set Screw for 2139.....	03
437C	1700	Balance Wheel Speed Pulley Set Screw for 2140.....	04
256D	732	Clamp Stop Motion Clamp Screw.....	30
248F	1737	" " " " Stop Screw..	02
2020	732	" " " " Washer.....	05
*3023	—	" " " " Flanged Bushing	35
4933	732	" " " " " "	35
		3023 with two 462C.....	35
2022	748	Clamp Stop Motion Flanged Bushing Pin.....	01
462C	743	Clamp Stop Motion Flanged Bushing Set Screw.....	02
3022D	—	Clamp Stop Motion complete, Nos. 248F, 256D, 2020 and 4933.....	75
6824	740	Cloth Plate, for ¾ in. to ⅞ in. gauge..	1 00
6825	741	" " " ¼ in. to ⅝ in. gauge..	1 00
401D	750	" " Screw.....	02
4292	738	Crank Connecting Rod with 4349 and two 158E.....	70
*4349	—	Crank Connecting Rod Cap.....	15
158E	750	" " " " Screw.....	03
375C	742	" " " " Hinge Screw....	12
1518E	742	" " " " " " Nut	04
*17326	—	Cylinder, 2⅞ in. diam.....	12 00
17309	737	Face Plate with Tension Bracket (solid)	90
17310	—	Face Plate complete, Nos. 86D, 330D, 448C, 808F, 809F, 2105, 2107, 2127, 2248, 2410, 2411, 4377, 17309, two each 233D, 1560C, 2103 and four 2102	2 00
164D	750	Face Plate Screw.....	04
2107	748	" " Thread Guard.....	02
233D	742	" " " " Screw.....	02
6807	738	Feed Cam with 446C.....	35

NO.	PLATE	NAME	EACH
446C	750	Feed Cam Set Screw.....	\$ 03
3033	742	" Connecting Link.....	20
375C	742	" " " " Hinge Screw....	12
1518E	742	" " " " " " Nut	04
7182	744	" Dog, for ¾ in. to ⅞ in. gauge..	60
7195	744	" " " ⅝ in. to ⅞ in. gauge....	65
7197	745	" " " ⅞ in. to ⅞ in. gauge....	65
7198	745	" " (spiked teeth) for ¾ in. to ⅞ in. gauge.....	65
7199	744	Feed Dog, for ¼ in. to ⅞ in. gauge....	65
7200	744	" " (spiked teeth) for ¼ in. to ⅞ in. gauge.....	65
185H	750	Feed Dog Screw.....	02
6158	738	" Forked Connection.....	75
375C	742	" " " " Hinge S c r e w	12
1518E	742	" " " " " " " "	04
6132	742	Feed Forked Connection Universal Joint	25
23C	742	" " " " " "	15
5544	742	Hinge Screw.....	25
448C	742	Feed Regulator Crank with two 448C..	03
5545	742	" " " " Set Screw.....	35
5546	—	" " " " Lever with 460C.....	50
		" " " " 5545 with 330D and 5547.....	01
7958	2642	Feed Regulator Lever Pin.....	30
6815	742	" " " " Segment.....	02
330D	742	" " " " " " Screw	02
460C	742	" " " " Set Screw.....	03
5547	742	" " " " Spring.....	02
330D	742	" " " " " " Screw....	02
238D	742	" " " " Stop Screw.....	10
286D	742	" " " " Thumb Screw...	15
5550	739	" " " " Shaft.....	50
6137	1706	" Rock Shaft.....	75
16767	1706	" " " " Arm with 453C.....	04
212C	750	" " " " Cap Screw.....	01
6166	748	" " " " Pin.....	02
453C	742	" " " " Set Screw.....	08
300C	750	" " " " Screw Centre.....	05
1513E	1737	" " " " " " Nut.....	75
6161	738	" Rod.....	10
657C	750	" " Hinge Screw.....	15
6162	742	" " Raising Block.....	02
207D	742	" " " " Screw.....	02
16639	1722	" " Spring.....	02
233D	742	" " " " Screw.....	02

NO.	PLATE	NAME	EACH
4344	739	Needle Bar.....	\$ 50
3045	743	" " Connecting Link.....	30
377c	743	" " " " H i n g e Screw.....	12
1518E	742	Needle Bar Connecting Link Hinge Screw Nut.....	04
2052	743	Needle Bar Connecting Stud with 155c.	25
155c	743	" " " " Set Screw..	03
3214	742	" " Guide with 400c and 453c..	25
400c	742	" " " Adjusting Screw.....	02
453c	742	" " " Set Screw.....	02
290E	750	" " Screw Bushing.....	06
17329	748	" Clamp with two 460F.....	60
2273	748	" " Pin.....	01
460F	742	" Set Screw.....	02
6022	738	Oscillating Rock Shaft (steel) with 4784	1 00
3052	1711	" " " Hinge Pin.....	50
1513E	1737	" " " " Nut....	05
4784	743	" " " Oil Pad.....	01
7044	739	" Shaft.....	40
*6520	—	" " Crank with 1813.....	50
6532	743	" " " 6520 with two 462c.....	50
2049	748	Oscillating Shaft Crank Pin.....	01
1813	743	" " " Roller and Stud	20
462c	743	" " " Set Screw.....	02
7224	739	Presser Bar.....	40
2062	743	" " Lifter.....	20
689c	743	" " " Screw.....	10
1520E	743	" " " Nut.....	03
7181	739	" " Lifting Bracket with 453c and 5613.....	25
453c	742	Presser Bar Lifting Bracket Set Screw..	02
7249	739	" " Spring (heavy).....	05
7175	739	" " " (light).....	05
11170	748	" " Washer.....	01
18055	1702	" Foot Hinge Pin.....	01
26504	—	" " Plate.....	2 00
26505	—	" " Shank.....	1 00
26254	1702	" " Spring.....	02
337D	1702	" " " Screw.....	02
25961	1702	Presser Foot (spring hinged) complete, Nos. 337D, 18055, 26254, 26504 and 26505.....	3 00
190D	750	Presser Foot Screw.....	03
688E	750	Pressure Regulating Thumb Screw.....	25
2210	749	Shuttle (inside) Bobbin.....	05

NO.	PLATE	NAME	EACH
3230	749	Shuttle (inside) Bobbin Retaining Spring for 3232.....	\$ 05
2212	749	Shuttle (inside) Bobbin Retaining Spring Rivet for 3232..... per 100	25
*3231	—	Shuttle (inside) Body with 398E, 2084 and 3239, for 6912.....	50
*3232	—	Shuttle (inside) Body with 398E, 2084, 3230, 3239 and two 2212, for 6913....	55
*6945	—	Shuttle (inside) Cover.....	35
2076	749	" " " Hinge Pin.....	01
3238	749	" " Delivery Eye Thread Guard.....	03
2080	749	Shuttle (inside) Delivery Eye Thread Guard Rivet.....	01
3239	749	Shuttle (inside) Main Spring.....	10
398E	749	" " " " " Screw.....	02
2084	749	" " " " " S t e a d y Pin.....	01
466H	749	Shuttle (inside) Tension Regulating Screw.....	04
3241	749	Shuttle (inside) Tension Spring.....	03
3242	749	" " " " " P l a t e	05
112D	749	" " " " " " Screw.....	02
6912	749	Shuttle (inside) closed eye, complete, Nos. 112D, 466H, 2076, 2080, 2210, 3231, 3238, 3241, 3242 and 6945.....	1 00
6913	749	Shuttle (inside) closed eye, complete, Nos. 112D, 466H, 2076, 2080, 2210, 3232, 3238, 3241, 3242 and 6945.....	1 00
2210	749	Shuttle (outside) Bobbin.....	05
3230	749	" " " R e t a i n i n g Spring for 6928.....	05
2212	749	Shuttle (outside) Bobbin Retaining Spring Rivet for 6928..... per 100	25
*6914	—	Shuttle (outside) Body with 398E, 2084 and 3240, for 6880.....	50
*6928	—	Shuttle (outside) Body with 398E, 2084, 3230, 3240 and two 2212, for 6894....	55
*6944	—	Shuttle (outside) Cover.....	35
2076	749	" " " Hinge Pin.....	01
2078	749	" " Delivery Eye Thread Guard.....	03
2080	749	Shuttle (outside) Delivery Eye Thread Guard Rivet.....	01
3240	749	Shuttle (outside) Main Spring.....	10
398E	749	" " " " " Screw....	02

NO.	PLATE	NAME	EACH
2084	749	Shuttle (outside) Main Spring Steady Pin.....	\$ 01
466H	749	Shuttle (outside) Tension Regulating Screw.....	04
2086	749	Shuttle (outside) Tension Spring.....	03
2090	749	" " " " Plate	05
112D	749	" " " " " "	02
6880	749	Shuttle (outside) closed eye, complete, Nos. 112D, 466H, 2076, 2078, 2080, 2086, 2090, 2210, 6914 and 6944.....	1 00
6894	749	Shuttle (outside) closed eye complete, Nos. 112D, 466H, 2076, 2078, 2080, 2086, 2090, 2210, 6928 and 6944.....	1 00
7138	749	Shuttle Driver.....	2 00
2049	748	" " Pin.....	01
17399	—	" Race Body (two pieces) with 629D and two 2049, for 7139 and 17401	5 00
17400	—	Shuttle Race Body (two pieces) with 629D and two 2049, for 17308 and 17402.....	5 00
2049	748	Shuttle Race Dowel Pin.....	01
629D	750	" " Hinge Screw.....	04
6223	748	" " Latch Pin.....	10
400F	742	" " " " Screw.....	02
6224	748	" " " " Spring.....	03
7154	747	" " Loop Separator, $\frac{3}{16}$ in. to $\frac{3}{16}$ in. gauge, for 7139 and 17308.....	1 00
7159	747	Shuttle Race Loop Separator, $\frac{13}{64}$ in. to $\frac{5}{16}$ in. gauge, for 17401 and 17402....	50
240D	1701	Shuttle Race Loop Separator Screw....	02
17307	747	" " Position Plate for 17308 and 17402.....	20
233D	742	Shuttle Race Position Plate Screw for 17308 and 17402.....	02
7139	747	Shuttle Race without Position Plate complete, for $\frac{3}{16}$ in. to $\frac{3}{16}$ in. gauge, Nos. 7154, 17399 and two 240D.....	5 00
17308	747	Shuttle Race with Position Plate complete, for $\frac{3}{16}$ in. to $\frac{3}{16}$ in. gauge, Nos. 7154, 17307, 17400 and two each 233D and 240D.....	5 00
17401	—	Shuttle Race without Position Plate complete, for $\frac{13}{64}$ in. to $\frac{5}{16}$ in. gauge, Nos. 7159, 17399 and two 240D.....	5 00
17402	—	Shuttle Race with Position Plate complete, for $\frac{13}{64}$ in. to $\frac{5}{16}$ in. gauge, Nos. 7159, 17307, 17400 and two each 233D and 240D.....	5 00

NO.	PLATE	NAME	EACH
738D	750	Shuttle Race Screw.....	\$ 05
2102	748	Tension Disc.....	05
1560C	1737	" Regulating Thumb Nut.....	04
3267	739	" Releaser.....	25
5613	748	" " Pin.....	01
809F	750	" Screw Stud.....	15
808F	750	" " " Set Screw.....	03
2103	748	" Spring.....	03
4377	748	" Thread Eyelet (double).....	03
330D	742	" " " Screw.....	02
2410	748	Thread Guiding Roller.....	25
86D	750	" " " Screw.....	05
2411	748	" " " Stud.....	10
448C	742	" " " " Set Screw.....	03
2105	748	" " " Thread Guard... ..	03
3280	737	" Take-up Cam (steel) with 446C.....	1 25
3012	748	" " " Pin.....	01
446C	750	" " " Set Screw.....	03
3281	743	" " Lever with 1819.....	65
76C	743	" " " Hinge Screw.....	06
1819	743	" " " Roller and Stud.....	20
2248	748	" " Spring.....	03
2127	748	" " " Regulator Plate.....	03
233D	742	" " " " " "	
		Adjusting Screw.....	02
7205	745	Throat Plate for 7197 and 7198.....	65
7201	744	" " " 7195.....	65
7179	744	" " " 7199 and 7200.....	65
17306	744	" " " 7182.....	60
756D	750	" " Screw.....	02
6053	1705	Drip Pan.....	05

LIST OF PARTS COMPLETE
FOR
MACHINE NO. 19-16

TWO NEEDLES, TWO SHUTTLES, DROP FEED, LOW BED. FOR FELLER
FOR CLOSING SHIRTS. GAUGES FROM $\frac{3}{32}$ INCH TO $\frac{3}{16}$ INCH.

NO.	PLATE	NAME	EACH
*7229	—	Arm with 122D, 283D and 7248.	\$6 00
2117	748	" Dowel Pin.	01
4448	748	" Oil Tube for intermediate bearing.	06
123E	750	" Screw.	06
*7248	—	Side Plate.	75
122D	750	" " Screw.	05
283D	750	" " " Thumb Screw.	10
6802	1705	" Shaft.	1 50
3005	737	" " Bushing.	15
448C	742	" " " Set Screw.	03
6803	737	" " Collar with two 450F.	25
450F	750	" " " Set Screw.	02
6804	737	" " Gear with 453C.	30
2117	748	" " " Pin.	01
453C	742	" " " Set Screw.	02
144D	750	" " Screw.	08
3197	1704	" Spool Pin (horizontal).	20
7234	737	Balance Wheel (power) 3 in. pulley, 4 $\frac{1}{4}$ in. outside diameter, with two 448C.	75
7370	1729	Balance Wheel (stand) heavy rim, 3 in. pulley, with two 448C.	75
2862	1729	Balance Wheel (stand) heavy rim, 3 in. pulley, for 3022D.	75
448C	742	Balance Wheel Set Screw.	03
6805	737	" " Shaft.	50
6806	737	" " " Gear with 453C.	30
2022	748	" " " Pin.	01
453C	742	" " " Set Screw.	02
144D	750	" " Screw.	08
2139	1711	" " Speed Pulley, 2 in. diam., with 451C.	15
2140	1711	Balance Wheel Speed Pulley, 2 $\frac{1}{2}$ in. diam., with 437C.	15
451C	1700	Balance Wheel Speed Pulley Set Screw for 2139.	03

NO.	PLATE	NAME	EACH
437C	1700	Balance Wheel Speed Pulley Set Screw for 2140.	\$ 04
256D	732	Clamp Stop Motion Clamp Screw.	30
248F	1737	" " " " Stop Screw.	02
2020	732	" " " " Washer.	05
*3023	—	" " " Flanged Bushing	35
4933	732	" " " " "	"
2022	748	3023 with two 462C.	35
462C	743	Clamp Stop Motion Flanged Bushing Pin.	01
3022D	—	Clamp Stop Motion Flanged Bushing Set Screw.	02
7212	741	Clamp Stop Motion complete, Nos. 248F, 256D, 2020 and 4933.	75
7213	—	Cloth Plate with 2653, for 621, for $\frac{3}{32}$ in. and $\frac{1}{16}$ in. gauges.	1 00
17331	741	Cloth Plate 7212 with 7214, 7215 and two 401D.	2 00
17333	—	Cloth Plate with 2653, for 756 or 934, for $\frac{1}{8}$ in. to $\frac{3}{16}$ in. gauge.	1 00
17333	—	Cloth Plate 17331 with 7214, 7215 and two 401D.	2 00
7214	741	Cloth Plate Bracket (right).	50
7215	741	" " " (left).	50
185H	750	" " " Screw.	02
26054	1701	" " Cloth Guide.	1 50
102D	1701	" " " Hinge Screw.	04
1530E	1701	" " " " Nut	03
2653	1701	" " " " Stop Pin.	01
401D	750	" " Screw.	02
26055	1701	" " Spring Guide.	15
240D	1701	" " " " Screw.	02
4292	738	Crank Connecting Rod with 4349 and two 158E.	70
*4349	—	Crank Connecting Rod Cap.	15
158E	750	" " " " Screw.	03
375C	742	" " " " Hinge Screw.	12
1518E	742	" " " " " Nut	04
*17326	—	Cylinder, 2 $\frac{7}{16}$ in. diam.	12 00
17309	737	Face Plate with Tension Bracket (solid)	90
17310	—	Face Plate complete, Nos. 86D, 330D, 448C, 808F, 809F, 2105, 2107, 2127, 2248, 2410, 2411, 4377, 17309, two each 233D, 1560C, 2103 and four 2102	2 00
164D	750	Face Plate Screw.	04
2107	748	" " Thread Guard.	02
233D	742	" " " " Screw.	02

from the library of: Diamond Needle Co.

NO.	PLATE	NAME	EACH
6807	738	Feed Cam with 446C.....	\$ 35
446C	750	" " Set Screw.....	03
3033	742	" Connecting Link.....	20
375C	742	" " " Hinge Screw.....	12
1518E	742	" " " " " Nut	04
7021	1701	" Dog.....	60
185H	1701	" " Screw.....	02
6158	738	" Forked Connection.....	75
375C	742	" " " Hinge Screw	12
1518E	742	" " " " " "	04
6132	742	Feed Forked Connection Universal Joint	25
23C	742	" " " " " "	15
5544	742	Hinge Screw.....	15
5544	742	Feed Regulator Crank with two 448C...	25
448C	742	" " " Set Screw.....	03
5545	742	" " " Lever with 460C.....	35
5546	—	" " " 5545 with 330D and 5547.....	50
7958	2642	Feed Regulator Lever Pin.....	01
6815	742	" " " Segment.....	30
330D	742	" " " " " Screw....	02
460C	742	" " " " Set Screw.....	02
5547	742	" " " " Spring.....	03
330D	742	" " " " " Screw.....	02
238D	742	" " " " Stop Screw.....	02
286D	742	" " " " Thumb Screw...	10
5550	739	" " " Shaft.....	15
6137	1706	" Rock Shaft.....	50
16767	1706	" " " Arm with 453C.....	75
212C	750	" " " " Cap Screw.....	04
6166	748	" " " " Pin.....	01
453C	742	" " " " Set Screw.....	02
300C	750	" " " " Screw Centre.....	08
1513E	1737	" " " " " Nut.....	05
6161	738	" Rod.....	75
657C	750	" " Hinge Screw.....	10
6162	742	" " Raising Block.....	15
207D	742	" " " " Screw.....	02
16639	1722	" " Spring.....	02
233D	742	" " " " Screw.....	02
26050	1701	Hemmer (foot) for felling.....	3 00
26051	1701	" Bracket with two 211F.....	1 25
211F	1701	" " " Clamping Screw.....	02
6267	1701	" Folder.....	02
25888	1701	" Tongue.....	01

NOTE. When ordering 6267 or 25888 give width of hem and number of Hemmer for which it is required.

NO.	PLATE	NAME	EACH
4344	739	Needle Bar.....	\$ 50
3045	743	" " Connecting Link.....	30
377C	743	" " " " " H i n g e Screw.....	12
1518E	742	Needle Bar Connecting Link Hinge Screw Nut.....	04
2052	743	Needle Bar Connecting Stud with 155C.	25
155C	743	" " " " Set Screw..	03
3214	742	" " Guide with 400C and 453C..	25
400C	742	" " " Adjusting Screw.....	02
453C	742	" " " Set Screw.....	02
290E	750	" " Screw Bushing.....	06
17329	748	" Clamp with two 460F.....	60
2273	748	" " Pin.....	01
460F	742	" Set Screw.....	02
6022	738	Oscillating Rock Shaft (steel) with 4784	1 00
3052	1711	" " " Hinge Pin.....	50
1513E	1737	" " " " " Nut..	05
4784	743	" " " Oil Pad.....	01
7044	739	" Shaft.....	40
*6520	—	" " Crank with 1813.....	50
6532	743	" " " 6520 with two 462C.....	50
2049	748	Oscillating Shaft Crank Pin.....	01
1813	743	" " " Roller and Stud	20
462C	743	" " " Set Screw.....	02
11166	739	Presser Bar.....	40
2062	743	" " Lifter.....	20
689C	743	" " " Screw.....	10
1520E	743	" " " Nut.....	03
7181	739	" " Lifting Bracket with 453C and 5613.....	25
453C	742	Presser Bar Lifting Bracket Set Screw..	02
7249	739	" " Spring (heavy).....	05
7175	739	" " " (light).....	05
11170	748	" " " Washer.....	01
7247	1701	" Foot.....	1 25
18055	1702	" " Hinge Pin.....	01
17371	—	" " Plate.....	1 25
17372	—	" " Shank.....	1 25
26231	1734	" " Spring.....	02
17373	1701	Presser Foot (spring hinged) complete, for general work, Nos. 17371, 17372, 18055 and 26231.....	2 50
26051	1701	Presser Foot Bracket with two 211F....	1 25
211F	1701	" " " Clamping Screw..	02
688E	750	Pressure Regulating Thumb Screw.....	25

From the Horax & Diabrot Needle Corp.

NO.	PLATE	NAME	EACH
2210	749	Shuttle (inside) Bobbin.....	\$ 05
3230	749	" " " Retaining Spring for 3232.....	05
2212	749	Shuttle (inside) Bobbin Retaining Spring Rivet for 3232..... per 100	25
*3231	—	Shuttle (inside) Body with 398E, 2084 and 3239, for 6912.....	50
*3232	—	Shuttle (inside) Body with 398E, 2084, 3230, 3239 and two 2212, for 6913....	55
*6945	—	Shuttle (inside) Cover.....	35
2076	749	" " " Hinge Pin.....	01
3238	749	" " Delivery Eye Thread Guard.....	03
2080	749	Shuttle (inside) Delivery Eye Thread Guard Rivet.....	01
3239	749	Shuttle (inside) Main Spring.....	10
398E	749	" " " " Screw.....	02
2084	749	" " " " Steady Pin.....	01
466H	749	" " Tension Regulating Screw.....	04
3241	749	Shuttle (inside) Tension Spring.....	03
3242	749	" " " " Plate.....	05
112D	749	" " " " " Screw.....	02
6912	749	Shuttle (inside) closed eye, complete, Nos. 112D, 466H, 2076, 2080, 2210, 3231, 3238, 3241, 3242 and 6945.....	1 00
6913	749	Shuttle (inside) closed eye, complete, Nos. 112D, 466H, 2076, 2080, 2210, 3232, 3238, 3241, 3242 and 6945.....	1 00
2210	749	Shuttle (outside) Bobbin.....	05
3230	749	" " " Retaining Spring for 6928.....	05
2212	749	Shuttle (outside) Bobbin Retaining Spring Rivet for 6928..... per 100	25
*6914	—	Shuttle (outside) Body with 398E, 2084 and 3240, for 6880.....	50
*6928	—	Shuttle (outside) Body with 398E, 2084, 3230, 3240 and two 2212, for 6894....	55
*6944	—	Shuttle (outside) Cover.....	35
2076	749	" " " Hinge Pin.....	01
2078	749	" " Delivery Eye Thread Guard.....	03
2080	749	Shuttle (outside) Delivery Eye Thread Guard Rivet.....	01
3240	749	Shuttle (outside) Main Spring.....	10
398E	749	" " " " Screw....	02

NO.	PLATE	NAME	EACH
2084	749	Shuttle (outside) Main Spring Steady Pin.....	\$ 01
466H	749	Shuttle (outside) Tension Regulating Screw.....	04
2086	749	Shuttle (outside) Tension Spring.....	03
2090	749	" " " " Plate.....	05
112D	749	" " " " " Screw.....	02
6880	749	Shuttle (outside) closed eye, complete, Nos. 112D, 466H, 2076, 2078, 2080, 2086, 2090, 2210, 6914 and 6944.....	1 00
6894	749	Shuttle (outside) closed eye, complete, Nos. 112D, 466H, 2076, 2078, 2080, 2086, 2090, 2210, 6928 and 6944.....	1 00
7138	749	Shuttle Driver.....	2 00
2049	748	" " Pin.....	01
17399	—	" Race Body (two pieces) with 629D and two 2049, for 7139.....	5 00
17400	—	Shuttle Race Body (two pieces) with 629D and two 2049, for 17308.....	5 00
2049	748	Shuttle Race Dowel Pin.....	01
629D	750	" " Hinge Screw.....	04
6223	748	" " Latch Pin.....	10
400F	742	" " " " Screw.....	02
6224	748	" " " " Spring.....	03
7154	747	" " Loop Separator.....	1 00
240D	1701	" " " " Screw.....	02
17307	747	" " Position Plate for 17308..	20
233D	742	" " " " Screw for 17308.....	02
7139	747	Shuttle Race without Position Plate complete, Nos. 7154, 17399 and two 240D.....	5 00
17308	747	Shuttle Race with Position Plate complete, Nos. 7154, 17307, 17400 and two each 233D and 240D.....	5 00
738D	750	Shuttle Race Screw.....	05
2102	748	Tension Disc.....	05
1560C	1737	" Regulating Thumb Nut.....	04
3267	739	" Releaser.....	25
5613	748	" " Pin.....	01
809F	750	" Screw Stud.....	15
808F	750	" " Set Screw.....	03
2103	748	" Spring.....	03
4377	748	" Thread Eyelet (double).....	03
330D	742	" " " Screw.....	02

NO.	PLATE	NAME	EACH
2410	748	Thread Guiding Roller.....	\$ 25
86D	750	" " " Screw.....	05
2411	748	" " " Stud.....	10
448C	742	" " " " Set Screw..	03
2105	748	" " " Thread Guard..	03
3280	737	Thread Take-up Cam (steel) with 446C.	1 25
3012	748	" " " Pin.....	01
446C	750	" " " Set Screw.....	03
3281	743	" " Lever with 1819.....	65
76C	743	" " " Hinge Screw....	06
1819	743	" " " Roller and Stud.	20
2248	748	" " " Spring.....	03
2127	748	" " " Regulator Plate	03
233D	742	" " " " " "	
		Adjusting Screw.....	02
7217	1701	Throat Plate for 7021.....	75
621D	1701	" " " Screw, for $\frac{3}{32}$ in. and $\frac{7}{64}$ in. gauges.....	02
934D	1701	Throat Plate Screw, for $\frac{1}{8}$ in. to $\frac{5}{32}$ in. gauge.....	02
756D	750	Throat Plate Screw, for $\frac{11}{64}$ in. and $\frac{3}{16}$ in. gauges.....	02
6053	1705	Drip Pan.....	05

LIST OF PARTS COMPLETE

FOR

MACHINE NO. 19-17

TWO NEELES, ONE C. B. SHUTTLE, DROP FEED, GAUGES FROM $\frac{1}{32}$ INCH TO $\frac{1}{8}$ INCH. MAKES TWO PARALLEL SEAMS ON UPPER SURFACE AND AN OVERCAST SEAM ON THE UNDER SURFACE, CYLINDER $1\frac{3}{16}$ IN. DIAMETER AT END, ROLLER PRESSER. FOR SHOE WORK.

NO.	PLATE	NAME	EACH
*6801	—	Arm with 122D, 283D and 7248.....	\$6 00
2117	748	" Dowel Pin.....	01
4448	748	" Oil Tube for intermediate bearing.	06
123E	750	" Screw.....	06
*7248	—	" Side Plate.....	75
122D	750	" " " Screw.....	05
283D	750	" " " Thumb Screw.....	10
6802	1705	" Shaft.....	1 50
3005	737	" " Bushing.....	15
448C	742	" " " Set Screw.....	03
6803	737	" " Collar with two 450F.....	25
450F	750	" " " Set Screw.....	02
6804	737	" " Gear with 453C.....	30
2117	748	" " " Pin.....	01
453C	742	" " " Set Screw.....	02
144D	750	" " " Screw.....	08
3197	1704	" Spool Pin (horizontal).....	20
7234	737	Balance Wheel (power) 3 in. pulley, 4 $\frac{1}{4}$ in. outside diameter, with two 448C	75
7370	1729	Balance Wheel (stand) heavy rim, 3 in. pulley, with two 448C.....	75
2862	1729	Balance Wheel (stand) heavy rim, 3 in. pulley, for 3022D.....	75
448C	742	Balance Wheel Set Screw.....	03
6805	737	" " Shaft.....	50
6806	737	" " " Gear with 453C...	30
2022	748	" " " " Pin.....	01
453C	742	" " " " Set Screw...	02
144D	750	" " " " Screw.....	08
2139	1711	" " Speed Pulley, 2 in. diam., with 451C.....	15
2140	1711	Balance Wheel Speed Pulley, 2 $\frac{1}{2}$ in. diam., with 437C.....	15

NO.	PLATE	NAME	EACH
451C	1700	Balance Wheel Speed Pulley Set Screw for 2139.....	\$ 03
437C	1700	Balance Wheel Speed Pulley Set Screw for 2140.....	04
256D	732	Clamp Stop Motion Clamp Screw.....	30
248F	1737	" " " " Stop Screw..	02
2020	732	" " " " Washer.....	05
*3023	—	" " " " Flanged Bushing	35
4933	732	" " " " " "	
		3023 with two 462C.....	35
2022	748	Clamp Stop Motion Flanged Bushing Pin.....	01
462C	743	Clamp Stop Motion Flanged Bushing Set Screw.....	02
3022D	—	Clamp Stop Motion complete, Nos. 248F, 256D, 2020 and 4933.....	75
4292	738	Crank Connecting Rod with 4349 and two 158E.....	70
*4349	—	Crank Connecting Rod Cap.....	15
158E	750	" " " " Screw.....	03
375C	742	" " " " Hinge Screw.....	12
1518E	742	" " " " " " Nut	04
*17314	—	Cylinder, 1 $\frac{3}{16}$ in. diam.....	10 00
17309	737	Face Plate with Tension Bracket (solid)	90
17310	—	Face Plate complete, Nos. 86D, 330D, 448C, 808F, 809F, 2105, 2107, 2127, 2248, 2410, 2411, 4377, 17309, two each 233D, 1560C, 2103 and four 2102	2 00
164D	750	Face Plate Screw.....	04
2107	748	" " Thread Guard.....	02
233D	742	" " " " Screw.....	02
6807	738	Feed Cam with 446C.....	35
446C	750	" " Set Screw.....	03
3033	742	" Connecting Link.....	20
375C	742	" " " " Hinge Screw.....	12
1518E	742	" " " " " " Nut	04
7106	736	" Dog, for $\frac{1}{32}$ in. to $\frac{1}{16}$ in. gauge....	35
17412	736	" " " " $\frac{3}{32}$ in. to $\frac{1}{8}$ in. gauge....	60
185H	750	" " Screw.....	02
6158	738	" Forked Connection.....	75
375C	742	" " " " Hinge Screw	12
1518E	742	" " " " " " "	
		Nut.....	04
6132	742	Feed Forked Connection Universal Joint	25
23C	742	" " " " " " "	
		Hinge Screw.....	15
5544	742	Feed Regulator Crank with two 448C...	25

NO.	PLATE	NAME	EACH
448C	742	Feed Regulator Crank Set Screw.....	\$ 03
5545	742	" " " Lever with 460C.....	35
5546	—	" " " 5545 with 330D and 5547.....	50
7958	2642	Feed Regulator Lever Pin.....	01
6815	742	" " " Segment.....	30
330D	742	" " " " Screw....	02
460C	742	" " " " Set Screw.....	02
5547	742	" " " " Spring.....	03
330D	742	" " " " " Screw....	02
238D	742	" " " " Stop Screw.....	02
286D	742	" " " " Thumb Screw...	10
5550	739	" " " Shaft.....	15
6137	1706	" Rock Shaft.....	50
16767	1706	" " " Arm with 453C.....	75
212C	750	" " " " Cap Screw....	04
6166	748	" " " " Pin.....	01
453C	742	" " " " Set Screw.....	02
300C	750	" " " " Screw Centre....	08
1513E	1737	" " " " " " Nut.....	05
17317	1711	" Rod.....	75
657C	750	" " Hinge Screw.....	10
17318	1714	" " Raising Block.....	15
207D	742	" " " " Screw.....	02
16639	1722	" " Spring.....	02
233D	742	" " " " Screw.....	02
17413	1730	Needle Bar, for $\frac{1}{32}$ in. to $\frac{1}{16}$ in. gauge.	50
4344	739	" " " $\frac{3}{32}$ in. to $\frac{1}{8}$ in. gauge....	50
3045	743	" " " Connecting Link.....	30
377C	743	" " " " H i n g e Screw.....	12
1518E	742	Needle Bar Connecting Link Hinge Screw Nut.....	04
2052	743	Needle Bar Connecting Stud with 155C.	25
155C	743	" " " " Set Screw..	03
3214	742	" " Guide with 400C and 453C..	25
400C	742	" " " Adjusting Screw.....	02
453C	742	" " " Set Screw.....	02
290E	750	" " Screw Bushing.....	06
17395	1722	" Clamp Body.....	50
17396	1722	" " Gib (left).....	25
14805	1722	" " " (right).....	10
196F	1722	" " Screw.....	02
14906	1722	" " Thread Guard.....	03
337D	1722	" " " " Screw.....	02
17397	—	Needle Clamp complete, for $\frac{1}{32}$ in. to $\frac{1}{16}$ in. gauge, for 17413, Nos. 196F, 337D, 14805, 14906, 17395 and 17396	95

NO.	PLATE	NAME	EACH
17414	1734	Needle Clamp with two 460F, for $\frac{3}{32}$ in. to $\frac{1}{8}$ in. gauge.	\$ 80
2273	748	Needle Clamp Pin	01
460F	742	" Set Screw	02
6818	1722	" Stripper, for $\frac{1}{32}$ in. to $\frac{1}{16}$ in. gauge, for 6141 and 6142.	1 00
6819	1722	Needle Stripper Bracket with 453C.	15
453C	742	" " " Set Screw	02
190D	750	" " " Screw	03
6022	738	Oscillating Rock Shaft (steel) with 4784	1 00
3052	1711	" " " Hinge Pin	50
1513E	1737	" " " " Nut	05
4784	743	" " " Oil Pad	01
7044	739	" Shaft	40
*17343	—	" " Crank with 1813.	50
17344	1715	" " " 17343 with two 462C.	50
2049	748	Oscillating Shaft Crank Pin	01
1813	743	" " " Roller and Stud	20
462C	743	" " " Set Screw	02
3054	739	Presser Bar	35
2062	743	" " Lifter	20
689C	743	" " " Screw	10
1520E	743	" " " Nut	03
5611	739	" " Lifting Bracket with 453C and 5613.	25
453C	742	Presser Bar Lifting Bracket Set Screw	02
290E	750	" " Screw Bushing	06
3056	1711	" " Spring (heavy)	05
2308	739	" " " (light)	05
2070	748	" " " Washer	01
17406	1707	" Foot, for $\frac{3}{32}$ in. to $\frac{1}{8}$ in. gauge, for general work.	1 00
17407	1707	Presser Foot, for $\frac{3}{32}$ in. to $\frac{1}{8}$ in. gauge, for staying.	1 50
190D	750	Presser Foot Screw	03
262E	750	Pressure Regulating Thumb Screw	25
1868	1731	Roller, $\frac{7}{8}$ in. diam., coarse, with 652D and 1528D, for 6141.	25
1841	—	Roller, $\frac{7}{8}$ in. diam., fine, with 652D and 1528D, for 6142.	25
6145	1731	Roller Arm	30
440F	1731	" " Adjusting Screw	03
1547D	1731	" " " Nut	03
2206	1731	" " Bracket	20
316F	1731	" " " Screw Centre	03
1547D	1731	" " " " Nut	03

NO.	PLATE	NAME	EACH
2205	1731	Roller Arm Lock Spring	\$ 04
176D	1731	" " " " Screw	03
1549D	1731	" " " " Nut	03
6141	1731	Roller Presser complete, $\frac{7}{8}$ in. coarse roller, for $\frac{1}{32}$ in. to $\frac{1}{16}$ in. gauge, Nos. 176D, 440F, 1549D, 1868, 2205, 2206, 6145, two 316F and three 1547D.	1 05
6142	—	Roller Presser complete, $\frac{7}{8}$ in. fine roller, for $\frac{1}{32}$ in. to $\frac{1}{16}$ in. gauge, Nos. 176D, 440F, 1549D, 1841, 2205, 2206, 6145, two 316F and three 1547D.	1 05
NOTE. No. 6142 is sent with this machine unless another Roller Presser is specified on order.			
190D	750	Roller Presser Screw	03
652D	1731	" Screw	08
1528D	1731	" " Nut	03
2996	1736	Shuttle Bobbin	05
16091	1733	" " Case Latch	10
16027	1733	" " " " Lever	10
2974	1736	" " " " " Fulcrum Pin	per 100 10
2975	1736	Shuttle Bobbin Case Latch Spring	02
592E	1736	" " " " Stop Screw	02
16092	—	" " " Hinge, Nos. 2974, 16027 and 16091.	25
17312	1715	Shuttle Bobbin Case Position Finger	05
2523	1736	" " " " Rivet	per 100 25
17324	1715	Shuttle Bobbin Case complete, Nos. 591F, 592E, 2523, 2975, 12499, 16092 and 17312.	85
7098	1715	Shuttle Body	90
591F	1736	" Tension Regulating Screw	02
12499	1733	" " Spring	10
17313	1715	Shuttle, 1 $\frac{1}{2}$ in. diam., Nos. 2996, 7098 and 17324.	1 75
7099	732	Shuttle Driver	75
2049	748	" " Pin	01
7101	731	" Race Body	2 75
7102	731	" " Ring	1 75
750D	1737	" " " Screw	03
7100	—	Shuttle Race complete, Nos. 7101, 7102 and four 750D.	4 50
180D	750	Shuttle Race Screw	03
2102	748	Tension Disc	05
1560C	1737	" Regulating Thumb Nut	04
3267	739	" Releaser	25

From the Library of the Board of Trade, London

NO.	PLATE	NAME	EACH
5613	748	Tension Releaser Pin.....	\$ 01
809F	750	" Screw Stud.....	15
808F	750	" " " Set Screw.....	03
2103	748	" Spring.....	03
4377	748	" Thread Eyelet (double).....	03
330D	742	" " " Screw.....	02
2410	748	Thread Guiding Roller.....	25
86D	750	" " " Screw.....	05
2411	748	" " " Stud.....	10
448C	742	" " " " Set Screw.....	03
2105	748	" " " Thread Guard..	03
3182	1725	" Take-up Cam (steel) with 446C.	1 25
3012	748	" " " Pin.....	01
446C	750	" " " Set Screw.....	03
3281	743	" " Lever with 1819.....	65
76C	743	" " " Hinge Screw.....	06
1819	743	" " " Roller and Stud.	20
2248	748	" " Spring.....	03
2127	748	" " " Regulator Plate	03
233D	742	" " " " " "	"
		Adjusting Screw.....	02
17415	736	Throat Plate for 7106.....	1 00
17416	736	" " " 17412.....	1 00
401D	750	" " Screw (back).....	02
220D	1737	" " " (front).....	02
6053	1705	Drip Pan.....	05

IRON BASE

NO.	PLATE	NAME	EACH
7169	1705	Machine Base with four each 318E, 6055 and wood screws 1 in. No. 12, for 19-4, 19-5, 19-8 and 19-11 to 19-14 Machines	\$ 75
318E	1700	Machine Bolt with 1524E, to secure machine to base.....	02
1524E	1737	Machine Bolt Nut.....	02
6055	748	" " " Washer.....	01

ACCESSORIES

NO.	PLATE	NAME	EACH
599E	1700	Bolt with 1524E, to secure machine to table.....	\$ 03
1524E	1737	Bolt Nut.....	02
6055	748	" " Washer.....	01
35859	1704	Oiler with Cap and 35861.....	07
35860	—	" 35859 filled with oil.....	10
35861	1704	" Spout, 3½ in. long.....	03
26026	1704	Screw Driver (machine).....	10
26485	1704	" " (shuttle tension).....	05
4822	1704	Wrench for 1528, 1547 and 1549.....	05
8908	1704	" " 1520.....	08
8909	1704	" " 1513, 1517 and 1518.....	10

HEMMERS (Foot)

NO.	PLATE	NAME	EACH
25897	1726	Hemmer (foot) ⅛ in. hem, for 19-9 and 19-11 to 19-14 Machines.....	\$1 00
25898	—	Hemmer (foot) ⅜ in. hem, for 19-9 and 19-11 to 19-14 Machines.....	1 00
26691	—	Hemmer (foot) ⅛ in. gauge, for 19-5 Machine.....	2 25
26692	1702	Hemmer (foot) ⅜ in. gauge, for 19-5 Machine.....	2 25

LAP SEAM FELLERS

NO.	PLATE	NAME	EACH
25834	967	Lap Seam Feller (foot) for 19-5 Machine	\$3 40
26171	968	Folder with 26503.....	5 25
26503	968	" Arm.....	1 00
26172	968	" Hinge Bracket with 446A and 2273.....	1 50
446A	750	Folder Hinge Bracket Set Screw.....	03
96B	1737	" " Screw.....	05
26173	968	" Lock Stud.....	05
26174	968	" " " Spring.....	05
228B	1737	" " " " Screw.....	02
2273	748	" Stop Pin.....	01
26175	968	Lap Seam Feller (hinged) complete for 19-15 Machine, Nos. 96B, 228B and 26171 to 26174.....	6 75
NOTE. Presser Foot No. 25961 is used with, but not included in, No. 26175.			
*26352	—	Folder.....	3 25
26483	1702	Lap Seam Feller (right hand) complete for 19-15 Machine, Nos. 26352 and 26480.....	3 40
26857	1728	Lap Seam Feller (right hand) on 26480, for gussets, for 19-15 Machine.....	3 40
26858	1728	Lap Seam Feller (left hand) on 26480, for gussets, for 19-15 Machine.....	3 40
26484	1702	Lap Seam Feller Holder.....	75
236F	1702	" " " " Screw.....	02
26480	—	" " " Slide.....	15
18055	1702	Presser Foot Hinge Pin.....	01
26504	—	" " Plate.....	2 00
26505	—	" " Shank.....	1 00
26254	1702	" " Spring.....	02
337D	1702	" " " Screw.....	02
25961	1702	Presser Foot (spring hinged) complete for 26175 for 19-15 Machine, Nos. 337D, 18055, 26254, 26504 and 26505	3 00
18055	1702	Presser Foot Hinge Pin.....	01
17360	—	" " Plate.....	2 00
17361	—	" " Shank with 330D.....	1 50

LAP SEAM FELLERS

73

NO.	PLATE	NAME	EACH
17362	746	Presser Foot (hinged) complete, hollow- ed across bottom between needle holes and heel, for riding seams, for lap seam feller, for 19-15 Machine, Nos. 17360, 17361 and 18055.....	\$3 50
330D	742	Presser Foot Clamping Screw.....	02

PRESSER FEET

NO.	PLATE	NAME	EACH
18055	1702	Presser Foot Hinge Pin.....	\$ 01
26862	—	" " Plate.....	2 00
26863	—	" " Shank.....	1 00
26254	1702	" " Spring.....	02
337D	1702	" " " Screw.....	02
26864	1727	Presser Foot (spring hinged) complete for 19-5 Machine, Nos. 337D, 18055, 26254, 26862 and 26863.....	3 00
26849	1726	Presser Foot.....	1 00
26850	1726	" " Guide.....	20
26644	1726	" " " Hinge Pin.....	01
26851	1726	" " " Spring.....	05
242D	1726	" " " " Screw.....	02
26852	1726	Presser Foot (spring guide) complete for 19-12 Machine, Nos. 242D, 26644 and 26849 to 26851.....	1 25
26853	1727	Presser Foot (strip folding) with guide for opening seams, for 19-15 Machine	3 50
26854	1727	Presser Foot with lap seam guide on bottom, for 19-15 Machine.....	1 75
26855	1727	Presser Foot (strip folding) with long folder, for 19-5 Machine.....	3 75
26856	1727	Presser Foot (strip folding) for 19-5 Machine.....	3 50

STRIP FOLDER

FOR MACHINE NO. 19-15

NO.	PLATE	NAME	EACH
26859	1702	Strip Folder on 26480.....	\$2 50
26484	1702	" " Holder.....	75
236F	1702	" " " Screw.....	02
26480	—	" " Slide.....	15

TAPE GUIDE ON SLIDE

FOR MACHINE NO. 19-15

NO.	PLATE	NAME	EACH
26860	—	Tape Guide Slide with 10248.....	\$ 15
10248	1734	" " " Stop Stud.....	01
26861	967	" " (tube) on 26860.....	1 50
26484	1702	" " Holder.....	75
236F	1702	" " " Screw.....	02

TAPE HOLDERS

TAPE HOLDER (8 in. Disc.)

NO.	PLATE	NAME	EACH
26061	989	Bracket Wire with Disc.....	\$ 20
26062	989	Disc (adjustable) with 35925.....	30
35925	1734	" Hub with 286D.....	10
286D	742	" " Thumb Screw.....	10
26325	737	Foot with 736D and three wood screws 1 in. No. 12.....	20
736D	1700	Foot Screw.....	10
26063	989	Tape Holder (straight) complete for 26065, Nos. 26061 and 26062.....	50
26065	—	Tape Holder with Foot complete, Nos. 26063 and 26325.....	70

TAPE HOLDER (10 in. Disc.)

NO.	PLATE	NAME	EACH
26066	989	Bracket Wire.....	\$ 20
26067	—	Bracket Wire complete, Nos. 26066, 26068 and 26072.....	60
26068	989	Disc.....	15
26069	989	" Hub.....	—
26070	—	" " Rivet..... per 100	10
26071	—	Disc complete, Nos. 26068, 26069 and three 26070.....	40
26064	737	Foot with 736D and three wood screws 1 in. No. 12.....	20
736D	1700	Foot Screw.....	10
26072	989	Tape Guide.....	—
26073	743	Tension Adjusting Collar with 286D....	15

TAPE HOLDERS

75

NO.	PLATE	NAME	EACH
286D	742	Tension Adjusting Collar Thumb Screw	\$ 10
13211	743	" Spring.....	02
26074	989	Tape Holder (offset) complete for 26343, Nos. 13211, 26067, 26071 and 26073.	1 25
26343	—	Tape Holder with Foot complete, Nos. 26064 and 26074.....	1 45

BOBBIN WINDERS

BOBBIN WINDER (Eccentric)

FOR 2073 AND 2210, FOR 7234

FOR MACHINES NOS. 19-4, 19-5, 19-11, 19-12, 19-15 AND 19-16

NO.	PLATE	NAME	EACH
2466	738	Eccentric.....	\$ 15
286D	742	" Thumb Screw.....	10
17321	738	Frame.....	15
2460	738	Friction Ring (rubber).....	02
2461	738	Pulley.....	08
2468	738	Spindle.....	12
2469	—	" 2468 with 2461.....	20
17322	738	Bobbin Winder (eccentric) complete, Nos. 286D, 2460, 2466, 2469 and 17321	60
161D	750	Bobbin Winder Screw.....	04

BOBBIN WINDER (Eccentric)

FOR 2073 AND 2210, FOR 7370

FOR MACHINES NOS. 19-4, 19-5, 19-11, 19-12, 19-15 AND 19-16

This Bobbin Winder is the same as 17322 with the following exception:

NO.	PLATE	NAME	EACH
7121	1723	Frame, in place of 17321.....	\$ 15
7120	1723	Bobbin Winder (eccentric) complete, Nos. 286D, 2460, 2466, 2469 and 7121	60

BOBBIN WINDER (Eccentric)

FOR 2073 AND 2210, FOR 2862

FOR MACHINES NOS. 19-4, 19-5, 19-11, 19-12, 19-15 AND 19-16

This Bobbin Winder is the same as 17322 with the following exception:

NO.	PLATE	NAME	EACH
7227	1724	Frame, in place of 17321.....	\$ 15
17336	1724	Bobbin Winder (eccentric) complete, Nos. 286D, 2460, 2466, 2469 and 7227	60

BOBBIN WINDER (Eccentric)

HAMBURG

FOR 2073 AND 2210, FOR 2862

FOR MACHINES NOS. 19-4, 19-5, 19-11, 19-12, 19-15 AND 19-16

This Bobbin Winder is the same as 17322 with the following exceptions:

NO.	PLATE	NAME	EACH
7227	1723	Frame, in place of 17321.....	\$ 15
2845	1723	Spindle, in place of 2468.....	15
2847	—	" 2845 with 2846.....	25
2846	1724	" for spool.....	10
7228	1723	Bobbin Winder (eccentric) Hamburg, complete, Nos. 286D, 2460, 2466, 2847 and 7227.....	70

BOBBIN WINDER (Eccentric)

FOR 2996, FOR 7234

FOR MACHINES NOS. 19-8 TO 19-10, 19-13, 19-14 AND 19-17

NO.	PLATE	NAME	EACH
2466	738	Eccentric.....	\$ 15
286D	742	" Thumb Screw.....	10
17321	1723	Frame.....	15
2460	738	Friction Ring (rubber).....	02
2461	738	Pulley.....	08
2693	1723	Spindle.....	12
2694	—	" 2693 with 2461.....	20
17323	1723	Bobbin Winder (eccentric) complete, Nos. 286D, 2460, 2466, 2694 and 17321.....	60
161D	750	Bobbin Winder Screw.....	04

BOBBIN WINDER (Eccentric)

FOR 2996, FOR 7370

FOR MACHINES NOS. 19-8 TO 19-10, 19-13, 19-14 AND 19-17

This Bobbin Winder is the same as 17323 with the following exception:

NO.	PLATE	NAME	EACH
7121	1723	Frame, in place of 17321.....	\$ 15
7122	1723	Bobbin Winder (eccentric) complete, Nos. 286D, 2460, 2466, 2694 and 7121.....	60

BOBBIN WINDER (Eccentric)

FOR 2996, FOR 2862

FOR MACHINES NOS. 19-8 TO 19-10, 19-13, 19-14 AND 19-17

This Bobbin Winder is the same as 17323 with the following exception:

NO.	PLATE	NAME	EACH
7227	1724	Frame, in place of 17321.....	\$ 15
17390	1724	Bobbin Winder (eccentric) complete, Nos. 286D, 2460, 2466, 2694 and 7227.....	60

BOBBIN WINDER (Eccentric)

HAMBURG

FOR 2996, FOR 2862

FOR MACHINES NOS. 19-8 TO 19-10, 19-13, 19-14 AND 19-17

This Bobbin Winder is the same as 17323 with the following exceptions:

NO.	PLATE	NAME	EACH
7227	1724	Frame, in place of 17321.....	\$ 15
2852	1724	Spindle, in place of 2693.....	15
2853	—	" 2852 with 2846.....	25
2846	1724	" for spool.....	10
17334	1724	Bobbin Winder (eccentric) Hamburg, complete, Nos. 286D, 2460, 2461, 2466, 2853 and 7227.....	70

BOBBIN WINDER

(SWINGING AUTOMATIC, RIGHT HAND)

FOR 2073 AND 2210

FOR MACHINES NOS. 19-4, 19-5, 19-11, 19-12, 19-15 AND 19-16

NO.	PLATE	NAME	EACH
27540	1703	Base.....	\$ 15
27302	1703	Frame.....	15
	32D 750	" Hinge Screw.....	10
27303	748	" Spring.....	03
27541	1703	Pulley.....	15
27305	1703	Spindle.....	20
27306	1703	Spool Pin.....	05
27307	1703	" Stand.....	10
27308	1703	Spool Stand complete, Nos. 418D, 1562D, 2106, 10141, 11241, 27306, 27307 and two each 2455 and wood screws 1 in. No. 10.....	35

BOBBIN WINDERS

NO.	PLATE	NAME	EACH
11241	1703	Spool Washer (cloth).....per 100	\$ 25
27309	1703	Stop Latch.....	08
35D	750	" " Hinge Screw.....	07
2455	748	Tension Disc.....	02
1562D	1737	" Regulating Thumb Nut.....	04
418D	750	" Screw Stud.....	08
10141	748	" Spring.....	01
2106	748	" Thread Guide.....	01
27646	1703	Bobbin Winder, Nos. 32D, 35D, 27302, 27303, 27305, 27309, 27540, 27541 and two wood screws 1 in. No. 7.....	90
27543	—	Bobbin Winder (swinging automatic, right hand) complete, Nos. 27308 and 27646.....	1 25

BOBBIN WINDER

(SWINGING AUTOMATIC, RIGHT HAND)

FOR 2996

FOR MACHINES NOS. 19-8 TO 19-10, 19-13, 19-14 AND 19-17

This Bobbin Winder is the same as 27543 with the following exceptions:

NO.	PLATE	NAME	EACH
15072	1734	Bobbin Position Pin.....per 100	\$ 10
27538	2445	Spindle with 15072, in place of 27305....	20
27312	2445	Stop Latch, in place of 27309.....	08
27647	2445	Bobbin Winder, Nos. 32D, 35D, 27302, 27303, 27312, 27538, 27540, 27541 and two wood screws 1 in. No. 7, in place of 27646.....	90
27544	—	Bobbin Winder (swinging automatic, right hand) complete, Nos. 27308 and 27647.....	1 25

BOBBIN WINDER

(SWINGING AUTOMATIC, RIGHT HAND)

HAMBURG

FOR 2996

FOR MACHINES NOS. 19-8 TO 19-10, 19-13, 19-14 AND 19-17

This Bobbin Winder is the same as 27543 with the following exceptions:

NO.	PLATE	NAME	EACH
27610	2445	Spindle with 15072, in place of 27305....	\$ 20
2846	2445	" for spool.....	10
27611	—	" 27610 with 2846.....	30

BOBBIN WINDERS

NO.	PLATE	NAME	EACH
27312	2445	Stop Latch, in place of 27309.....	\$ 08
27656	2445	Bobbin Winder, Nos. 32D, 35D, 27302, 27303, 27312, 27540, 27541, 27611 and two wood screws 1 in. No. 7, in place of 27646.....	1 00
27612	—	Bobbin Winder (swinging automatic, right hand) complete, Nos. 27308 and 27656.....	1 35

FOOT LIFTER PARTS

NO.	PLATE	NAME	EACH
6439	—	Chain, length 36 in. to 45 in.....	\$ 20
NOTE. When ordering No. 6439 give length required.			
4879	739	Chain Connecting Link for 4885.....	03
7170	1705	Lifting Lever.....	25
802D	750	" " Hinge Screw.....	10
16659	1704	" " Spring.....	05
4881	1705	Treadle.....	30
4882	739	" Shaft.....	05
4883	739	" Spring.....	10
4884	1705	" Stand.....	25
4885	1705	Treadle complete, Nos. 4879, 4881 to 4884 and two wood screws 1 in. No. 16	75
17335	—	Foot Lifter complete, Nos. 802D, 4885, 6439, 7170 and 16659.....	1 35

KNEE LIFTER PARTS

NO.	PLATE	NAME	EACH
7170	1705	Lifting Lever.....	\$ 25
802D	750	" " Hinge Screw.....	10
16659	1704	" " Spring.....	05
6333	1705	Pitman for 17338.....	05
6343	1705	" " 17337.....	05
7124	1705	Rock Shaft.....	10
2764	1705	" " Hanger with two wood screws 1 in. No. 10.....	08
6335	1705	Rock Shaft Knee Arm.....	10

KNEE LIFTER PARTS

NO.	PLATE	NAME	EACH
6336	—	Rock Shaft Knee Arm complete, Nos. 2766, 2767 and 6335.....	\$ 40
2766	1705	Rock Shaft Knee Arm Hub with 356C..	15
356C	750	" " " " Set Screw...	06
2767	1705	" " " " Plate with 356C.....	18
356C	750	" " " " Set Screw.....	06
6337	1705	" " " " Lifting Bracket with two 356C.....	20
7125	1705	Rock Shaft Lifting Bracket Hook.....	15
356C	750	" " " " " Set Screw.....	06
356C	750	Rock Shaft Lifting Bracket Set Screw..	06
2770	1705	" " " " Stop Dog with 356C.....	12
356C	750	" " " " Set Screw.....	06
7126	1705	Rock Shaft complete, Nos. 2770, 6336, 6337, 7124, 7125 and two 2764.....	1 10
17337	—	Knee Lifter complete (power table) for 19-9, 19-10 and 19-15 to 19-17 Machines, Nos. 802D, 6343, 7126, 7170 and 16659.....	1 60
17338	—	Knee Lifter complete (power table) for 19-4, 19-5, 19-8 and 19-11 to 19-14 Machines, Nos. 802D, 6333, 7126, 7170 and 16659.....	1 60

STAND

ROCKING TREADLE

NO.	PLATE	NAME	EACH
25124	1738	Band Wheel, 12½ in. diam., with 2117 and 25010.....	\$1 10
25010	1738	Band Wheel Crank.....	15
2117	748	" " " " Pin.....	01
297C	1700	" " " " Screw Centre.....	10
1507E	1737	" " " " " Nut...	05
25023	—	Belt, size ¼ in., length 65 in., with 25127, for 19-4, 19-5, 19-8 and 19-11 to 19-14 Machines.....	20
25372	—	Belt, size ¼ in., length 63 in., with 25127, for 19-9, 19-10 and 19-15 to 19-17 Machines.....	20
25127	1722	Belt Hook.....	01
25191	1738	Brace with three each 297C and 1507E..	1 70
506E	1700	Brace Bolt with 1510E.....	03

STAND

NO.	PLATE	NAME	EACH
1510E	1737	Brace Bolt Nut.....	\$ 02
25050	1738	Dress Guard.....	25
1059E	1700	" " Bolt with 1510E.....	03
1510E	1737	" " " " Nut.....	02
25067	1738	Leg.....	1 50
25123	—	Pitman Adjusting Block.....	02
558E	1700	" " " " Screw.....	03
1570E	1737	" " " " Nut.....	02
25075	1722	" " " " Washer.....	01
25074	1738	Pitman (adjustable) complete with two each 558E, 1570E, 25075 and 25123..	25
7958	2642	Pitman Pin.....	01
11742	1734	" Washer.....	01
25445	1738	Treadle.....	65
297C	1700	" " " " Screw Centre.....	10
1507E	1737	" " " " Nut.....	05
25086	1738	Wrench for 1507 and 1510.....	10
25216	—	Stand (iron work) rocking treadle complete, Nos. 1059E, 7958, 11742, 25050, 25074, 25086, 25124, 25191, 25445, two 25067 and four 506E.....	—

THREAD UNWINDERS

THREAD UNWINDER

FOR ONE LARGE SPOOL OR ONE LARGE CONE OF THREAD

NO.	PLATE	NAME	EACH
27623	2836	Spool Pin.....	\$ 08
155c	743	" " Set Screw.....	03
41526	2836	" Rest.....	20
41527	—	" " 41526 with 155c, 1149c and 27623.....	35
1149c	1737	Spool Rest Set Screw.....	04
27940	2836	" Stand with 453c.....	20
41514	2836	" Weight, 4 in. diam., with 41515..	15
41515	1734	" " Centre Pin.....	05
27739	2836	Thread Cone (wood).....	05
41630	2836	" Guard with 208E and 41569.....	20
41569	1734	" " Eyelet.....	02
41637	2836	" " Rod (lower).....	10
41638	2836	" " " (upper).....	15
41639	2836	" " " Coupling with two 456c.....	20
456c	1737	Thread Guard Rod Coupling Set Screw.	02
41640	—	Thread Guard Rod complete, 30 in. long, Nos. 41637 to 41639.....	45
453c	742	Thread Guard Rod Set Screw.....	02
208E	1737	" " Screw.....	02
41529	2836	Thread Unwinder complete, Nos. 27739, 27940, 41514, 41527, 41630, 41640 and three wood screws 1 in. No. 12.....	1 30

THREAD UNWINDER

FOR TWO LARGE SPOOLS OR TWO LARGE CONES OF THREAD

NO.	PLATE	NAME	EACH
27623	2837	Spool Pin.....	\$ 08
155c	743	" " Set Screw.....	03
41530	2837	" Rest.....	30
41531	—	" " 41530 with 1149c and two each 155c and 27623.....	50
1149c	1737	Spool Rest Set Screw.....	04
27940	2837	" Stand with 453c.....	20
41514	2837	" Weight, 4 in. diam., with 41515..	15

THREAD UNWINDERS

83

NO.	PLATE	NAME	EACH
41515	1734	Spool Weight Centre Pin.....	\$ 05
27739	2837	Thread Cone (wood).....	05
41631	2837	" Guard with 208E and two 41569	35
41569	1734	" " Eyelet.....	02
41637	2837	" " Rod (lower).....	10
41638	2837	" " " (upper).....	15
41639	2837	" " " Coupling with two 456c.....	20
456c	1737	Thread Guard Rod Coupling Set Screw.	02
41640	—	Thread Guard Rod complete, 30 in. long, Nos. 41637 to 41639.....	45
453c	742	Thread Guard Rod Set Screw.....	02
208E	1737	" " Screw.....	02
41533	2837	Thread Unwinder complete, Nos. 27940, 41531, 41631, 41640, two each 27739, 41514 and three wood screws 1 in. No. 12.....	1 80

UNDER DRIVER

LEVER PRESSURE, THREE SPEED, RIGHT HAND
(OIL CONTROLLING PULLEY)

NO.	PLATE	NAME	EACH
27508	362	Belt Guard.....	\$ 08
649E	1700	" " Screw.....	05
27509	362	Cone Pulley (grooved) three speed, 2½ in., 3¾ in. and 5¼ in. diam., with 27473.....	60
27473	1101	Cone Pulley Centre Bearing.....	08
27474	363	Dress Guard (right hand).....	08
138E	1101	" " Screw.....	05
27630	362	Driving Pulley (grooved) 6 in. diam., with 433c, 27598 and two 7958.....	60
27598	—	Driving Pulley Friction Ring (leather)	05
7958	2642	" " " " Stop Pin..	01
27631	1101	" " Hollow Stud with 27600	15
27600	1101	" " " " Position Stud.....	02
356c	750	Driving Pulley Hollow Stud Set Screw..	06
27632	—	" " " " Wick.....	01
27633	—	" " " " " Wire with 27632.....	05
433c	1101	Driving Pulley Screw Centre Bearing	08
7958	2642	" " " " " "	01
		Dowel Pin.....	01

From the library of: Diamond Needle Co.

UNDER DRIVER

NO.	PLATE	NAME	EACH
27634	362	Frame.....	\$ 60
41338	362	Lever.....	25
27483	1101	" Brake Spring.....	02
27497	1101	" " Strip (leather).....	02
12178	1101	" Centre Plug (wood).....	01
427E	1101	" " " Adjusting Screw.....	08
1508E	1101	" " " " " Nut.....	06
27485	1101	" Hinge Pin.....	01
27635	362	Oil Cup.....	25
145E	1737	" " Screw.....	04
27070	363	Shaft Driving Pulley (sectional, grooved) 10 in. diam., 1 3/16 in. bore, with two 597C.....	45
597C	2642	Shaft Driving Pulley Clamping Screw..	08
27636	363	Treadle.....	30
9082	1101	" Bearing Cotter Pin.....	01
27637	362	" Pitman Rod (lower).....	05
27638	1101	" " " " Spring.....	03
27639	362	" " " (upper).....	05
9079	362	" " " Clamp with 354C... ..	12
354C	1101	" " " " Screw.....	06
27640	362	Treadle Pitman complete, Nos. 2762, 9079 and 27637 to 27639.....	35
2878	363	Treadle Stand.....	15
2762	2642	" Stop Collar with 362F.....	10
362F	2642	" " " Set Screw.....	05
27642	---	Treadle complete, Nos. 2878, 9082, 27636 and four wood screws 1 in. No. 16.....	45
27643	---	Treadle and Pitman complete, Nos. 27640 and 27642.....	80
27644	---	Transmitter complete for 27645, Nos. 138E, 356C, 427E, 649E, 1508E, 12178, 27474, 27483, 27485, 27497, 27508, 27509, 27630, 27631, 27633 to 27635, 41338, two 145E and four wood screws 1 1/2 in. No. 16.....	3 00
27645	---	Under Driver, lever pressure, right hand, three speed (oil controlling pulley) complete, Nos. 27070, 27643 and 27644.....	4 00

UNDER DRIVER

BALL BEARING

LEVER PRESSURE, TWO SPEED, RIGHT HAND

NO.	PLATE	NAME	EACH
27750	2640	Cone Pulley (grooved) two speed, 3 3/4 in. and 5 1/4 in. diam., with 878D and 12459.....	\$ 60
25303	2641	Cone Pulley Ball, size 1/4 in.... per 100	1 00
27753	2641	" " " Bearing Adjusting Ring.....	15
1143C	2641	Cone Pulley Ball Bearing Adjusting Ring Set Screw.....	03
27795	2641	Cone Pulley Ball Bearing Adjusting Ring Set Screw Washer..... per 100	25
878D	2641	Cone Pulley Oil Hole Stop Screw.....	06
12459	2641	" " " " " Washer (leather)..... per 100	50
27755	2640	Dress Guard (right hand).....	10
348C	2642	" " " Screw.....	06
2718	2642	" " " Washer.....	01
27756	2640	Driving Pulley (grooved) 6 in. diam., with 315C, 7958 and 27598.....	60
27598	---	Driving Pulley Friction Ring (leather)..	05
7958	2642	" " " " " Stop Pin..	01
315C	2642	" " " Set Screw.....	04
27757	2641	" " " Shaft.....	60
25303	2641	" " " " Ball, size 1/4 in., per 100.....	1 00
27751	2641	Driving Pulley Shaft Ball Bearing Collar	25
27752	2641	" " " " " " "	04.
27758	2641	Driving Pulley Shaft Ball Safety Washer	01
27759	2641	" " " " Screw Bearing Ball Case (left).....	20
27760	---	Driving Pulley Shaft Screw Bearing Ball Case (left) complete, Nos. 27758, 27759, 27761 to 27763 and twelve 25303.....	50
27761	2641	Driving Pulley Shaft Screw Bearing Ball Case (left) Friction Stud.....	10
25303	2641	Driving Pulley Shaft Screw Bearing Ball Case (left) Friction Stud Ball, size 1/4 in.... per 100	1 00

UNDER DRIVER

NO.	PLATE	NAME	EACH
27762	2641	Driving Pulley Shaft Screw Bearing Ball Case (left) Friction Stud Ball Plate..	\$ 05
27763	2641	Driving Pulley Shaft Screw Bearing Ball Case (left) Friction Stud Ball Plate Washer.....	01
27754	2641	Driving Pulley Shaft Screw Bearing Ball Case (left) Friction Stud Extension Pin.....	02
1122c	2641	Driving Pulley Shaft Screw Bearing Ball Case (left) Set Screw.....	03
27764	2641	Driving Pulley Shaft Screw Bearing Ball Case (right).....	20
27765	—	Driving Pulley Shaft Screw Bearing Ball Case (right) complete, Nos. 27758, 27764 and eight 25303.....	30
1122c	2641	Driving Pulley Shaft Screw Bearing Ball Case (right) Set Screw.....	03
27766	2640	Frame with two 1122c.....	75
27767	2640	Lever with 27768 and two 27878.....	35
1093c	2642	" Adjusting Screw.....	10
1513E	2642	" " " Nut.....	05
27768	2642	" Brake (leather, two pieces).....	03
27878	2642	" " Rivet.....	01
1092E	2642	" Hinge Screw.....	20
1507E	2642	" " " Nut.....	05
27769	2642	" Spring.....	10
27070	363	Shaft Driving Pulley (sectional, grooved) 10 in. diam, 1 3/8 in bore, with two 597c.....	45
597c	2642	Shaft Driving Pulley Clamping Screw..	08
27636	363	Treadle.....	30
9082	2642	" Bearing Cotter Pin.....	01
27637	2640	" Pitman Rod (lower).....	05
27638	2642	" " " Spring.....	03
27639	2640	" " " (upper).....	05
9079	2640	" " " Clamp with 354c..	12
354c	2642	" " " Screw.....	06
27640	2640	Treadle Pitman complete, Nos. 2762, 9079 and 27637 to 27639.....	35
2878	363	Treadle Stand.....	15
2762	2642	" Stop Collar with 362F.....	10
362F	2642	" " " Set Screw.....	05
27642	—	Treadle complete, Nos. 2878, 9082, 27636 and four wood screws 1 in. No. 16.....	45
27643	—	Treadle and Pitman complete, Nos. 27640 and 27642.....	80

UNDER DRIVER

NO.	PLATE	NAME	EACH
27770	—	Transmitter complete, Nos. 348c, 1092E, 1093c, 1507E, 1513E, 2718, 27750 to 27752, 27754 to 27757, 27760, 27765 to 27767, 27769, two each 1143c, 27753, 27795, three wood screws 2 in. No. 16 and twenty-two 25303.....	\$3 00
27771	—	Under Driver (ball bearing) lever pressure, right hand, two speed, complete, Nos. 27070, 27643 and 27770.....	4 00

OBSOLETE PARTS

NO.	PLATE	NAME	EACH
17388	1718	Feed Dog, for 1/32 in. to 1/16 in. gauge, for 19-17 Machine.....	\$ 40
6166	748	Feed Regulator Crank Pin.....	01
2049	748	" " Lever Pin.....	01
17327	738	" Rock Shaft for 6167, for 19-15 and 19-16 Machines.....	50
6167	738	Feed Rock Shaft Arm with 453c for 17327.....	50
304c	1700	Feed Rock Shaft Screw Centre.....	06
17328	742	" Rod Spring for 19-15 and 19-16 Machines.....	02
5667	1729	Foot Lever.....	15
5668	1729	" " 5667 with 5669, 5671 and three wood screws 1 1/2 in. No. 16, for 7135.....	40
5669	1729	Foot Lever Bracket for 5668.....	10
5671	1734	" " Hinge Pin for 5668.....	01
5672	1704	" " Lifting Spring for 7135.....	03
7135	—	Foot Lifter complete for 19-9 and 19-11 to 19-14 Machines, Nos. 122D, 2269, 2717, 2718, 5608, 5668, 5672, 6348, 6439 and 16659.....	1 25
7127	1709	Knee Lever.....	25
7130	1709	" " Hanger (back) for 7127.....	08
7128	1709	" " " (front) with 141E, for 7127.....	10
141E	1700	Knee Lever Stop Screw.....	04
7123	—	Knee Lifter complete (power table) for 19-8 to 19-14 Machines, Nos. 2269, 2717, 2718, 5608, 6333, 6348, 7126 and 16659.....	1 75

OBSOLETE PARTS

NO.	PLATE	NAME	EACH
7134	---	Knee Lifter complete (stand) for 19-8 to 19-14 Machines, Nos. 2269, 2717, 2718, 5608, 6343, 6348, 7126 and 16659	\$1 75
6348	1729	Lifting Lever for 7123, 7134 and 7135	25
2717	1734	" " Stud for 7123, 7134 and 7135	05
2269	748	Lifting Lever Stud Pin for 7123, 7134 and 7135	01
2718	2642	Lifting Lever Stud Washer for 7123, 7134 and 7135	01
6489	738	Oscillating Rock Shaft Hinge Pin	50
7131	1709	Pitman Lever with 7132 and 7133	30
7132	1709	" " Bracket	10
7133	1714	" " Hinge Pin	01
7238	1701	Throat Plate (old needle location) for 7021, for 19-16 Machine	75
17389	1718	Throat Plate for 17388	1 00
FOR MACHINE NO. 19-4			
3205	1706	Face Plate, slotted for 3214, with 3265 and two 190D, for 3206	90
3206	---	Face Plate complete, Nos. 86D, 330D, 448C, 2105, 2107, 2124, 2127, 2410, 2411, 2413, 3205, two each 233D, 637F, 1560C, 2103 and four 2102	2 00
6129	1719	Feed Dog, $\frac{1}{16}$ in. gauge, for 180	35
180D	750	" " Screw	03
6131	1725	" Forked Connection	75
6808	732	" Regulator Lever with 460C	60
6809	---	" " " 6808 with 190D and 6810	80
732D	1737	Feed Regulator Lever Adjusting Thumb Screw	10
1584E	1737	Feed Regulator Lever Adjusting Thumb Screw Nut	08
3146	1722	Feed Regulator Lever Adjusting Thumb Screw Washer	01
6810	732	Feed Regulator Lever Friction Plate for 6809	20
190D	750	Feed Regulator Lever Friction Plate Screw	03
732D	1737	Feed Regulator Lever Friction Plate Thumb Screw	10
2049	748	Feed Regulator Lever Pin	01
6811	732	" " " Segment	35
6138	1711	" Rock Shaft Arm with 457C	50
457C	1700	" " " " Set Screw	02

OBSOLETE PARTS

NO.	PLATE	NAME	EACH
304C	1700	Feed Rock Shaft Screw Centre	\$ 06
6135	1706	" Rod	75
6136	1734	" " Raising Block	15
178D	1737	" " " " Screw	03
6130	1734	" " Spring	02
208D	1737	" " " " Screw	02
6817	1711	Needle Bar for 2388	50
2388	1734	" Clamp with 196F and 240D	25
2395	1734	" " Gib	10
2389	1734	" " Thread Guard	03
240D	1701	" " " " Screw	02
6021	1706	Oscillating Rock Shaft with 197D, 2170 and two each 2173 and 2174	85
2170	1734	Oscillating Rock Shaft Oil Pad	01
197D	1737	" " " " " Screw	02
2173	1734	" " " " Steel Plate	06
2174	1734	" " " " " Rivet	01
3220	1735	Presser Bar Spring Bracket with 453C and 5613	25
453C	742	Presser Bar Spring Bracket Set Screw	02
3265	1706	Tension Bracket	10
3266	---	Tension Bracket complete, Nos. 330D, 2413, 3265, two each 637F, 1560C, 2103 and four 2102	70
190D	750	Tension Bracket Screw	03
637F	1714	" Screw Stud	08
2413	1735	" Thread Eyelet (double)	03
FOR MACHINE NO. 19-5			
6823	732	Cloth Plate for 6991	1 00
6826	732	" " " 7006 and 7179	1 00
3205	1706	Face Plate, slotted for 3214, with 3265 and two 190D, for 3206	90
3206	---	Face Plate complete, Nos. 86D, 330D, 448C, 2105, 2107, 2124, 2127, 2410, 2411, 2413, 3205, two each 233D, 637F, 1560C, 2103 and four 2102	2 00
6827	1707	Feed Dog, for $\frac{3}{32}$ in. to $\frac{5}{16}$ in. gauge, for 180	60
6831	1707	Feed Dog, for $\frac{3}{32}$ in. to $\frac{5}{16}$ in. gauge, for lap seam feller, for 180	65
7025	1707	Feed Dog, for $\frac{3}{32}$ in. to $\frac{5}{16}$ in. gauge, for lap seam feller, for 185	60
17350	745	Feed Dog, for leather (feeding surface at left of needle)	60
180D	750	Feed Dog Screw	03
17327	738	" Rock Shaft for 6167	50

OBSOLETE PARTS

NO.	PLATE	NAME	EACH
6167	738	Feed Rock Shaft Arm with 453C, for 17327.....	\$ 50
6135	1706	Feed Rod.....	75
17328	742	" " Spring.....	02
3342	1706	Needle Bar.....	40
3344	1706	" "	40
6835	—	" " for 6836, use 4344.....	40
7030	1708	" " Thread Eyelet for 3342.....	01
7031	1708	" " " " " 7034.....	01
7032	1708	" Clamp with 196F, for $\frac{3}{32}$ in. to $\frac{1}{8}$ in. gauge, old needle location, for 3342.....	50
6836	1708	Needle Clamp with two 460F, for $\frac{3}{32}$ in. to $\frac{5}{16}$ in. gauge, old needle location, for 4344.....	60
3350	1708	Needle Clamp with two 196F, for $\frac{3}{64}$ in. to $\frac{3}{16}$ in. gauge, for 3342.....	50
7034	1708	Needle Clamp with 465F and two 624F, for $\frac{1}{16}$ in. to $\frac{5}{16}$ in. gauge, old needle location, for 3044.....	75
465F	1721	Needle Clamp Set Screw for 7034.....	02
624F	1737	" Set Screw for 7034.....	03
196F	1722	" " " " 3350 and 7032....	02
460F	742	" " " " 6836.....	02
6812	1707	Presser Foot, for inside stays (shoes) old needle location.....	1 50
6851	1707	Presser Foot (short shank) old needle location.....	1 00
6908	1735	Shuttle (inside) closed eye, $\frac{3}{32}$ in. to $\frac{5}{16}$ in. gauge, complete, Nos. 112D, 466H, 2076, 2080, 2210, 3238, 3241, 3242, 3382 and 6945.....	1 00
6909	—	Shuttle (inside) closed eye, $\frac{3}{32}$ in. to $\frac{5}{16}$ in. gauge, complete, Nos. 112D, 466H, 2076, 2080, 2210, 3238, 3241, 3242, 3383 and 6945.....	1 00
*3382	—	Shuttle (inside) Body with 398E, 2084 and 3239, for 6908.....	50
*3383	—	Shuttle (inside) Body with 398E, 2084, 3230, 3239 and two 2212, for 6909....	55
6946	1708	Shuttle Driver, old needle location.....	2 00
6976	1708	" Race Loop Separator, for $\frac{3}{32}$ in. to $\frac{5}{32}$ in. gauge, old needle location, for 6961.....	1 00
6981	1708	Shuttle Race Loop Separator, for $\frac{1}{16}$ in. to $\frac{5}{16}$ in. gauge, old needle location, for 6961.....	50

OBSOLETE PARTS

NO.	PLATE	NAME	EACH
6961	1708	Shuttle Race complete, old needle location, Nos. 240D, 629D, 6976 or 6981 and two 2049.....	\$5 00
3265	1706	Tension Bracket.....	10
3266	—	Tension Bracket complete, Nos. 330D, 2413, 3265, two each 637F, 1560C, 2103 and four 2102.....	70
190D	750	Tension Bracket Screw.....	03
637F	1714	" Screw Stud.....	08
2413	1735	" Thread Eyelet (double).....	03
6991	1707	Throat Plate for 6827 and 7021, old needle location.....	60
7006	1707	Throat Plate for 6831 and 7025, old needle location.....	65
17351	745	Throat Plate for 17350.....	60
FOR MACHINE NO. 19-8			
7058	1710	Face Plate for 600 and 2111.....	50
7092	1710	" " for 600.....	50
193D	1737	" " Screw for 7058 and 7092.....	03
7059	—	Feed Dog for 180, use 7091.....	1 50
180D	750	" " Screw.....	03
6131	1725	" Forked Connection.....	75
6138	1711	" Rock Shaft Arm with 457C.....	50
457C	1700	" " " " Set Screw.....	02
304C	1700	" " " " Screw Centre.....	06
6135	1706	" Rod.....	75
6136	1734	" " Raising Block.....	15
178D	1737	" " " " Screw.....	03
6130	1734	" " Spring.....	02
268D	1737	" " " " Screw.....	02
7062	731	Needle Bar Frame Cam.....	1 25
7063	731	" " " " 7062 with 180F and 7064.....	2 00
7064	731	Needle Bar Frame Cam Bevel Gear....	75
7065	731	" " " " Cover.....	25
180F	750	" " " " Screw.....	03
7066	1714	" " " " Driving Bevel Pinion, 18 teeth, with two 453C.....	30
7067	1710	Needle Bar Frame Pitman.....	40
7069	1714	" " " " Regulator with 1820 and two 226D.....	80
185H	750	Needle Bar Frame Regulator Cap Screw	02
7071	1722	" " " " " " " " Washer.....	01
1820	1737	Needle Bar Frame Regulator Roller and Stud.....	20

OBSOLETE PARTS

NO.	PLATE	NAME	EACH
6021	1706	Oscillating Rock Shaft with 197D, 2170 and two each 2173 and 2174.....	\$ 85
2170	1734	Oscillating Rock Shaft Oil Pad.....	01
197D	1737	" " " " " Screw..	02
2173	1734	" " " " " Steel Plate.....	06
2174	1734	" " " " " Rivet	01
*7225	—	" Shaft Crank with 1813.....	50
7054	1734	" " " 7225 with two 462C.....	50
16025	—	Shuttle Bobbin Case Hinge, Nos. 2974, 16026 and 16027, for 15087 and 15127	25
7082	—	Shuttle Bobbin Case Latch for 7084, use 6666.....	10
6666	1733	Shuttle Bobbin Case Latch for 7084.	10
16026	1733	" " " " " 16025	10
2521	1733	" " " " " Spring for 7084.....	02
7083	—	Shuttle Bobbin Case Position Finger for 7084, use 6667.....	10
6667	1733	Shuttle Bobbin Case Position Finger for 7084.....	05
16028	1733	Shuttle Bobbin Case Position Finger for 15087 and 15127.....	05
7084	1733	Shuttle Bobbin Case complete for 7080, Nos. 591F, 592E, 2521, 2523, 6666, 6667 and 7086, use 15127.....	85
15087	1733	Shuttle Bobbin Case complete for 15086, Nos. 591F, 592E, 2523, 2975, 7086, 16025 and 16028, use 15127.....	85
15127	1733	Shuttle Bobbin Case complete for 7080, 15086 and 17301, Nos. 591F, 592E, 2523, 2975, 12499, 16025 and 16028, use 15148.....	85
17303	1715	Shuttle Body for 17301.....	90
17302	1715	" Tension Spring for 17301.....	10
7086	—	" " " " 7084 a n d 15087, use 12499.....	10
17301	1715	Shuttle, 1 $\frac{1}{16}$ in. diam. (left hand) short keel, Nos. 2996, 15127 and 17303....	1 75
7080	—	Shuttle, 1 $\frac{1}{16}$ in. diam. (left hand) Nos. 2996, 7084 and 7085, use 15086.....	1 75
15086	—	Shuttle, 1 $\frac{1}{16}$ in. diam., Nos. 2996, 7085 and 15087, use 15126.....	1 75
7174	732	Shuttle Driver (left hand) for 17301....	75
141C	1700	Tension Screw Stud Clamping Screw for 7092.....	04

OBSOLETE PARTS

FOR MACHINE NO. 19-9

NO.	PLATE	NAME	EACH
*7093	—	Cylinder, 1 $\frac{3}{16}$ in. diam.....	\$10 00
*7094	—	" 7093 with 7100 and three 180D 14	50
7095	—	Feed Dog for 180, for cloth, use 7105...	35
7096	—	" " " " " leather, use 7106	35
7222	735	" " (reversible) for 185.....	35
7236	1716	" " " " " ".....	35
180D	750	" " Screw.....	03
6131	1725	" Forked Connection.....	75
6808	732	" Regulator Lever with 460c.....	60
6809	—	" " " 6808 with 190D and 6810.....	80
732D	1737	Feed Regulator Lever Adjusting Thumb Screw.....	10
1584E	1737	Feed Regulator Lever Adjusting Thumb Screw Nut.....	08
3146	1722	Feed Regulator Lever Adjusting Thumb Screw Washer.....	01
6810	732	Feed Regulator Lever Friction Plate	30
190D	750	" " " " " " Screw.....	03
732D	1737	Feed Regulator Lever Friction Plate Thumb Screw.....	10
2049	748	Feed Regulator Lever Pin.....	01
6811	732	" " " Segment.....	35
6134	1730	" " Shaft.....	15
6138	1711	" Rock Shaft Arm with 457C.....	50
457C	1700	" " " " " Set Screw.....	02
304C	1700	" " " " " Screw Centre.....	06
6135	1706	" Rod.....	75
6136	1734	" " Raising Block.....	15
178D	1737	" " " " " Screw.....	03
6130	1734	" " Spring.....	02
208D	1737	" " " " " Screw.....	02
6021	1706	Oscillating Rock Shaft with 197D, 2170 and two each 2173 and 2174.....	85
2170	1734	Oscillating Rock Shaft Oil Pad.....	01
197D	1737	" " " " " " Screw..	02
2173	1734	" " " " " Steel Plate.....	06
2174	1734	" " " " " Rivet	01
7240	1709	Pitman, 12 in. long.....	05
16025	—	Shuttle Bobbin Case Hinge, Nos. 2974, 16026 and 16027, for 15087 and 15127	25
7082	—	Shuttle Bobbin Case Latch for 7084, use 6666.....	10
6666	1733	Shuttle Bobbin Case Latch for 7084....	10
16026	1733	" " " " " 16025....	10

OBSOLETE PARTS

NO.	PLATE	NAME	EACH
2521	1733	Shuttle Bobbin Case Latch Spring for 7084.....	\$ 02
7083	—	Shuttle Bobbin Case Position Finger for 7084, use 6667.....	10
6667	1733	Shuttle Bobbin Case Position Finger for 7084.....	05
16028	1733	Shuttle Bobbin Case Position Finger for 15087 and 15127.....	05
7084	1733	Shuttle Bobbin Case complete for 7097, Nos. 591F, 592E, 2521, 2523, 6666, 6667 and 7086, use 15127.....	85
15087	1733	Shuttle Bobbin Case complete for 17304, Nos. 591F, 592E, 2523, 2975, 7086, 16025 and 16028, use 15127.....	85
15127	1733	Shuttle Bobbin Case complete for 7097 and 17304, Nos. 591F, 592E, 2523, 2975, 12499, 16025 and 16028, use 15148.....	85
7086	—	Shuttle Tension Spring for 7084 and 15087, use 12499.....	10
7097	—	Shuttle, 1½ in. diam. (left hand) Nos. 2996, 7084 and 7098, use 17304.....	1 75
17304	—	Shuttle, 1½ in. diam. (left hand) Nos. 2996, 7098 and 15087, use 17313.....	1 75
7237	1716	Throat Plate for 7236.....	1 00
FOR MACHINE NO. 19-10			
*7093	—	Cylinder, 1¾ in. diam.....	10 00
*7107	—	" 7093 with 7113 and three 180D.....	14 50
7058	1710	Face Plate for 600 and 2111.....	50
7092	1710	" " " ".....	50
193D	1737	" " Screw for 7058 and 7092.....	03
7108	—	Feed Dog for 180, use 7118.....	1 50
7109	—	" " " " 7119.....	1 50
180D	750	" " Screw.....	03
6131	1725	" Forked Connection.....	75
6138	1711	" Rock Shaft Arm with 457C.....	50
457c	1700	" " " " Set Screw.....	02
304c	1700	" " " " Screw Centre.....	06
6135	1706	" Rod.....	75
6136	1734	" Raising Block.....	15
178D	1737	" " " " Screw.....	03
6130	1734	" " Spring.....	02
208D	1737	" " " " Screw.....	02
7062	731	Needle Bar Frame Cam.....	1 25
7063	731	" " " " 7062 with 180F and 7064.....	2 00

OBSOLETE PARTS

NO.	PLATE	NAME	EACH
7064	731	Needle Bar Frame Cam Bevel Gear....	\$ 75
7065	731	" " " " Cover.....	25
180F	750	" " " " Screw.....	03
7066	1714	" " " Driving Bevel Pinion, 18 teeth, with two 453C.....	30
7067	1710	Needle Bar Frame Pitman.....	40
7069	1714	" " " Regulator with 1820 and two 226D.....	80
185H	750	Needle Bar Frame Regulator Cap Screw	02
7071	1722	" " " " " " Washer.....	01
1820	1737	Needle Bar Frame Regulator Roller and Stud.....	20
6021	1706	Oscillating Rock Shaft with 197D, 2170 and two each 2173 and 2174.....	85
2170	1734	Oscillating Rock Shaft Oil Pad.....	01
197D	1737	" " " " " " Screw..	02
2173	1734	" " " " " " Steel Plate.....	06
2174	1734	" " " " " " Rivet	01
*7225	—	" Shaft Crank with 1813.....	50
7054	1734	" " " 7225 with two 462c.....	50
7240	1709	Pitman, 12 inches long.....	05
16025	—	Shuttle Bobbin Case Hinge, Nos. 2974, 16026 and 16027, for 15087, 15127 and 17311.....	25
16092	—	Shuttle Bobbin Case Hinge, Nos. 2974, 16027 and 16091, for 15148.....	25
7082	—	Shuttle Bobbin Case Latch for 7084, use 6666.....	10
6666	1733	Shuttle Bobbin Case Latch for 7084....	10
16026	1733	" " " " " " 16025...	10
2521	1733	" " " " " " Spring for 7084.....	02
7083	—	Shuttle Bobbin Case Position Finger for 7084, use 6667.....	10
6667	1733	Shuttle Bobbin Case Position Finger for 7084.....	05
16028	1733	Shuttle Bobbin Case Position Finger for 15087 and 15127.....	05
7084	1733	Shuttle Bobbin Case complete for 7097, Nos. 591F, 592E, 2521, 2523, 6666, 6667 and 7086, use 15127.....	85
15087	1733	Shuttle Bobbin Case complete for 17304, Nos. 591F, 592E, 2523, 2975, 7086, 16025 and 16028, use 15127.....	85

OBSOLETE PARTS

NO.	PLATE	NAME	EACH
15127	1733	Shuttle Bobbin Case complete for 7097 and 17304, Nos. 591F, 592E, 2523, 2975, 12499, 16025 and 16028, use 15148.....	\$ 85
17311	1733	Shuttle Bobbin Case complete for 17313, Nos. 591F, 592E, 2523, 2975, 12499, 16025 and 17312, use 17324.....	85
7086	—	Shuttle Tension Spring for 7084 and 15087, use 12499.....	10
7097	—	Shuttle, 1½ in. diam. (left hand) Nos. 2996, 7084 and 7098, use 17304.....	1 75
17304	—	Shuttle, 1½ in. diam. (left hand) Nos. 2996, 7098 and 15087, use 17313.....	1 75
141c	1700	Tension Screw Stud Clamping Screw for 7092.....	04

NUMERICAL LIST OF PARTS

From the Library of Diamond Needle Corp

NUMERICAL LIST OF PARTS

NO.	PLATE	NAME	EACH
15D	1700	Needle Bar Frame Cam and Bevel Gear Screw Stud for 19-8 and 19-10 Machines.....	\$ 15
23C	742	Feed Forked Connection Universal Joint Hinge Screw.....	15
32D	750	Bobbin Winder Frame Hinge Screw for 27646, 27647 and 27656.....	10
35D	750	Bobbin Winder Stop Latch Hinge Screw for 27646, 27647 and 27656.....	07
76C	743	Thread Take-up Lever Hinge Screw....	06
86D	750	" Guiding Roller Screw for 3206 and 17310.....	05
96B	1737	Lap Seam Feller Folder Hinge Screw for 26175.....	05
102D	1701	Cloth Plate Cloth Guide Hinge Screw for 19-16 Machine.....	04
111D	1737	Presser Foot Separating Blade Hinge Screw for 7074 and 7111.....	03
112D	217	Shuttle Tension Spring Plate Screw for 6028.....	02
112D	749	Shuttle (inside) Tension Spring Plate Screw for 6908, 6909, 6912 and 6913.	02
112D	749	Shuttle (outside) Tension Spring Plate Screw for 6880 and 6894.....	02
122D	750	Arm Side Plate Screw for 6801, 7055 and 7229.....	05
123E	750	Arm Screw.....	06
138E	1101	Under Driver Dress Guard Screw for 27644.....	05
141E	1700	Knee Lever Stop Screw for 7128, obsolete.....	04
141C	1700	Tension Screw Stud Clamping Screw for 7092, obsolete.....	04
144D	750	Arm Shaft Screw.....	08
144D	750	Balance Wheel Shaft Screw.....	08
145E	1737	Under Driver Oil Cup Screw for 27644..	04
155C	743	Needle Bar Connecting Stud Set Screw for 2052.....	03
155C	743	Thread Unwinder Spool Pin Set Screw for 41527 and 41531.....	03
158E	750	Crank Connecting Rod Cap Screw for 4292.....	03

From the library of: Diamond Needle Corp.

NUMERICAL LIST OF PARTS

NO.	PLATE	NAME	EACH
161D	750	Bobbin Winder Screw for 7120, 7122, 7228, 17322, 17323, 17334, 17336 and 17390.....	\$ 04
164D	750	Face Plate Screw for 19-4, 19-5, 19-9 and 19-11 to 19-17 Machines.....	04
175D	1737	Face Plate Screw for 19-8 and 19-10 Machines.....	02
176D	1731	Roller Arm Lock Spring Screw for 6141 to 6144.....	03
178D	1737	Feed Rod Raising Block Screw for 19-11 and 19-12 Machines and obsolete for 19-4 and 19-8 to 19-10 Machines.....	03
180D	750	Feed Dog Screw for 19-11 and 19-12 Machines and obsolete for 19-4, 19-5 and 19-8 to 19-10 Machines.....	03
180F	750	Needle Bar Frame Cam Screw for 7063, obsolete.....	03
180D	750	Shuttle Race Screw for 19-9, 19-10 and 19-17 Machines.....	03
185H	750	Cloth Plate Bracket Screw for 19-16 Machine.....	02
185H	750	Feed Dog Screw for 19-4, 19-5, 19-8 to 19-10 and 19-13 to 19-17 Machines...	02
185H	750	Needle Bar Frame Regulator Cap Screw for 19-8 and 19-10 Machines, obsolete	02
190D	750	Feed Regulator Lever Friction Plate Screw for 6809.....	03
190D	750	Needle Bar Frame Cam and Bevel Gear Cover Screw for 19-8 and 19-10 Machines.....	03
190D	750	Needle Stripper Screw for 19-4 and 19-17 Machines.....	03
190D	750	Presser Foot Screw for 19-4, 19-5, 19-8 to 19-15 and 19-17 Machines.....	03
190D	750	Roller Presser Screw for 19-4, 19-9, 19-12, 19-14 and 19-17 Machines.....	03
190D	750	Tension Bracket Screw for 19-4 and 19-5 Machines, obsolete.....	03
193D	1737	Face Plate Screw for 7058 and 7092, obsolete.....	03
196F	1722	Needle Clamp Screw for 2167, 2388, 4265 and 17397.....	02
196F	1722	Needle Set Screw for 3350 and 7032, obsolete.....	02
197D	1737	Oscillating Rock Shaft Oil Pad Screw for 6021, obsolete.....	02
198D	1732	Shuttle Bobbin Case Position Finger Plate Screw for 7047 and 7089.....	02

NUMERICAL LIST OF PARTS

NO.	PLATE	NAME	EACH
198D	1732	Shuttle Race Ring Screw for 19-4, 19-8 and 19-11 to 19-14 Machines.....	\$ 02
207D	742	Feed Rod Raising Block Screw for 19-4, 19-5, 19-8 to 19-10 and 19-13 to 19-17 Machines.....	02
208D	1737	Feed Rod Spring Screw for 19-4 and 19-8 to 19-10 Machines, obsolete.....	02
208E	1737	Thread Unwinder Thread Guard Screw for 41630 and 41631.....	02
211F	1701	Hemmer Bracket Clamping Screw for 26051.....	02
211F	1701	Presser Foot Bracket Clamping Screw for 26051.....	02
212C	750	Feed Rock Shaft Arm Cap Screw.....	04
220D	1737	Throat Plate Screw (front) for 19-9 and 19-17 Machines.....	02
226D	1713	Needle Bar Frame Regulator Adjusting Screw Stud Stop Screw for 7069 and 17320.....	02
228B	1737	Lap Seam Feller Folder Lock Stud Spring Screw for 26175.....	02
233D	742	Face Plate Thread Guard Screw for 19-4, 19-5, 19-9 and 19-11 to 19-17 Machines	02
233D	742	Feed Rod Spring Screw.....	02
233D	742	Needle Bar Thread Guard Screw for 19-8 to 19-10, 19-13 and 19-14 Machines..	02
233D	742	Shuttle Race Position Plate Screw for 17308 and 17402.....	02
233D	742	Thread Take-up Spring Regulator Plate Adjusting Screw.....	02
236F	1702	Lap Seam Feller Holder Screw for 26484	02
236F	1702	Strip Folder Holder Screw for 26484...	02
236F	1702	Tape Guide Holder Screw for 26484....	02
238D	742	Feed Regulator Lever Stop Screw for 19-4, 19-5, 19-9 and 19-15 to 19-17 Machines.....	02
240D	1701	Cloth Plate Spring Guide Screw for 19-16 Machine.....	02
240D	1701	Needle Clamp Thread Guard Screw for 2388, obsolete.....	02
240D	1701	Shuttle Race Loop Separator Screw for 6961, 7139, 17308, 17401 and 17402..	02
242D	1726	Presser Foot Guide Spring Screw for 26852.....	02
248F	1737	Clamp Stop Motion Clamp Stop Screw for 3022D.....	02
256D	732	Clamp Stop Motion Clamp Screw for 3022D.....	30

NUMERICAL LIST OF PARTS

NO.	PLATE	NAME	EACH
262E	750	Pressure Regulating Thumb Screw for 19-4, 19-5, 19-9, 19-11 to 19-14 and 19-17 Machines.....	\$ 25
283D	750	Arm Side Plate Thumb Screw for 6801, 7055 and 7229.....	10
283D	750	Feed Regulating Thumb Screw for 19-8 and 19-10 Machines.....	10
286D	742	Bobbin Winder Eccentric Thumb Screw for 7120, 7122, 7228, 17322, 17323, 17334, 17336 and 17390.....	10
286D	742	Feed Regulator Lever Thumb Screw for 19-4, 19-5, 19-9 and 19-15 to 19-17 Machines.....	10
286D	742	Tape Holder Disc Hub Thumb Screw for 35925.....	10
286D	742	Tape Holder Tension Adjusting Collar Thumb Screw for 26073.....	10
290E	750	Needle Bar Screw Bushing for 19-4, 19-5, 19-9 and 19-11 to 19-17 Machines.....	06
290E	750	Presser Bar Screw Bushing for 19-4, 19-5, 19-9, 19-11 to 19-14 and 19-17 Machines.....	06
297C	1700	Band Wheel Crank Screw Centre for 25191.....	10
297C	1700	Treadle Screw Centre for 25191.....	10
300C	750	Feed Rock Shaft Screw Centre.....	08
304C	1700	" " " " " obsolete.....	06
315C	2642	Under Driver Driving Pulley Set Screw for 27756.....	04
316F	1731	Roller Arm Bracket Screw Centre for 6141 to 6144.....	03
318E	1700	Machine Bolt with 1524E, to secure machine to base, for 7169.....	02
330D	742	Feed Regulator Lever Segment Screw for 19-4, 19-5, 19-9 and 19-11 to 19-17 Machines.....	02
330D	742	Feed Regulator Lever Spring Screw for 5546.....	02
330D	742	Presser Foot Clamping Screw for 17361	02
330D	742	Shuttle Race Ring Cap Spring Screw for 19-4, 19-11 and 19-12 Machines.....	02
330D	742	Tension Thread Eyelet Screw for 3206, 3266 and 17310.....	02
336F	1737	Needle Set Screw for 19-8 and 19-10 Machines.....	02
337D	1722	Needle Clamp Thread Guard Screw for 17397.....	02

NUMERICAL LIST OF PARTS

NO.	PLATE	NAME	EACH
337D	1702	Presser Foot Separating Blade Lever Bracket Screw for 7074 and 7111.....	\$ 02
337D	1702	Presser Foot Spring Screw for 25961 and 26864.....	02
345C	1700	Cloth Plate Bracket Screw for 17348.....	10
348C	2642	Under Driver Dress Guard Screw for 27770.....	06
354C	1101	Under Driver Treadle Pitman Rod Clamp Screw for 9079.....	06
356C	750	Rock Shaft Knee Arm Hub Set Screw for 2766.....	06
356C	750	Rock Shaft Knee Plate Set Screw for 2767.....	06
356C	750	Rock Shaft Lifting Bracket Hook Set Screw for 6337.....	06
356C	750	Rock Shaft Lifting Bracket Set Screw for 6337.....	06
356C	750	Rock Shaft Stop Dog Set Screw for 2770	06
356C	750	Under Driver Driving Pulley Hollow Stud Set Screw for 27644.....	06
362F	2642	Under Driver Treadle Stop Collar Set Screw for 2762.....	05
375C	742	Crank Connecting Rod Hinge Screw.....	12
375C	742	Feed Connecting Link Hinge Screw.....	12
375C	742	" Forked Connection Hinge Screw.....	12
377C	743	Needle Bar Connecting Link Hinge Screw.....	12
386D	1731	Roller Screw for 1839 and 1869.....	08
389F	1737	Cloth Plate Screw for 17349.....	04
398E	217	Shuttle Main Spring Screw for 6058.....	02
398E	749	" (inside) Main Spring Screw for 3231, 3232, 3382 and 3383.....	02
398E	749	Shuttle (outside) Main Spring Screw for 6914 and 6928.....	02
400C	742	Needle Bar Guide Adjusting Screw for 3214.....	02
400F	742	Shuttle Race Latch Pin Screw for 19-5, 19-15 and 19-16 Machines.....	02
401D	750	Cloth Plate Screw for 19-4, 19-5, 19-8 and 19-11 to 19-16 Machines.....	02
401D	750	Throat Plate Screw for 19-8 and 19-10 Machines.....	02
401D	750	Throat Plate Screw (back) for 19-9 and 19-17 Machines.....	02
418D	750	Bobbin Winder Tension Screw Stud for 27308.....	08

NO.	PLATE	NAME	EACH
427E	1101	Under Driver Lever Centre Plug Adjusting Screw for 27644.....	\$ 08
433C	1101	Under Driver Driving Pulley Screw Centre Bearing for 27630.....	08
437C	1700	Balance Wheel Speed Pulley Set Screw for 2140.....	04
440F	1731	Roller Arm Adjusting Screw for 6141 to 6144.....	03
446C	750	Feed Cam Set Screw for 6807.....	03
446A	750	Lap Seam Feller Folder Hinge Bracket Set Screw for 26172.....	03
446C	750	Thread Take-up Cam Set Screw for 3071, 3182 and 3280.....	03
448C	742	Arm Shaft Bushing Set Screw.....	03
448C	742	Balance Wheel Set Screw for 7234 and 7370.....	03
448C	742	Feed Regulator Crank Set Screw for 5544.....	03
448C	742	Tension Screw Stud Set Screw for 19-8 to 19-14 Machines.....	03
448C	742	Thread Guiding Roller Stud Set Screw for 3206 and 17310.....	03
450F	750	Arm Shaft Collar Set Screw for 6803...	02
451C	1700	Balance Wheel Speed Pulley Set Screw for 2139.....	03
453C	742	Arm Shaft Gear Set Screw for 6804....	02
453C	742	Balance Wheel Shaft Gear Set Screw for 6806.....	02
453C	742	Feed Rock Shaft Arm Set Screw for 6167 and 16767.....	02
453C	742	Needle Bar Frame Driving Bevel Pinion Set Screw for 7066 and 17345.....	02
453C	742	Needle Bar Guide Set Screw for 3214...	02
453C	742	" Stripper Bracket Set Screw for 6819.....	02
453C	742	Presser Bar Lifting Bracket Set Screw for 5608, 5611, 5612 and 7181.....	02
453C	742	Presser Bar Spring Bracket Set Screw for 3220, obsolete.....	02
453C	742	Thread Unwinder Thread Guard Rod Set Screw for 27940.....	02
456C	1737	Thread Unwinder Thread Guard Rod Coupling Set Screw for 41639.....	02
457C	1700	Feed Rock Shaft Arm Set Screw for 6138	02
460C	742	" Regulator Lever Set Screw for 5545 and 6808.....	02
460C	742	Needle Bar Frame Regulator Shaft Collar Set Screw for 6533.....	02

NO.	PLATE	NAME	EACH
460F	742	Needle Set Screw for 6836, 17329, 17405 and 17414.....	\$ 02
460C	742	Thread Retaining Stud Set Screw for 19-8 to 19-14 Machines.....	02
462C	743	Clamp Stop Motion Flanged Bushing Set Screw for 4933.....	02
462C	743	Feed Regulator Arm Set Screw for 6813	02
462C	743	Oscillating Shaft Crank Set Screw for 2511, 6024, 6532, 7054 and 17344....	02
465F	1721	Needle Clamp Set Screw for 7034, obsolete.....	02
465F	1721	Presser Foot (spring presser) Bracket Set Screw for 17384.....	02
466H	217	Shuttle Tension Regulating Screw for 6028.....	04
466H	749	Shuttle (inside) Tension Regulating Screw for 6908, 6909, 6912 and 6913	04
466H	749	Shuttle (outside) Tension Regulating Screw for 6880 and 6894.....	04
506E	1700	Brace Bolt with 1510E for 25216.....	03
549C	1713	Needle Bar Frame Regulator Adjusting Screw Stud for 19-8 and 19-10 Machines.....	10
558E	1700	Pitman Adjusting Screw for 25074.....	03
577C	1700	Needle Bar Frame Screw Centre (lower) for 19-8 and 19-10 Machines.....	06
590D	1732	Shuttle Race Ring Thread Protector Screw for 6148 and 17408.....	02
591F	1736	Shuttle Tension Regulating Screw for 7084, 15087, 15127, 15148, 15277, 17311 and 17324.....	02
592E	1736	Shuttle Bobbin Case Latch Stop Screw for 7084, 15087, 15127, 15148, 15277, 17311 and 17324.....	02
597C	2642	Under Driver Shaft Driving Pulley Clamping Screw for 27070.....	08
599E	1700	Bolt with 1524E, to secure machine to table (Accessories).....	03
600F	1700	Tension Screw Stud for 19-8 to 19-14 Machines.....	10
620C	1737	Needle Bar Frame Pitman Hinge Stud Stop Screw for 19-8 and 19-10 Machines.....	02
621D	1701	Throat Plate Screw, for $\frac{3}{32}$ in. and $\frac{1}{16}$ in. gauges, for 19-16 Machine.....	02
624F	1737	Needle Set Screw for 7034, obsolete....	03
629D	750	Shuttle Race Hinge Screw for 6961, 17399, and 17400.....	04

NO.	PLATE	NAME	EACH
637F	1714	Tension Screw Stud for 3206 and 3266, obsolete.....	\$ 08
646F	1737	Needle Bar Frame Pitman Hinge Screw for 19-8 and 19-10 Machines.....	02
649E	1700	Under Driver Belt Guard Screw for 27644.....	05
651D	1734	Needle Clamp Thread Guide Screw for 4865.....	02
652D	1731	Roller Screw for 1841 and 1868.....	08
657C	750	Feed Rod Hinge Screw.....	10
665D	1737	Shuttle Race Ring Thread Protector Screw for 7089.....	02
665D	1737	Throat Plate Thread Catch Screw for 19-10 Machine.....	02
673F	1700	Needle Bar Frame Screw Centre (upper) for 19-8 and 19-10 Machines.....	08
688E	750	Pressure Regulating Thumb Screw for 19-15 and 19-16 Machines.....	25
689C	743	Presser Bar Lifter Screw.....	10
713E	1700	Pressure Regulating Thumb Screw for 19-8 and 19-10 Machines.....	25
714D	1737	Presser Foot Separating Blade Adjusting Stud Thumb Screw for 7074 and 7111	05
732D	1737	Feed Regulator Lever Adjusting Thumb Screw for 19-11 to 19-14 Machines and obsolete for 19-4 and 19-9 Machines..	10
732D	1737	Feed Regulator Lever Friction Plate Thumb Screw for 19-11 to 19-14 Machines and obsolete for 19-4 and 19-9 Machines.....	10
735C	1721	Presser Foot (spring presser) Guide Set Screw for 17385.....	02
736D	1700	Tape Holder Foot Screw for 26064 and 26325.....	10
738D	750	Shuttle Race Screw for 19-5, 19-15 and 19-16 Machines.....	05
750D	1737	Shuttle Race Ring Screw for 7100 and 7113.....	03
756D	750	Throat Plate Screw for 19-4, 19-5 and 19-11 to 19-15 Machines and for $\frac{11}{16}$ in. and $\frac{3}{16}$ in. gauges for 19-16 Machine	02
802D	750	Lifting Lever Hinge Screw for 17335, 17337 and 17338.....	10
808F	750	Tension Screw Stud Set Screw for 17310	03
809F	750	" " " for 17310.....	15
878D	2641	Under Driver Cone Pulley Oil Hole Stop Screw for 27750.....	06

NO.	PLATE	NAME	EACH
934D	1701	Throat Plate Screw, for $\frac{1}{8}$ in. to $\frac{5}{16}$ in. gauge, for 19-16 Machine.....	\$ 02
1059E	1700	Dress Guard Bolt with 1510E, for 25216	03
1092E	2642	Under Driver Lever Hinge Screw for 27770.....	20
1093C	2642	Under Driver Lever Adjusting Screw for 27770.....	10
1122C	2641	Under Driver Driving Pulley Shaft Screw Bearing Ball Case (left) Set Screw for 27766.....	03
1122C	2641	Under Driver Driving Pulley Shaft Screw Bearing Ball Case (right) Set Screw for 27766.....	03
1143C	2641	Under Driver Cone Pulley Ball Bearing Adjusting Ring Set Screw for 27770..	03
1149C	1737	Thread Unwinder Spool Rest Set Screw for 41527 and 41531.....	04
1507E	1737	Band Wheel Crank Screw Centre Nut for 25191.....	05
1507E	1737	Treadle Screw Centre Nut for 25191...	05
1507E	2642	Under Driver Lever Hinge Screw Nut for 27770.....	05
1508E	1101	Under Driver Lever Centre Plug Adjusting Screw Nut for 27644.....	06
1510E	1737	Brace Bolt Nut for 506E.....	02
1510E	1737	Dress Guard Bolt Nut for 1059E.....	02
1513E	1737	Feed Rock Shaft Screw Centre Nut....	05
1513E	1737	Oscillating Rock Shaft Hinge Pin Nut.	05
1513E	2642	Under Driver Lever Adjusting Screw Nut for 27770.....	05
1517E	1737	Needle Bar Frame Screw Centre (lower) Nut for 19-8 and 19-10 Machines....	04
1517D	1737	Needle Bar Frame Screw Centre (upper) Nut for 19-8 and 19-10 Machines....	04
1518E	742	Crank Connecting Rod Hinge Screw Nut	04
1518E	742	Feed Connecting Link Hinge Screw Nut	04
1518E	742	" Forked Connection Hinge Screw Nut.....	04
1518E	742	Needle Bar Connecting Link Hinge Screw Nut.....	04
1520E	743	Presser Bar Lifter Screw Nut.....	03
1524E	1737	Bolt Nut for 599E.....	02
1524E	1737	Machine Bolt Nut for 318E.....	02
1528D	1731	Roller Screw Nut for 1839, 1841, 1868 and 1869.....	03
1530E	1701	Cloth Plate Cloth Guide Hinge Screw Nut for 19-16 Machine.....	03

NO.	PLATE	NAME	EACH
1538D	1713	Needle Bar Frame Regulator Adjusting Thumb Nut for 19-8 and 19-10 Machines.....	\$ 06
1547D	1731	Roller Arm Adjusting Screw Nut for 6141 to 6144.....	03
1547D	1731	Roller Arm Bracket Screw Centre Nut for 6141 to 6144.....	03
1549D	1731	Roller Arm Lock Spring Screw Nut for 6141 to 6144.....	03
1560C	1737	Tension Regulating Thumb Nut.....	04
1562D	1737	Bobbin Winder Tension Regulating Thumb Nut for 27308.....	04
1570E	1737	Pitman Adjusting Screw Nut for 25074.....	02
1584E	1737	Feed Regulator Lever Adjusting Thumb Screw Nut for 19-11 to 19-14 Machines and obsolete for 19-4 and 19-9 Machines.....	08
1607D	1721	Presser Foot (spring presser) Stop Nut for 17386.....	03
1813	743	Oscillating Shaft Crank Roller and Stud for 2416, 6056, 6520, 7225 and 17343.....	20
1819	743	Thread Take-up Lever Roller and Stud for 3072, 3281 and 4286.....	20
1820	1737	Needle Bar Frame Regulator Roller and Stud for 7069, obsolete.....	20
1839	1731	Roller, 1 1/4 in. diam., coarse, with 386D and 1528D, for 6143.....	40
1841	—	Roller, 7/8 in. diam., fine, with 652D and 1528D, for 6142.....	25
1868	1731	Roller, 3/8 in. diam., coarse, with 652D and 1528D, for 6141.....	25
1869	—	Roller, 1 1/4 in. diam., fine, with 386D and 1528D, for 6144.....	40
1877	1713	Needle Bar Frame Regulator Roller and Screw Stud for 17320.....	25
2020	732	Clamp Stop Motion Clamp Washer for 3022D.....	05
2022	748	Balance Wheel Shaft Gear Pin.....	01
2022	748	Clamp Stop Motion Flanged Bushing Pin.....	01
2049	748	Feed Regulator Lever Pin for 19-11 to 19-14 Machines and obsolete for 19-4 and 19-9 Machines.....	01
2049	748	Oscillating Shaft Crank Pin.....	01
2049	748	Shuttle Driver Pin.....	01
2049	748	Shuttle Race Dowel Pin for 6961, 17399 and 17400.....	01
2052	743	Needle Bar Connecting Stud with 155C.....	25

NO.	PLATE	NAME	EACH
2062	743	Presser Bar Lifter.....	\$ 20
2070	748	" " Spring Washer for 19-4, 19-5, 19-8 to 19-14 and 19-17 Machines.....	01
2073	217	Shuttle Bobbin for 6028.....	05
*2075	—	" Cover for 6028.....	35
2076	217	" " Hinge Pin for 6028.....	01
2076	749	" (inside) Cover Hinge Pin for 6908, 6909, 6912 and 6913.....	01
2076	749	Shuttle (outside) Cover Hinge Pin for 6880 and 6894.....	01
2078	217	Shuttle Delivery Eye Thread Guard for 6028.....	03
2078	749	Shuttle (outside) Delivery Eye Thread Guard for 6880 and 6894.....	03
2080	217	Shuttle Delivery Eye Thread Guard Rivet for 6028.....	01
2080	749	Shuttle (inside) Delivery Eye Thread Guard Rivet for 6908, 6909, 6912 and 6913.....	01
2080	749	Shuttle (outside) Delivery Eye Thread Guard Rivet for 6880 and 6894.....	01
2082	217	Shuttle Main Spring for 6058.....	10
2084	217	" " " Steady Pin for 6058.....	01
2084	749	Shuttle (inside) Main Spring Steady Pin for 3231, 3232, 3382 and 3383.....	01
2084	749	Shuttle (outside) Main Spring Steady Pin for 6914 and 6928.....	01
2086	217	Shuttle Tension Spring for 6028.....	03
2086	749	" (outside) Tension Spring for 6880 and 6894.....	03
2090	217	Shuttle Tension Spring Plate for 6028.....	05
2090	749	" (outside) Tension Spring Plate for 6880 and 6894.....	05
2102	748	Tension Disc.....	05
2103	748	" Spring.....	03
2105	748	" Thread Guard for 19-8 to 19-14 Machines.....	03
2105	748	Thread Guiding Roller Thread Guard for 3206 and 17310.....	03
2106	748	Bobbin Winder Tension Thread Guide for 27308.....	01
2107	748	Face Plate Thread Guard for 19-4, 19-5, 19-9 and 19-11 to 19-17 Machines.....	02
2111	1722	Thread Retainer Guide complete for 19-8 to 19-14 Machines, Nos. 2112, 2114 and 2115.....	15

NO.	PLATE	NAME	EACH
2112	1722	Thread Retaining Disc with 2113, for 2111.....	\$ 05
2113	1722	Thread Retaining Disc Steady Pin for 2112.....	01
2114	1722	Thread Retaining Spring for 2111.....	01
2115	1722	" " Stud for 2111.....	07
2117	748	Arm Dowel Pin.....	01
2117	748	" Shaft Gear Pin.....	01
2117	748	Band Wheel Crank Pin for 25124.....	01
2124	1722	Thread Take-up Spring for 19-8 to 19-14 Machines.....	03
2127	748	Thread Take-up Spring Regulator Plate	03
2139	1711	Balance Wheel Speed Pulley, 2 in. diam., with 451C.....	15
2140	1711	Balance Wheel Speed Pulley, 2½ in. diam., with 437C.....	15
2166	1734	Needle Bar Thread Guard for 19-9, 19-13 and 19-14 Machines.....	01
2167	1734	Needle Clamp with 196F, for 19-9, 19-13 and 19-14 Machines.....	17
2170	1734	Oscillating Rock Shaft Oil Pad for 6021, obsolete.....	01
2173	1734	Oscillating Rock Shaft Steel Plate for 6021, obsolete.....	06
2174	1734	Oscillating Rock Shaft Steel Plate Rivet for 6021, obsolete.....	01
2205	1731	Roller Arm Lock Spring for 6141 to 6144	04
2206	1731	" " Bracket for 6141 and 6142.	20
2210	749	Shuttle (inside) Bobbin for 6908, 6909, 6912 and 6913.....	05
2210	749	Shuttle (outside) Bobbin for 6880 and 6894.....	05
2211	217	Shuttle Bobbin Retaining Spring for 6058.....	03
2212	217	Shuttle Bobbin Retaining Spring Rivet for 6058..... per 100	25
2212	749	Shuttle (inside) Bobbin Retaining Spring Rivet for 3232 and 3383, per 100.....	25
2212	749	Shuttle (outside) Bobbin Retaining Spring Rivet for 6928..... per 100	25
2248	748	Thread Take-up Spring for 19-4, 19-5 and 19-15 to 19-17 Machines.....	03
2269	748	Feed Regulator Stop Pin for 19-8 and 19-10 Machines.....	01
2269	748	Lifting Lever Stud Pin for 7123, 7134 and 7135, obsolete.....	01

NO.	PLATE	NAME	EACH
2269	748	Shuttle Race Ring Cap Holder Pin for 7046 and 7088.....	\$ 01
2269	748	Tension Releaser Hinge Pin for 19-8 to 19-14 Machines.....	01
2273	748	Needle Clamp Pin for 19-4, 19-5 and 19-15 to 19-17 Machines.....	01
2273	748	Lap Seam Feller Folder Stop Pin for 26172.....	01
2308	739	Presser Bar Spring (light) for 19-4, 19-5, 19-8 to 19-14 and 19-17 Machines....	05
2388	1734	Needle Clamp with 196F and 240D, for 19-4 Machine, obsolete.....	25
2389	1734	Needle Clamp Thread Guard for 19-4 Machine, obsolete.....	03
2395	1734	Needle Clamp Gib for 19-4 Machine, obsolete.....	10
2410	748	Thread Guiding Roller for 3206 and 17310.....	25
2411	748	Thread Guiding Roller Stud for 3206 and 17310.....	10
2413	1735	Tension Thread Eyelet (double) for 3206 and 3266, obsolete.....	03
*2416	—	Oscillating Shaft Crank with 1813, for 2511.....	50
2455	748	Bobbin Winder Tension Disc for 27308.	02
2460	738	" " Friction Ring (rubber) for 7120, 7122, 7228, 17322, 17323, 17334, 17336 and 17390.....	02
2461	738	Bobbin Winder Pulley for 2469, 2694 and 17334.....	08
2466	738	Bobbin Winder Eccentric for 7120, 7122, 7228, 17322, 17323, 17334, 17336 and 17390.....	15
2468	738	Bobbin Winder Spindle for 2469.....	12
2469	—	" " " 2468 with 2461, for 7120, 17322 and 17336.....	20
2511	1735	Oscillating Shaft Crank 2416 with two 462C, for 19-9, 19-13 and 19-14 Machines.....	50
2515	1736	Shuttle Body for 15100.....	75
2521	1733	" Bobbin Case Latch Spring for 7084, obsolete.....	02
2523	1736	Shuttle Bobbin Case Position Finger Rivet for 7084, 15087, 15127, 15148, 15277, 17311 and 17324..... per 100	25
2653	1701	Cloth Plate Cloth Guide Stop Pin for 7212 and 17331.....	01

NO.	PLATE	NAME	EACH
2693	1723	Bobbin Winder Spindle for 2694.....	\$ 12
2694	—	“ “ “ 2693 with 2461, for 7122, 17323 and 17390.....	20
2717	1734	Lifting Lever Stud for 7123, 7134 and 7135, obsolete.....	05
2718	2642	Lifting Lever Stud Washer for 7123, 7134 and 7135, obsolete.....	01
2718	2642	Under Driver Dress Guard Screw Washer for 27770.....	01
2762	2642	Under Driver Treadle Stop Collar with 362F, for 27640.....	10
2764	1705	Rock Shaft Hanger with two wood screws 1 in. No. 10, for 7126.....	08
2766	1705	Rock Shaft Knee Arm Hub with 356C, for 6336.....	15
2767	1705	Rock Shaft Knee Plate with 356C, for 6336.....	18
2770	1705	Rock Shaft Stop Dog with 356C, for 7126	12
2845	1723	Bobbin Winder Spindle for 2847.....	15
2846	1724	“ “ “ “ spool for 2847, 2853 and 27611.....	10
2847	—	Bobbin Winder Spindle 2845 with 2846, for 7228.....	25
2852	1724	Bobbin Winder Spindle for 2853.....	15
2853	—	“ “ “ 2852 with 2846, for 17334.....	25
2862	1729	Balance Wheel (stand) heavy rim, 3 in. pulley, for 3022D.....	75
2878	363	Under Driver Treadle Stand for 27642..	15
2973	1736	Shuttle Bobbin Case Latch Lever for 15141.....	10
2974	1736	Shuttle Bobbin Case Latch Lever Fulcrum Pin for 15141, 16025 and 16092..... per 100	10
2975	1736	Shuttle Bobbin Case Latch Spring for 15087, 15127, 15148, 15277, 17311 and 17324.....	02
2996	1736	Shuttle Bobbin for 7080, 7097, 15086, 15100, 15126, 17301, 17304 and 17313	05
3005	737	Arm Shaft Bushing.....	15
3012	748	Thread Take-up Cam Pin.....	01
3022D	—	Clamp Stop Motion complete, Nos. 248F, 256D, 2020 and 4933.....	75
*3023	—	Clamp Stop Motion Flanged Bushing for 4933.....	35
3033	742	Feed Connecting Link.....	20
3044	1730	Needle Bar for 19-9, 19-13 and 19-14 Machines.....	40

NO.	PLATE	NAME	EACH
3045	743	Needle Bar Connecting Link.....	\$ 30
3052	1711	Oscillating Rock Shaft Hinge Pin.....	50
3054	739	Presser Bar for 19-4, 19-5, 19-8 to 19-14 and 19-17 Machines.....	35
3056	1711	Presser Bar Spring (heavy) for 19-4, 19-5, 19-8 to 19-14 and 19-17 Machines.....	05
3071	1706	Thread Take-up Cam (steel) with 446C, for 19-4, 19-11 and 19-12 Machines..	1 25
3072	1735	Thread Take-up Lever with 1819, for 19-9 and 19-11 to 19-14 Machines....	60
3146	1722	Feed Regulator Lever Adjusting Thumb Screw Washer for 19-11 to 19-14 Machines and obsolete for 19-4 and 19-9 Machines.....	01
3182	1725	Thread Take-up Cam (steel) with 446C, for 19-8 to 19-10, 19-13, 19-14 and 19-17 Machines.....	1 25
3197	1704	Arm Spool Pin (horizontal) for 19-4, 19-5 and 19-15 to 19-17 Machines....	30
3205	1706	Face Plate, slotted for 3214, with 3265 and two 190D, for 3206, obsolete.....	90
3206	—	Face Plate complete for 19-4 and 19-5 Machines, Nos. 86D, 330D, 448C, 2105, 2107, 2124, 2127, 2410, 2411, 2413, 3205, two each 233D, 637F, 1560C, 2103 and four 2102, obsolete.....	2 00
3214	742	Needle Bar Guide with 400C and 453C, for 19-4, 19-5 and 19-13 to 19-17 Machines.....	25
3220	1735	Presser Bar Spring Bracket with 453C and 5613, for 19-4 Machine, obsolete..	25
3230	749	Shuttle (inside) Bobbin Retaining Spring for 3232 and 3383.....	05
3230	749	Shuttle (outside) Bobbin Retaining Spring for 6928.....	05
*3231	—	Shuttle (inside) Body with 398E, 2084 and 3239, for 6912.....	50
*3232	—	Shuttle (inside) Body with 398E, 2084, 3230, 3239 and two 2212, for 6913....	55
3238	749	Shuttle (inside) Delivery Eye Thread Guard for 6908, 6909, 6912 and 6913	03
3239	749	Shuttle (inside) Main Spring for 3231, 3232, 3382 and 3383.....	10
3240	749	Shuttle (outside) Main Spring for 6914 and 6928.....	10
3241	749	Shuttle (inside) Tension Spring for 6908, 6909, 6912 and 6913.....	03

NO.	PLATE	NAME	EACH
3242	749	Shuttle (inside) Tension Spring Plate for 6908, 6909, 6912 and 6913.....	\$ 05
3265	1706	Tension Bracket for 3205 and 3266, obsolete.....	10
3266	—	Tension Bracket complete for 19-4 and 19-5 Machines, Nos. 330D, 2413, 3265, two each 637F, 1560c, 2103 and four 2102, obsolete.....	70
3267	739	Tension Releaser for 19-4, 19-5 and 19-15 to 19-17 Machines.....	25
3280	737	Thread Take-up Cam (steel) with 446c, for 19-5, 19-15 and 19-16 Machines... 1	25
3281	743	Thread Take-up Lever with 1819, for 19-4, 19-5 and 19-15 to 19-17 Machines.....	65
3342	1706	Needle Bar for 19-5 Machine, obsolete..	40
3344	1706	" " " " " " " " " " " "	40
3350	1708	" Clamp with two 196F, for $\frac{7}{16}$ in. to $\frac{3}{16}$ in. gauge, for 3342, obsolete... 50	50
*3382	—	Shuttle (inside) Body with 398E, 2084 and 3239, for 6908, obsolete.....	50
*3383	—	Shuttle (inside) Body with 398E, 2084, 3230, 3239 and two 2212, for 6909, obsolete.....	55
4264	1730	Needle Bar for 19-11 and 19-12 Machines	40
4265	—	" Clamp with 196F, for 4865.....	25
4266	1734	" " Thread Guide for 4865... 10	10
4282	1731	Roller Arm Bracket for 6143 and 6144..	20
4286	1722	Thread Take-up Lever with 1819, for 19-8 and 19-10 Machines.....	60
4292	738	Crank Connecting Rod with 4349 and two 158E.....	70
4343	1725	Face Plate for 19-9 and 19-11 to 19-14 Machines.....	50
4344	739	Needle Bar for 19-5, 19-15 and 19-16 Machines, for $\frac{5}{32}$ in. to $\frac{3}{16}$ in. gauge for 19-4 Machine and for $\frac{5}{32}$ in. to $\frac{1}{8}$ in. gauge for 19-17 Machine.....	50
*4349	—	Crank Connecting Rod Cap for 4292... 15	15
4369	1722	Tension Releaser for 19-8 to 19-14 Machines.....	15
4377	748	Tension Thread Eyelet (double) for 17310.....	03
4448	748	Arm Oil Tube, for intermediate bearing, for 19-4, 19-5, 19-9 and 19-11 to 19-17 Machines.....	06
4461	1721	Presser Foot (spring presser) Spring for 17386.....	02
4462	1721	Presser Foot (spring presser) Spring Screw Bushing for 17386.....	15

NO.	PLATE	NAME	EACH
4784	743	Oscillating Rock Shaft Oil Pad for 6022 \$	01
4822	1704	Wrench for 1528, 1547 and 1549 (Accessories).....	05
4865	1734	Needle Clamp complete for 19-11 and 19-12 Machines, Nos. 651D, 4265 and 4266.....	35
4879	739	Chain Connecting Link for 4885..... Nos. 4881 to 4884 FOR 4885.	03
4881	1705	Treadle.....	30
4882	739	" Shaft.....	05
4883	739	" Spring.....	10
4884	1705	" Stand.....	25
4885	1705	Treadle complete for 17335, Nos. 4879, 4881 to 4884 and two wood screws 1 in. No. 16.....	75
4933	732	Clamp Stop Motion Flanged Bushing 3023 with two 462c, for 3022D.....	35
5544	742	Feed Regulator Crank with two 448C... 25	25
5545	742	" " Lever with 460c, for 5546.....	35
5546	—	Feed Regulator Lever 5545 with 330D and 5547, for 19-4, 19-5, 19-9 and 19-15 to 19-17 Machines.....	50
5547	742	Feed Regulator Lever Spring for 5546..	03
5550	739	" " Shaft for 19-4, 19-5, 19-9 and 19-11 to 19-17 Machines... 15	15
5608	1710	Presser Bar Lifting Bracket with 453c, for 19-9 and 19-11 to 19-14 Machines, 7123, 7134 and 7135.....	25
5611	739	Presser Bar Lifting Bracket with 453c and 5613, for 19-4, 19-5 and 19-17 Machines.....	25
5612	1711	Presser Bar Lifting Bracket with 453c, for 19-8 and 19-10 Machines.....	25
5613	748	Tension Releaser Pin for 3220, 5611 and 7181.....	01
5667	1729	Foot Lever for 5668, obsolete.....	15
5668	1729	" " 5667 with 5669, 5671 and three wood screws $1\frac{1}{2}$ in. No. 16, for 7135, obsolete.....	40
5669	1729	Foot Lever Bracket for 5668, obsolete..	10
5671	1734	" " Hinge Pin for 5668, obsolete	01
5672	1704	" " Lifting Spring for 7135, obsolete.....	03
6021	1706	Oscillating Rock Shaft with 197D, 2170 and two each 2173 and 2174, for 19-4 and 19-8 to 19-10 Machines, obsolete	85

NO.	PLATE	NAME	EACH
6022	738	Oscillating Rock Shaft (steel) with 4784	\$1 00
6023	1730	" Shaft for 19-4, 19-11 and 19-12 Machines.....	40
6024	1722	Oscillating Shaft Crank 6056 with two 462C, for 19-4, 19-11 and 19-12 Machines.....	50
6028	217	Shuttle (high point) complete for 19-4, 19-11 and 19-12 Machines, Nos. 112D, 466H, 2073, 2075, 2076, 2078, 2080, 2086, 2090 and 6058.....	1 00
6053	1705	Drip Pan.....	05
6055	748	Bolt Nut Washer (Accessories).....	01
6055	748	Machine Bolt Nut Washer for 7169.....	01
*6056	—	Oscillating Shaft Crank with 1813, for 6024.....	50
*6058	—	Shuttle Body with 398E, 2082, 2084, 2211 and two 2212, for 6028.....	55
*6126	—	Cylinder, 2¼ in. diam., for 19-4 and 19-11 to 19-14 Machines.....	12 00
6127	731	Cloth Plate for 19-11 to 19-14 Machines and for ½ in. to ⅝ in. gauge for 19-4 Machine.....	1 00
6129	1719	Feed Dog, ⅝ in. gauge, for 180, for 19-4 Machine, obsolete.....	35
6130	1734	Feed Rod Spring for 19-4 and 19-8 to 19-10 Machines, obsolete.....	02
6131	1725	Feed Forked Connection for 19-11 and 19-12 Machines and obsolete for 19-4 and 19-8 to 19-10 Machines.....	75
6132	742	Feed Forked Connection Universal Joint	25
6134	1730	" Regulator Shaft for 19-9 Machine, obsolete.....	15
6135	1706	Feed Rod for 19-11 and 19-12 Machines and obsolete for 19-4, 19-5 and 19-8 to 19-10 Machines.....	75
6136	1734	Feed Rod Raising Block for 19-11 and 19-12 Machines and obsolete for 19-4 and 19-8 to 19-10 Machines.....	15
6137	1706	Feed Rock Shaft.....	50
6138	1711	" " " Arm with 457C, for 19-11 and 19-12 Machines and obsolete for 19-4 and 19-8 to 19-10 Machines..	50
6141	1731	Roller Presser complete, ⅞ in. coarse roller, for 19-9, 19-12 and 19-14 Machines and for ½ in. to ⅝ in. gauge for 19-4 and 19-17 Machines, Nos. 176D, 440F, 1549D, 1868, 2205, 2206, 6145, two 316F and three 1547D.....	1 05

NO.	PLATE	NAME	EACH
6142	—	Roller Presser complete, ⅞ in. fine roller, for 19-9, 19-12 and 19-14 Machines and for ½ in. to ⅝ in. gauge for 19-4 and 19-17 Machines, Nos. 176D, 440F, 1549D, 1841, 2205, 2206, 6145, two 316F and three 1547D.....	\$1 05
6143	1731	Roller Presser complete, 1¼ in. coarse roller, for 19-9, 19-12 and 19-14 Machines, Nos. 176D, 440F, 1549D, 1839, 2205, 4282, 6146, two 316F and three 1547D.....	1 20
6144	—	Roller Presser complete, 1¼ in. fine roller, for 19-9, 19-12 and 19-14 Machines, Nos. 176D, 440F, 1549D, 1869, 2205, 4282, 6146, two 316F and three 1547D.....	1 20
6145	1731	Roller Arm for 6141 and 6142.....	30
6146	1731	" " " 6143 and 6144.....	30
6147	732	Shuttle Driver for 19-4, 19-11 and 19-12 Machines.....	75
6148	1732	Shuttle Race Ring 6168 with 6153 and two 590D, for 6149.....	1 25
6149	—	Shuttle Race Ring 6148 with 6150, for 19-11 and 19-12 Machines.....	1 50
6150	1732	Shuttle Race Ring Cap with 6151 and two 8505, for 6149 and 17409.....	25
6151	1732	Shuttle Race Ring Cap Hinge for 6150.....	05
6153	1732	" " " Thread Protector for 6148.....	20
6155	—	Throat Plate, small needle hole, for 6276	40
6157	1719	Feed Dog, for ½ in. to ⅝ in. gauge, for 19-4 Machine.....	35
6158	738	Feed Forked Connection for 19-4, 19-5, 19-8 to 19-10 and 19-15 to 19-17 Machines.....	75
6161	738	Feed Rod for 19-4, 19-5, 19-8 and 19-13 to 19-16 Machines.....	75
6162	742	Feed Rod Raising Block for 19-4, 19-5, 19-8 and 19-13 to 19-16 Machines....	15
6164	—	Throat Plate, small needle hole, for 6282	40
6166	748	Feed Regulator Crank Pin, obsolete....	01
6166	748	" Rock Shaft Arm Pin.....	01
6167	738	" " " " with 453C, for 17327, obsolete.....	50
6168	—	Shuttle Race Ring for 6148 and 17408..	1 05
6171	735	Throat Plate, large needle hole, for 6276	40
6172	1719	" " " " " " 6277 and 6283.....	45

NO.	PLATE	NAME	EACH
6174	735	Throat Plate, large needle hole, for 6282	\$ 40
6223	748	Shuttle Race Latch Pin for 19-5, 19-15 and 19-16 Machines.....	10
6224	748	Shuttle Race Latch Pin Spring for 19-5, 19-15 and 19-16 Machines.....	03
6267	1701	Hemmer Folder for 19-16 Machine.....	02
6276	735	Feed Dog for 19-12 Machine.....	35
6277	1719	" " " 19-11 Machine.....	40
6278	1707	Presser Foot (long shank) for 19-11 and 19-13 Machines.....	70
6280	—	Throat Plate, small needle hole, for 6277 and 6283.....	45
6282	735	Feed Dog for 19-14 Machine.....	35
6283	735	" " " 19-13 Machine.....	40
6333	1705	Pitman for 7123 and 17338.....	05
6335	1705	Rock Shaft Knee Arm for 6336.....	10
6336	—	Rock Shaft Knee Arm complete for 7126, Nos. 2766, 2767 and 6335.....	40
6337	1705	Rock Shaft Lifting Bracket with two 356c, for 7126.....	20
6343	1705	Pitman for 7134 and 17337.....	05
6348	1729	Lifting Lever for 7123, 7134 and 7135, obsolete.....	25
6439	—	Chain, length 36 in. to 45 in. for 7135 and 17335.....	20
6489	738	Oscillating Rock Shaft Hinge Pin, obsolete.....	50
*6520	—	Oscillating Shaft Crank with 1813, for 6532.....	50
6532	743	Oscillating Shaft Crank 6520 with two 462c, for 19-5, 19-15 and 19-16 Machines.....	50
6533	1713	Needle Bar Frame Regulator Shaft Collar with 460c, for 19-8 and 19-10 Machines.....	25
6666	1733	Shuttle Bobbin Case Latch for 7084, obsolete.....	10
6667	1733	Shuttle Bobbin Case Position Finger for 7084, obsolete.....	05
*6801	—	Arm with 122b, 283d and 7248, for 19-4, 19-5, 19-9, 19-11 to 19-14 and 19-17 Machines.....	6 00
6802	1705	Arm Shaft for 19-4, 19-5, 19-9 and 19-11 to 19-17 Machines.....	1 50
6803	737	Arm Shaft Collar with two 450f.....	25
6804	737	" " Gear with 453c.....	30
6805	737	Balance Wheel Shaft.....	50
6806	737	" " " Gear with 453c....	30

NO.	PLATE	NAME	EACH
6807	738	Feed Cam with 446c.....	\$ 35
6808	732	" Regulator Lever with 460c, for 6809.....	60
6809	—	Feed Regulator Lever 6808 with 190d and 6810, for 19-11 to 19-14 Machines and obsolete for 19-4 and 19-9 Machines.....	80
6810	732	Feed Regulator Lever Friction Plate for 6809.....	20
6811	732	Feed Regulator Lever Segment for 19-11 to 19-14 Machines and obsolete for 19-4 and 19-9 Machines.....	35
6812	1707	Presser Foot, for inside stays (shoes) old needle location, for 19-5 Machine, obsolete.....	1 50
6813	1714	Feed Regulator Arm with 462c, for 19-8 and 19-10 Machines.....	25
6814	1714	Feed Regulator Shaft for 19-8 and 19-10 Machines.....	15
6815	742	Feed Regulator Lever Segment for 19-4, 19-5, 19-9 and 19-15 to 19-17 Machines.....	30
6817	1711	Needle Bar for 2388, obsolete.....	50
6818	1722	" Stripper, for 1/2 in. to 1/16 in. gauge, for 6141 and 6142, for 19-4 and 19-17 Machines.....	1 00
6819	1722	Needle Stripper Bracket with 453c, for 19-4 and 19-17 Machines.....	15
Nos. 6820 TO 6823 FOR 19-5 MACHINE.			
*6820	—	Cylinder, 2 1/16 in. diam.....	12 00
6821	740	Cloth Plate, for 3/32 in. to 7/32 in. gauge, for general work.....	1 00
6822	740	Cloth Plate, for 1/4 in. to 5/16 in. gauge, for general work.....	1 00
6823	732	Cloth Plate for 6991, obsolete.....	1 00
6824	740	" " " 3/32 in. to 7/32 in. gauge, for 19-15 Machine.....	1 00
6825	741	Cloth Plate, for 1/4 in. to 5/16 in. gauge, for 19-15 Machine.....	1 00
6826	732	Cloth Plate for 7006 and 7179, obsolete.....	1 00
6827	1707	Feed Dog, for 3/32 inch to 5/16 in. gauge, for 180, for 19-5 Machine, obsolete... ..	60
6828	—	Nos. cancelled, order 6827 and give gauge required.	
6829	—		
6830	—		
6831	1707	Feed Dog, for 3/32 in. to 5/16 in. gauge, for lap seam feller, for 180, for 19-5 Machine, obsolete.....	65

NO.	PLATE	NAME	EACH
6832	—	Nos. cancelled, order 6831 and give gauge required.	
6833	—		
6834	—		
6835	—	Needle Bar for 6836, obsolete, use 4344.	\$ 40
6836	1708	Clamp with two 460F, for $\frac{3}{32}$ in. to $\frac{5}{16}$ in. gauge, old needle location, for 4344, for 19-5 Machine, obsolete..	60
6837	—	Nos. cancelled, order 6836 and give gauge required.	
6838	—		
6839 to 6850		Nos. cancelled, order 6836 and give gauge required.	
6851	1707	Presser Foot (short shank) old needle location, for 19-5 Machine, obsolete..	1 00
6852 to 6865		Nos. cancelled, order 6851 and give gauge required.	
6866 to 6879		Nos. cancelled, order 6812 and give gauge required.	
6880	749	Shuttle (outside) closed eye, complete, for 19-5, 19-15 and 19-16 Machines, Nos. 112D, 466H, 2076, 2078, 2080, 2086, 2090, 2210, 6914 and 6944.....	1 00
6881 to 6893		Nos. cancelled, order 6880 and give gauge required.	
6894	749	Shuttle (outside) closed eye, complete, for 19-5, 19-15 and 19-16 Machines, Nos. 112D, 466H, 2076, 2078, 2080, 2086, 2090, 2210, 6928 and 6944.....	1 00
6895 to 6907		Nos. cancelled, order 6894 and give gauge required.	
6908	1735	Shuttle (inside) closed eye, $\frac{3}{32}$ in. to $\frac{5}{16}$ in. gauge, complete, for 19-5 Machine, Nos. 112D, 466H, 2076, 2080, 2210, 3238, 3241, 3242, 3382 and 6945, obsolete.....	1 00
6909	—	Shuttle (inside) closed eye, $\frac{3}{32}$ in. to $\frac{5}{16}$ in. gauge, complete, for 19-5 Machine, Nos. 112D, 466H, 2076, 2080, 2210, 3238, 3241, 3242, 3383 and 6945, obsolete.....	1 00
6910	—	No. cancelled, order 6880 and give gauge required.	
6911	—	No. cancelled, order 6894 and give gauge required.	
6912	749	Shuttle (inside) closed eye, complete, for 19-5, 19-15 and 19-16 Machines, Nos. 112D, 466H, 2076, 2080, 2210, 3231, 3238, 3241, 3242 and 6945.....	1 00

NO.	PLATE	NAME	EACH
6913	749	Shuttle (inside) closed eye, complete, for 19-5, 19-15 and 19-16 Machines, Nos. 112D, 466H, 2076, 2080, 2210, 3232, 3238, 3241, 3242 and 6945.....	\$1 00
*6914	—	Shuttle (outside) Body with 398E, 2084 and 3240, for 6880.....	50
6915 to 6927		Nos. cancelled, order 6914 and give gauge required.	
*6928	—	Shuttle (outside) Body with 398E, 2084, 3230, 3240 and two 2212, for 6894:..	55
6929 to 6941		Nos. cancelled, order 6928 and give gauge required.	
6942	—	No. cancelled, order 6914.	
6943	—	No. cancelled, order 6928.	
*6944	—	Shuttle (outside) Cover for 6880 and 6894.....	35
*6945	—	Shuttle (inside) Cover for 6908, 6909, 6912 and 6913.....	35
6946	1708	Shuttle Driver, old needle location, for 19-5 Machine, obsolete.....	2 00
6947 to 6959		Nos. cancelled, order 6946 and give gauge required.	
6960	—	No. cancelled, order 6946 and give gauge required.	
6961	1708	Shuttle Race complete, old needle location, for 19-5 Machine, Nos. 240D, 629D, 6976 or 6981 and two 2049, obsolete.....	5 00
6962 to 6975		Nos. cancelled, order 6961 and give gauge required.	
6976	1708	Shuttle Race Loop Separator, for $\frac{3}{32}$ in. to $\frac{5}{16}$ in. gauge, old needle location, for 6961, obsolete.....	1 00
6977 to 6980		Nos. cancelled, order 6976 and give gauge required.	
6981	1708	Shuttle Race Loop Separator, for $\frac{1}{16}$ in. to $\frac{5}{16}$ in. gauge, old needle location, for 6961, obsolete.....	50
6982 to 6990		Nos. cancelled, order 6981 and give gauge required.	
6991	1707	Throat Plate for 6827 and 7021, old needle location, for 19-5 Machine, obsolete.....	60
6992 to 7005		Nos. cancelled, order 6991 and give gauge required.	
7006	1707	Throat Plate for 6831 and 7025, old needle location, obsolete.....	65

NUMERICAL LIST OF PARTS

NO.	PLATE	NAME	EACH
7007 to 7020		Nos. cancelled, order 7006 and give gauge required.	
7021	744	Feed Dog for 19-16 Machine and for $\frac{3}{32}$ in. to $\frac{1}{16}$ in. gauge for 19-5 Machine.....	\$ 60
7022	—	Nos. cancelled, order 7021 and give gauge required.	
7023	—		
7024	—		
7025	1707	Feed Dog, for $\frac{3}{32}$ in. to $\frac{5}{16}$ in. gauge, for lap seam feller, for 185 for 19-5 Machine, obsolete.....	60
7026	—	Nos. cancelled, order 7025 and give gauge required.	
7027	—		
7028	—		
7030	1708	Needle Bar Thread Eyelet for 3342, obsolete.....	01
7031	1708	Needle Bar Thread Eyelet for 7034, obsolete.....	01
7032	1708	Needle Clamp with 196F, for $\frac{3}{32}$ in. to $\frac{1}{8}$ in. gauge, old needle location, for 3342, obsolete.....	50
7033	—	No. cancelled, order 7032 and give gauge required.	
7034	1708	Needle Clamp with 465F and two 624F, for $\frac{1}{16}$ in. to $\frac{5}{16}$ in. gauge, old needle location, for 3044, obsolete.....	75
7035 to 7043		Nos. cancelled, order 7034 and give gauge required.	
7044	739	Oscillating Shaft for 19-5, 19-8 to 19-10 and 19-13 to 19-17 Machines.....	40
7045	732	Shuttle Driver for 19-13 and 19-14 Machines.....	75
7046	1712	Shuttle Race Ring with two 2269, for 7047.....	1 00
7047	—	Shuttle Race Ring 7046 with 7048 and two 198D, for 19-13 and 19-14 Machines.....	1 75
7048	1712	Shuttle Bobbin Case Position Finger Plate (two pieces) for 7047 and 7089.	75
7049	—	Shuttle Race Ring Cap 7053 with 7050 and two 26092, for 19-8, 19-13 and 19-14 Machines.....	50
7050	1712	Shuttle Race Ring Cap Holder for 7049	20
7051	—	No. cancelled, order 2269.	
7052	—	No. cancelled, order 26092.....	
7053	1712	Shuttle Race Ring Cap for 7049.....	30
7054	1734	Oscillating Shaft Crank 7225 with two 462C, for 19-8 and 19-10 Machines, obsolete.....	50

NUMERICAL LIST OF PARTS

NO.	PLATE	NAME	EACH
*7055	—	Arm with 122D, 283D and 7248, for 19-8 and 19-10 Machines.....	\$7 00
7056	731	Cloth Plate for 19-8 Machine.....	1 00
*7057	—	Cylinder, $2\frac{1}{4}$ in. diam., for 19-8 Machine	15 00
7058	1710	Face Plate for 600 and 2111 for 19-8 and 19-10 Machines, obsolete.....	50
7059	—	Feed Dog for 180 for 19-8 Machine, obsolete, use 7091.....	1 50
Nos. 7060 TO 7067 FOR 19-8 AND 19-10 MACHINES.			
7060	1710	Needle Bar.....	50
7061	1710	" " Frame.....	1 00
7062	731	" " " Cam for 7063, obsolete.....	1 25
7063	731	Needle Bar Frame Cam 7062 with 180F and 7064, obsolete.....	2 00
7064	731	Needle Bar Frame Cam Bevel Gear for 7063, obsolete.....	75
7065	731	Needle Bar Frame Cam Cover, obsolete	25
7066	1714	" " " Driving Bevel Pinion, 18 teeth, with two 453C, obsolete....	30
7067	1710	Needle Bar Frame Pitman, obsolete....	40
Nos. 7068 TO 7072 FOR 19-8 AND 19-10 MACHINES.			
7068	1714	Needle Bar Frame Pitman Hinge Stud	15
7069	1714	" " " Regulator with 1820 and two 226D, obsolete.....	80
7070	1713	Needle Bar Frame Regulator Adjusting Screw Stud Sleeve.....	10
7071	1722	Needle Bar Frame Regulator Cap Screw Washer, obsolete.....	01
7072	1714	Needle Bar Thread Guard.....	01
7073	734	Presser Foot (plain) for 19-8 Machine..	2 00
7074	734	Presser Foot with Separating Blade complete, for joining two edges, for 19-8 Machine, Nos. 111D, 337D, 714D and 7075 to 7079.....	3 50
7075	734	Presser Foot Body for 7074.....	2 25
Nos. 7076 TO 7079 FOR 7074 AND 7111.			
7076	734	Presser Foot Separating Blade.....	50
7077	734	" " " " Adjusting Stud.....	05
7078	734	Presser Foot Separating Blade Lever	25
7079	734	" " " " " Bracket.....	25

NO.	PLATE	NAME	EACH
7080	—	Shuttle, 1 $\frac{1}{16}$ in. diam. (left hand) Nos. 2996, 7084 and 7085, for 19-8 Machine, obsolete, use 15086.....	\$1 75
7081	—	No. cancelled, order 7084.	
Nos. 7082 TO 7084 FOR 19-8 TO 19-10 MACHINES, OBSOLETE.			
7082	—	Shuttle Bobbin Case Latch for 7084, use 6666.....	10
7083	—	Shuttle Bobbin Case Position Finger for 7084, use 6667.....	10
7084	1733	Shuttle Bobbin Case complete for 7080 and 7097, Nos. 591F, 592E, 2521, 2523, 6666, 6667 and 7086, use 15127.....	85
7085	1733	Shuttle Body for 7080, 15086 and 15126	90
7086	—	" Tension Spring for 7084 and 15087, obsolete, use 12499.....	10
7087	734	Throat Plate for 7091.....	1 25
7088	1713	Shuttle Race Ring with two 2269, for 7089.....	1 00
7089	—	Shuttle Race Ring 7088 with 7048, 7090 and two each 198D and 665D, for 19-8 Machine.....	2 25
7090	1713	Shuttle Race Ring Thread Protector for 7089.....	50
7091	734	Feed Dog for 19-8 Machine.....	1 50
7092	1710	Face Plate for 600 for 19-8 and 19-10 Machines, obsolete.....	50
*7093	—	Cylinder, 1 $\frac{3}{16}$ in. diam., for 7094 and 7107, obsolete.....	10 00
Nos. 7094 TO 7096 FOR 19-9 MACHINE, OBSOLETE,			
*7094	—	Cylinder 7093 with 7100 and three 180D	14 50
7095	—	Feed Dog for 180, for cloth, use 7105...	35
7096	—	" " " " " leather, use 7106..	35
7097	—	Shuttle, 1 $\frac{1}{2}$ in. diam. (left hand) Nos. 2996, 7084 and 7098, for 19-9 and 19-10 Machines, obsolete, use 17304.	1 75
7098	1715	Shuttle Body for 7097, 17304 and 17313	90
7099	732	" Driver for 19-9, 19-10 and 19-17 Machines.....	75
7100	—	Shuttle Race complete for 19-9 and 19-17 Machines, Nos. 7101, 7102 and four 750D.....	4 50
7101	731	Shuttle Race Body for 7100.....	2 75
7102	731	" " Ring for 7100.....	1 75
7103	735	Throat Plate for 7105.....	1 00

NO.	PLATE	NAME	EACH
7104	735	Throat Plate for 7106 for 19-9 Machine	\$1 00
7105	735	Feed Dog, for cloth, for 19-9 Machine..	35
7106	736	" " " leather, for 19-9 Machine and for $\frac{1}{32}$ in. to $\frac{1}{16}$ in. gauge for 19-17 Machine.....	35
Nos. 7107 TO 7109 FOR 19-10 MACHINE, OBSOLETE.			
*7107	—	Cylinder 7093 with 7113 and three 180D	14 50
7108	—	Feed Dog for 180, use 7118.....	1 50
7109	—	" " " " " 7119.....	1 50
Nos. 7110 TO 7119 FOR 19-10 MACHINE.			
7110	733	Presser Foot (plain) for 7116 and 7117.	2 00
7111	733	Presser Foot with Separating Blade complete, for joining two edges, Nos. 111D, 337D, 714D, 7076 to 7079 and 7112...	3 50
7112	—	Presser Foot Body for 7111.....	2 25
7113	—	Shuttle Race complete for 7107 and 17316, Nos. 7114, 7115 and four 750D	4 50
7114	731	Shuttle Race Body for 7113.....	2 75
7115	731	" " Ring for 7113.....	1 75
7116	733	Throat Plate with 17319, for 7118.....	1 50
7117	733	" " " " " 7119.....	1 50
7118	733	Feed Dog.....	1 50
7119	733	" "	1 50
7120	1723	Bobbin Winder (eccentric) complete for 2073 and 2210, for 7370, for 19-4, 19-5, 19-11, 19-12, 19-15 and 19-16 Machines, Nos. 286D, 2460, 2466, 2469 and 7121	60
7121	1723	Bobbin Winder Frame for 7120 and 7122	15
7122	1723	Bobbin Winder (eccentric) complete for 2996, for 7370, for 19-8 to 19-10, 19-13, 19-14 and 19-17 Machines, Nos. 286D, 2460, 2466, 2694 and 7121.....	60
7123	—	Knee Lifter complete (power table) for 19-8 to 19-14 Machines, Nos. 2269, 2717, 2718, 5608, 6333, 6348, 7126 and 16659, obsolete.....	1 75
7124	1705	Rock Shaft for 7126.....	10
7125	1705	" " Lifting Bracket Hook for 7126.....	15
7126	1705	Rock Shaft complete for 7123, 7134, 17337 and 17338, Nos. 2770, 6336, 6337, 7124, 7125 and two 2764.....	1 10
7127	1709	Knee Lever, obsolete.....	25
7128	1709	" " Hanger (front) with 141E, for 7127, obsolete.....	10
7129			

NO.	PLATE	NAME	EACH
7130	1709	Knee Lever Hanger (back) for 7127, obsolete.....	\$ 08
7131	1709	Pitman Lever with 7132 and 7133, obsolete.....	30
7132	1709	Pitman Lever Bracket for 7131, obsolete	10
7133	1714	" " Hinge Pin for 7131, obsolete.....	01
7134	—	Knee Lifter complete (stand) for 19-8 to 19-14 Machines, Nos. 2269, 2717, 2718, 5608, 6343, 6348, 7126 and 16659, obsolete.....	1 75
7135	—	Foot Lifter complete for 19-9 and 19-11 to 19-14 Machines, Nos. 122D, 2269, 2717, 2718, 5608, 5668, 5672, 6348, 6439 and 16659, obsolete.....	1 25
7136	—	No. cancelled, order 6880 and give gauge required.	
7137	—	No. cancelled, order 6894 and give gauge required.	
7138	749	Shuttle Driver for 19-5, 19-15 and 19-16 Machines.....	2 00
7139	747	Shuttle Race without Position Plate complete, for $\frac{3}{32}$ in. to $\frac{3}{16}$ in. gauge, for 19-5, 19-15 and 19-16 Machines, Nos. 7154, 17399 and two 240D.....	5 00
7140 to 7153		Nos. cancelled, order 7139 and give gauge required.	
7154	747	Shuttle Race Loop Separator, for $\frac{3}{32}$ in. to $\frac{3}{16}$ in. gauge, for 7139 and 17308.....	1 00
7155 to 7158		Nos. cancelled, order 7154 and give gauge required.	
7159	747	Shuttle Race Loop Separator, for $\frac{1}{16}$ in. to $\frac{5}{16}$ in. gauge, for 17401 and 17402.....	50
7160 to 7168		Nos. cancelled, order 7159 and give gauge required.	
7169	1705	Machine Base with four each 318E, 6055 and wood screws 1 in. No. 12, for 19-4, 19-5, 19-8 and 19-11 to 19-14 Machines.....	75
7170	1705	Lifting Lever for 17335, 17337 and 17338	25
7173	1715	Shuttle Driver for 19-8 Machine.....	75
7174	732	" " (left hand) for 17301, obsolete.....	75
7175	739	Presser Bar Spring (light) for 19-15 and 19-16 Machines.....	05
7177	1732	Shuttle Race Ring Cap Spring for 19-4, 19-11 and 19-12 Machines.....	03
7178	744	Throat Plate for 7183.....	60

NO.	PLATE	NAME	EACH
7179	744	Throat Plate for 7199 and 7200.....	\$ 65
7180	—	No. cancelled.	
7181	739	Presser Bar Lifting Bracket with 453C and 5613, for 19-15 and 19-16 Machines.....	25
7182	744	Feed Dog, for $\frac{3}{16}$ in. to $\frac{1}{4}$ in. gauge, for 19-5 and 19-15 Machines.....	60
7183	744	Feed Dog, for $\frac{1}{4}$ in. to $\frac{5}{16}$ in. gauge, for 19-5 Machine.....	60
7184	744	Throat Plate for 7021 for 19-5 Machine	60
7185	—	Nos. cancelled, order 7184 and give gauge required.	
7186	—		
7187	—		
7188	744	Throat Plate for 7182 for 19-5 Machine	60
7189	—	Nos. cancelled, order 7188 and give gauge required.	
7190	—		
7191 to 7194		Nos. cancelled, order 7178 and give gauge required.	
7195	744	Feed Dog, for $\frac{3}{32}$ in. to $\frac{5}{32}$ in. gauge, for 19-15 Machine.....	65
7196	—	No. cancelled, order 7195.	
Nos. 7197 TO 7201 FOR 19-15 MACHINE.			
7197	745	Feed Dog, for $\frac{3}{16}$ in. to $\frac{3}{32}$ in. gauge....	65
7198	745	" " (spiked teeth) for $\frac{3}{16}$ in. to $\frac{3}{32}$ in. gauge.....	65
7199	744	Feed Dog, for $\frac{1}{4}$ in. to $\frac{5}{16}$ in. gauge....	65
7200	744	" " (spiked teeth) for $\frac{1}{4}$ in. to $\frac{5}{16}$ in. gauge.....	65
7201	744	Throat Plate for 7195.....	65
7202	—	Nos. cancelled, order 7201 and give gauge required.	
7203	—		
7204	—		
7205	745	Throat Plate for 7197 and 7198.....	65
7206	—	Nos. cancelled, order 7205 and give gauge required.	
7207	—		
7208 to 7211		Nos. cancelled, order 7179 and give gauge required.	
7212	741	Cloth Plate with 2653, for 621, for $\frac{3}{32}$ in. and $\frac{7}{64}$ in. gauges, for 7213.....	1 00
7213	—	Cloth Plate 7212 with 7214, 7215 and two 401D, for 19-16 Machine.....	2 00
7214	741	Cloth Plate Bracket (right) for 7213 and 17333.....	50
7215	741	Cloth Plate Bracket (left) for 7213 and 17333.....	50

from the University of Toronto Libraries

NO.	PLATE	NAME	EACH
7216	—	No. cancelled, order 7021 and give gauge required.	
7217	1701	Throat Plate for 7021 for 19-16 Machine	\$ 75
7218 to 7221	—	Nos. cancelled, order 7217 and give gauge required.	
7222	735	Feed Dog (reversible) for 185 for 19-9 Machine, obsolete.....	35
7223	—	No. cancelled.	
7224	739	Presser Bar for 19-15 Machine.....	40
*7225	—	Oscillating Shaft Crank with 1813, for 7054, obsolete.....	50
7226	—	No. cancelled, order 7217 and give gauge required.	
7227	1724	Bobbin Winder Frame for 7228, 17334, 17336 and 17390.....	15
7228	1723	Bobbin Winder (eccentric) Hamburg, complete, for 2073 and 2210, for 2862, for 19-4, 19-5, 19-11, 19-12, 19-15 and 19-16 Machines, Nos. 286D, 2460, 2466, 2847 and 7227.....	70
*7229	—	Arm with 122D, 283D and 7248, for 19-15 and 19-16 Machines.....	6 00
7230	1716	Throat Plate for 17346.....	1 00
7231	734	Presser Foot, for inside stays, for 19-9 Machine.....	75
7232	—	No. cancelled, order 7231 and give gauge required.	
7233	—	No. cancelled, order 7217 and give gauge required.	
7234	737	Balance Wheel (power) 3 in. pulley, 4¼ in. outside diameter, with two 448C.....	75
7235	1717	Feed Dog for 19-10 Machine.....	1 50
7236	1716	" " (reversible) for 185 for 19-9 Machine, obsolete.....	35
7237	1716	Throat Plate for 7236, obsolete.....	1 00
7238	1701	" " (old needle location) for 7021 for 19-16 Machine, obsolete.....	75
7239	—	No. cancelled.	
7240	1709	Pitman, 12 in. long, for 19-9 and 19-10 Machines, obsolete.....	05
7241	—	No. cancelled.	
7242	1717	Presser Foot for 7244.....	1 50
7243	1717	" " " 7245.....	2 00
7244	1717	Throat Plate with 17319, for 7235.....	1 50
7245	1717	" " " Separator and 17319, for 7235.....	2 00

NO.	PLATE	NAME	EACH
7246	—	No. cancelled, order 7184 and give gauge required.	
7247	1701	Presser Foot for 19-16 Machine.....	\$1 25
*7248	—	Arm Side Plate for 6801, 7055 and 7229	75
7249	739	Presser Bar Spring (heavy) for 19-15 and 19-16 Machines.....	05
7250	746	Presser Foot (long shank) for general work, for 19-5 Machine.....	1 20
7290	1730	Needle Bar Frame Cam and Bevel Gear Cover for 19-8 and 19-10 Machines...	25
7293	1730	Needle Bar Frame Pitman for 19-8 and 19-10 Machines.....	30
7298	1713	Needle Bar Frame Regulator Shaft Pin for 19-8 and 19-10 Machines..per 100	10
7370	1729	Balance Wheel (stand) heavy rim, 3 in. pulley, with two 448C.....	75
7577	1713	Needle Bar Frame Regulator Shaft for 19-8 and 19-10 Machines.....	10
7958	2642	Feed Regulator Arm Pin for 19-8 and 19-10 Machines.....	01
7958	2642	Feed Regulator Lever Pin for 19-4, 19-5, 19-9 and 19-15 to 19-17 Machines....	01
7958	2642	Pitman Pin for 25216.....	01
7958	2642	Under Driver Driving Pulley Friction Ring Stop Pin for 27630 and 27756..	01
7958	2642	Under Driver Driving Pulley Screw Centre Bearing Dowel Pin for 27630.	01
8505	1732	Shuttle Race Ring Cap Hinge Rivet for 6150.....per 100	10
8879	1722	Arm Spool Pin Washer (cloth) for 19-8 to 19-14 Machines.....	01
8908	1704	Wrench for 1520 (Accessories).....	08
8909	1704	" " 1513, 1517 and 1518 (Accessories).....	10
9079	362	Under Driver Treadle Pitman Rod Clamp with 354C, for 27640.....	12
9082	1101	Under Driver Treadle Bearing Cotter Pin for 27642.....	01
10141	748	Bobbin Winder Tension Spring for 27308	01
10187	1734	Throat Plate Thread Catch for 19-10 Machine.....	02
10248	1734	Tape Guide Slide Stop Stud for 26860..	01
11166	739	Presser Bar for 19-16 Machine.....	40
11170	748	" " Spring Washer for 19-15 and 19-16 Machines.....	01
11193	748	Presser Foot Hinge Pin for 17365..per 100	10
11241	1703	Bobbin Winder Spool Washer (cloth) for 27308.....per 100	2

NO.	PLATE	NAME	EACH
11740	748	Presser Foot Plate Hinge Pin for 17380 and 17382.....	per 100 \$ 10
11742	1734	Pitman Washer for 25216.....	01
12178	1101	Under Driver Lever Centre Plug (wood) for 27644.....	01
12403	1722	Arm Spool Pin and Thread Eyelet for 19-8 to 19-14 Machines.....	05
12459	2641	Under Driver Cone Pulley Oil Hole Stop Screw Washer (leather) for 27750, per 100.....	50
12499	1733	Shuttle Tension Spring for 15127, 15148, 17311 and 17324.....	10
13211	743	Tape Holder Tension Spring for 26074.....	02
14805	1722	Needle Clamp Gib (right) for 17397.....	10
14906	1722	" " Thread Guard for 17397.....	03
15027	1736	Shuttle Bobbin Case Position Finger for 15277.....	05
15072	1734	Bobbin Winder Bobbin Position Pin for 27538 and 27610.....	per 100 10
15086	—	Shuttle, 1 1/16 in. diam., Nos. 2996, 7085 and 15087, for 19-8 Machine, obsolete, use 15126.....	1 75
15087	1733	Shuttle Bobbin Case complete for 15086 and 17304, Nos. 591F, 592E, 2523, 2975, 7086, 16025 and 16028, obsolete, use 15127.....	85
15100	1736	Shuttle, 1 1/16 in. diam., Nos. 2515, 2996 and 15277, for 19-13 and 19-14 Machines.....	1 50
15126	1733	Shuttle, 1 1/16 in. diam., Nos. 2996, 7085 and 15148, for 19-8 Machine.....	1 75
15127	1733	Shuttle Bobbin Case complete for 7080, 7097, 15086, 17301 and 17304, Nos. 591F, 592E, 2523, 2975, 12499, 16025 and 16028, obsolete, use 15148.....	85
15140	1736	Shuttle Bobbin Case Latch for 15141.....	10
15141	—	" " Hinge, Nos. 2973, 2974 and 15140, for 15277.....	25
15148	1733	Shuttle Bobbin Case complete for 7080, 7097, 15086, 15126 and 17304, Nos. 591F, 592E, 2523, 2975, 12499, 15258 and 16092.....	85
15258	1733	Shuttle Bobbin Case Position Finger for 15148.....	05
15277	1736	Shuttle Bobbin Case complete for 15100, Nos. 591F, 592E, 2523, 2975, 15027, 15141 and 15278.....	75

NO.	PLATE	NAME	EACH
15278	1736	Shuttle Tension Spring for 15277.....	\$ 10
15972	1725	Needle Bar Frame Cam and Bevel Gear (steel) 36 teeth, for 19-8 and 19-10 Machines.....	3 00
16025	—	Shuttle Bobbin Case Hinge, Nos. 2974, 16026 and 16027, for 15087, 15127 and 17311, obsolete.....	25
16026	1733	Shuttle Bobbin Case Latch for 16025, obsolete.....	10
16027	1733	Shuttle Bobbin Case Latch Lever for 16025 and 16092.....	10
16028	1733	Shuttle Bobbin Case Position Finger for 15087 and 15127, obsolete.....	05
16091	1733	Shuttle Bobbin Case Latch for 16092.....	10
16092	—	" " Hinge, Nos. 2974, 16027 and 16091, for 15148 and 17324.....	25
16639	1722	Feed Rod Spring.....	02
16659	1704	Lifting Lever Spring for 7123, 7134, 7135, 17335, 17337 and 17338.....	05
16767	1706	Feed Rock Shaft Arm with 453C, for 19-4, 19-5, 19-8 to 19-10 and 19-13 to 19-17 Machines.....	75
16770	1725	Feed Forked Connection for 19-13 and 19-14 Machines.....	75
17301	1715	Shuttle, 1 1/16 in. diam. (left hand) short heel, Nos. 2996, 15127 and 17303, for 19-8 Machine, obsolete.....	1 75
17302	1715	Shuttle Tension Spring for 17301, obsolete.....	10
17303	1715	Shuttle Body for 17301, obsolete.....	90
17304	—	" 1 1/2 in. diam. (left hand) Nos. 2996, 7098 and 15087, for 19-9 and 19-10 Machines, obsolete, use 17313.....	1 75
17305	740	Cloth Plate, for 6 in. round end, for 1/4 in. to 5/16 in. gauge, for general work, for 19-5 Machine.....	1 00
17306	744	Throat Plate for 7182 for 19-15 Machine.....	60
17307	747	Shuttle Race Position Plate for 17308 and 17402.....	20
17308	747	Shuttle Race with Position Plate complete, for 3/32 in. to 5/16 in. gauge, for 19-5, 19-15 and 19-16 Machines, Nos. 7154, 17307, 17400 and two each 233D and 240D.....	5 00
17309	737	Face Plate with Tension Bracket (solid) for 17310.....	90

NO.	PLATE	NAME	EACH
17310	—	Face Plate complete for 19-4, 19-5 and 19-15 to 19-17 Machines, Nos. 86D, 330D, 448C, 808F, 809F, 2105, 2107, 2127, 2248, 2410, 2411, 4377, 17309, two each 233D, 1560C, 2103 and four 2102.....	\$2 00
17311	1733	Shuttle Bobbin Case complete for 17313, Nos. 591F, 592E, 2523, 2975, 12499, 16025 and 17312, obsolete, use 17324	85
17312	1715	Shuttle Bobbin Case Position Finger for 17311 and 17324.....	05
17313	1715	Shuttle, 1½ in. diam., Nos. 2996, 7098 and 17324, for 19-9, 19-10 and 19-17 Machines.....	1 75
*17314	—	Cylinder, 1¾ in. diam., for 19-17 Machine.....	10 00
*17314	—	Cylinder (low) 1¾ in. diam., for 17315 and 17316.....	10 00
*17315	—	Cylinder 17314 with 7100 and three 180D, for 19-9 Machine.....	14 50
*17316	—	Cylinder 17314 with 7113 and three 180D, for 19-10 Machine.....	14 50
17317	1711	Feed Rod for 19-9, 19-10 and 19-17 Machines.....	75
17318	1714	Feed Rod Raising Block for 19-9, 19-10 and 19-17 Machines.....	15
*17319	—	Throat Plate Thread Guard for 7116, 7117, 7244 and 7245.....	—
17320	1713	Needle Bar Frame Regulator with 1877 and two 226D, for 19-8 and 19-10 Machines.....	85
17321	738	Bobbin Winder Frame for 17322 and 17323.....	15
17322	738	Bobbin Winder (eccentric) complete for 2073 and 2210 for 7234, for 19-4, 19-5, 19-11, 19-12, 19-15 and 19-16 Machines, Nos. 286D, 2460, 2466, 2469 and 17321.....	60
17323	1723	Bobbin Winder (eccentric) complete for 2996 for 7234, for 19-8 to 19-10, 19-13, 19-14 and 19-17 Machines, Nos. 286D, 2460, 2466, 2694 and 17321.....	60
17324	1715	Shuttle Bobbin Case complete for 17313, Nos. 591F, 592E, 2523, 2975, 12499, 16092 and 17312.....	85
17325	746	Presser Foot, for inside stays (shoes) for 19-5 Machine.....	1 50

NO.	PLATE	NAME	EACH
*17326	—	Cylinder, 2¼ in. diam., for 19-15 and 19-16 Machines.....	\$12 00
17327	738	Feed Rock Shaft for 6167 for 19-5, 19-15 and 19-16 Machines, obsolete..	50
17328	742	Feed Rod Spring for 19-5, 19-15 and 19-16 Machines, obsolete.....	02
17329	748	Needle Clamp with two 460F, for 19-5, 19-15 and 19-16 Machines.....	60
17330	746	Presser Foot (short shank) for general work, for 19-5 Machine.....	1 00
17331	741	Cloth Plate with 2653, for 756 or 934, for ½ in. to ¾ in. gauge, for 17333....	1 00
17332	1709	Arm Shaft for 19-8 and 19-10 Machines	1 50
17333	—	Cloth Plate 17331 with 7214, 7215 and two 401D, for 19-16 Machine.....	2 00
17334	1724	Bobbin Winder (eccentric) Hamburg, complete, for 2996 for 2862, for 19-8 to 19-10, 19-13, 19-14 and 19-17 Machines, Nos. 286D, 2460, 2461, 2466, 2853 and 7227.....	70
17335	—	Foot Lifter complete, Nos. 802D, 4885, 6439, 7170 and 16659.....	1 35
17336	1724	Bobbin Winder (eccentric) complete for 2073 and 2210 for 2862, for 19-4, 19-5, 19-11, 19-12, 19-15 and 19-16 Machines, Nos. 286D, 2460, 2466, 2469 and 7227.....	60
17337	—	Knee Lifter complete (power table) for 19-9, 19-10 and 19-15 to 19-17 Machines, Nos. 802D, 6343, 7126, 7170 and 16659.....	1 60
17338	—	Knee Lifter complete (power table) for 19-4, 19-5, 19-8 and 19-11 to 19-14 Machines, Nos. 802D, 6333, 7126, 7170 and 16659.....	1 60
17339	746	Presser Foot, slotted for tape, for 19-5 Machine.....	1 50
17340	746	Presser Foot with keel slotted for tape, for staying, for 19-5 Machine.....	1 75
17341	1711	Face Plate for 17342.....	50
17342	—	Face Plate complete for 19-8 and 19-10 Machines, Nos. 233D, 448C, 460C, 600F, 1560C, 2103, 2105, 2111, 2124, 2127, 2269, 4369, 17341 and two 2102.....	1 25
*17343	—	Oscillating Shaft Crank with 1813, for 17344.....	50

NO.	PLATE	NAME	EACH
17344	1715	Oscillating Shaft Crank 17343 with two 462c, for 19-8, 19-10 and 19-17 Machines.....	\$ 50
17345	1713	Needle Bar Frame Driving Bevel Pinion, 18 teeth, with two 453c, for 19-8 and 19-10 Machines.....	30
17346	1716	Feed Dog for 19-9 Machine.....	40
17347	1709	Cloth Plate for 17349.....	1 40
17348	1709	" " Bracket with 345c, for 17349	35
17349	—	Cloth Plate with Bracket complete for 19-9 Machine, Nos. 17347, 17348 and two 389F.....	1 75
17350	745	Feed Dog, for leather (feeding surface at left of needle) for 19-5 Machine, obsolete.....	60
17351	745	Throat Plate for 17350, obsolete.....	60
17352	1718	Feed Dog for 19-9 Machine.....	60
17353	1718	Presser Foot for 17352.....	60
17354	1718	Throat Plate for 17352.....	1 25
17355	1719	Feed Dog for 19-14 Machine.....	60
17356	1719	Throat Plate for 17355.....	40
17358	1719	Feed Dog for 19-12 Machine.....	60
17359	1719	Throat Plate for 17358.....	40
17360	—	Presser Foot Plate for 17362.....	2 00
17361	—	" " Shank with 330b, for 17362	1 50
17362	746	Presser Foot (hinged) complete, hollowed across bottom between needle holes and heel, for riding seams, for lap seam feller, for 19-15 Machine, Nos. 17360, 17361 and 18055.....	3 50
17363	—	Presser Foot Plate for 17365.....	75
17364	—	" " Shank for 17365.....	50
17365	1720	Presser Foot (hinged) complete for 19-11 Machine, Nos. 11193, 17363 and 17364.....	1 25
17366	1720	Presser Foot, for inside stays, for 19-12 Machine.....	75
17367	1720	Presser Foot (plate rounded) for inside stays, for 19-14 Machine.....	75
17368	1720	Presser Foot (double keel) for inside stays, with keel at right and left of needle hole, for 19-12 Machine.....	1 00
17369	1720	Presser Foot (double grooved keel) for inside stays, with keel at right and left of needle hole, for 19-12 Machine.....	1 50
17370	1720	Presser Foot with guide on bottom to the right of needle hole, for shoe tips, for 19-11 Machine.....	75

NO.	PLATE	NAME	EACH
17371	—	Presser Foot Plate for 17373.....	\$1 25
17372	—	" " Shank for 17373.....	1 25
17373	1701	Presser Foot (spring hinged) complete, for general work, for 19-16 Machine, Nos. 17371, 17372, 18055 and 26231.	2 50
17374	746	Presser Foot, for shoe tips, with guide on bottom to the right of needle holes, for 19-5 Machine.....	1 25
17375	746	Presser Foot, for inside stays, with groove in keel, for 19-5 Machine.....	1 50
17376	—	Presser Foot Plate for 17377.....	2 00
17377	1721	Presser Foot (hinged) complete, plate rounded, for inside stays, for 19-5 Machine, Nos. 17376, 18055 and 26505	3 00
17378	—	Presser Foot Joint for 17380 and 17382.	2 00
17379	—	" " Plate for 17380.....	2 00
17380	1721	Presser Foot (double, hinged) complete, for inside stays, for 19-5 Machine, Nos. 11740, 17378, 17379, 18055 and 26505	5 00
17381	—	Presser Foot Plate for 17382.....	2 00
17382	1721	Presser Foot (double, hinged) complete, grooved keel, for inside stays for 19-5 Machine, Nos. 11740, 17378, 17381, 18055 and 26505.....	5 00
Nos. 17383 TO 17385 FOR 17386			
17383	1721	Presser Foot (spring presser).....	2 50
17384	1721	" " " " Bracket with 465F.....	1 60
17385	1721	Presser Foot (spring presser) Guide with 735c.....	75
17386	—	Presser Foot (spring presser) complete for 19-5 Machine, Nos. 1607D, 4461, 4462 and 17383 to 17385.....	5 00
17387	1720	Presser Foot for 19-12 and 19-14 Machines.....	70
17388	1718	Feed Dog, for 1/2 in. to 1/4 in. gauge, for 19-17 Machine, obsolete.....	40
17389	1718	Throat Plate for 17388, obsolete.....	1 00
17390	1724	Bobbin Winder (eccentric) complete for 2996 for 2862, for 19-8 to 19-10, 19-13, 19-14 and 19-17 Machines, Nos. 286D, 2460, 2466, 2694 and 7227.....	60
17391	—	Presser Foot Plate for 17393.....	2 50
17392	—	" " Shank for 17393.....	1 50
17393	1720	Presser Foot (hinged) with keel slotted for tape, for staying, complete, for 19-5 Machine, Nos. 17391, 17392 and 18055	4 00

NO.	PLATE	NAME	EACH
17394	1730	Needle Bar, for $\frac{3}{32}$ in. to $\frac{1}{16}$ in. gauge, for 19-4 Machine.....	\$ 50
17395	1722	Needle Clamp Body for 17397.....	50
17396	1722	" " Gib (left) for 17397.....	25
17397	—	Needle Clamp complete, for $\frac{3}{32}$ in. to $\frac{1}{16}$ in. gauge, for 17394 and 17413, Nos. 196F, 337D, 14805, 14906, 17395 and 17396.....	95
17398	1719	Throat Plate for 6157.....	60
17399	—	Shuttle Race Body (two pieces) with 629D and two 2049, for 7139 and 17401	5 00
17400	—	Shuttle Race Body (two pieces) with 629D and two 2049, for 17308 and 17402.....	5 00
17401	—	Shuttle Race without Position Plate complete, for $\frac{13}{64}$ in. to $\frac{5}{16}$ in. gauge, for 19-5 and 19-15 Machines, Nos. 7159, 17399 and two 240D.....	5 00
17402	—	Shuttle Race with Position Plate complete, for $\frac{13}{64}$ in. to $\frac{5}{16}$ in. gauge, for 19-5 and 19-15 Machines, Nos. 7159, 17307, 17400 and two each 233D and 240D.....	5 00
Nos. 17403 TO 17405 FOR 19-4 MACHINE.			
17403	732	Cloth Plate, for $\frac{3}{32}$ in. to $\frac{3}{16}$ in. gauge..	1 00
17404	1719	Feed Dog, for $\frac{3}{32}$ in. to $\frac{3}{16}$ in. gauge...	1 00
17405	1722	Needle Clamp with two 460F, for $\frac{3}{32}$ in. to $\frac{3}{16}$ in. gauge.....	80
17406	1707	Presser Foot, for general work, for $\frac{3}{32}$ in. to $\frac{3}{16}$ in. gauge for 19-4 Machine and for $\frac{3}{32}$ in. to $\frac{1}{8}$ in. gauge for 19-17 Machine.....	1 00
17407	1707	Presser Foot, for staying, for $\frac{3}{32}$ in. to $\frac{3}{16}$ in. gauge for 19-4 Machine and for $\frac{3}{32}$ in. to $\frac{1}{8}$ in. gauge for 19-17 Machine.....	1 50
Nos. 17408 TO 17411 FOR 19-4 MACHINE.			
17408	1732	Shuttle Race Ring 6168 with 17410 and two 590D, for 17409.....	1 35
17409	—	Shuttle Race Ring 17408 with 6150....	1 60
17410	1732	" " " Thread Protector for 17408.....	25
17411	1719	Throat Plate for 17404.....	75
Nos. 17412 TO 17416 FOR 19-17 MACHINE.			
17412	736	Feed Dog, for $\frac{3}{32}$ in. to $\frac{1}{8}$ in. gauge....	60

NO.	PLATE	NAME	EACH
17413	1730	Needle Bar, for $\frac{3}{32}$ in. to $\frac{1}{16}$ in. gauge..	\$ 50
17414	1734	" Clamp with two 460F, for $\frac{3}{32}$ in. to $\frac{1}{8}$ in. gauge.....	80
17415	736	Throat Plate for 7106.....	1 00
17416	736	" " " 17412.....	1 00
18055	1702	Presser Foot Hinge Pin for 17362, 17373, 17377, 17393, 25961 and 26864.....	01
18055	1702	Presser Foot Joint Hinge Pin for 17380 and 17382.....	01
25010	1738	Band Wheel Crank for 25124.....	15
25023	—	Belt, size $\frac{1}{4}$ in., length 65 in., with 25127, for 25216, for 19-4, 19-5, 19-8 and 19-11 to 19-14 Machines.....	20
25050	1738	Dress Guard for 25216.....	25
25067	1738	Leg for 25216.....	1 50
25074	1738	Pitman (adjustable) complete with two each 558E, 1570E, 25075 and 25123, for 25216.....	25
25075	1722	Pitman Adjusting Screw Washer for 25074.....	01
25086	1738	Wrench for 1507 and 1510.....	10
25123	—	Pitman Adjusting Block for 25074....	02
25124	1738	Band Wheel, 12 $\frac{1}{2}$ in. diam., with 2117 and 25010, for 25216.....	1 10
25127	1722	Belt Hook for 25023 and 25372.....	01
25191	1738	Brace with three each 297C and 1507E, for 25216.....	1 70
25216	—	Stand (iron work) rocking treadle, complete, Nos. 1059E, 7958, 11742, 25050, 25074, 25086, 25124, 25191, 25445, two 25067 and four 506E.....	—
25303	2641	Under Driver Cone Pulley Ball, size $\frac{1}{4}$ in., for 27770..... per 100	1 00
25303	2641	Under Driver Driving Pulley Shaft Ball, size $\frac{1}{4}$ in., for 27760 and 27765, per 100.....	1 00
25303	2641	Under Driver Driving Pulley Shaft Screw Bearing Ball Case (left) Friction Stud Ball, size $\frac{1}{4}$ in., for 27760..per 100	1 00
25372	—	Belt, size $\frac{1}{4}$ in., length 63 in., with 25127, for 25216, for 19-9, 19-10 and 19-15 to 19-17 Machines.....	20
25445	1738	Treadle for 25216.....	65
25834	967	Lap Seam Feller (foot) for 19-5 Machine	3 40
25888	1701	Hemmer Tongue for 19-16 Machine....	01
25897	1726	" (foot) $\frac{1}{8}$ in. hem, for 19-9 and 19-11 to 19-14 Machines.....	1 00

NO.	PLATE	NAME	EACH
25898	—	Hemmer (foot) $\frac{3}{16}$ in. hem, for 19-9 and 19-11 to 19-14 Machines.....	\$1 00
25961	1702	Presser Foot (spring hinged) complete for 19-15 Machine and 26175, Nos. 337D, 18055, 26254, 26504 and 26505	3 00
26026	1704	Screw Driver, machine (Accessories)...	10
26050	1701	Hemmer (foot) for felling, for 19-16 Machine.....	3 00
26051	1701	Hemmer Bracket with two 211F, for 19-16 Machine.....	1 25
26051	1701	Presser Foot Bracket with 211F, for 19-16 Machine.....	1 25
26054	1701	Cloth Plate Cloth Guide for 19-16 Machine.....	1 50
26055	1701	Cloth Plate Spring Guide for 19-16 Machine.....	15
26061	989	Tape Holder Bracket Wire with Disc, for 26063.....	20
26062	989	Tape Holder Disc (adjustable) with 35925, for 26063.....	30
26063	989	Tape Holder (straight) complete for 26065, Nos. 26061 and 26062.....	50
26064	737	Tape Holder Foot with 736D and three wood screws 1 in. No. 12, for 26343..	20
26065	—	Tape Holder (8 in. disc) with Foot complete, Nos. 26063 and 26325.....	70
26066	989	Tape Holder Bracket Wire for 26067....	20
26067	—	Tape Holder Bracket Wire complete for 26074, Nos. 26066, 26068 and 26072..	60
26068	989	Tape Holder Disc for 26067 and 26071..	15
26069	989	" " " Hub for 26071.....	—
26070	—	" " " Rivet for 26071, per 100.....	10
26071	—	Tape Holder Disc complete for 26074, Nos. 26068, 26069 and three 26070..	40
26072	989	Tape Holder Tape Guide for 26067....	—
26073	743	" " Tension Adjusting Collar with 286D, for 26074.....	15
26074	989	Tape Holder (offset) complete for 26343, Nos. 13211, 26067, 26071 and 26073..	1 25
26092	748	Shuttle Race Ring Cap Holder Rivet for 7049..... per 100	15
Nos. 26171 to 26174 FOR 26175.			
26171	968	Lap Seam Feller Folder with 26503....	5 25
26172	968	" " " " Hinge Bracket with 446A and 2273.....	1 50

NO.	PLATE	NAME	EACH
26173	968	Lap Seam Feller Folder Lock Stud.....	\$ 05
26174	968	" " " " " " " " Spring	05
26175	968	Lap Seam Feller (hinged) complete for 19-15 Machine, Nos. 96B, 228B and 26171 to 26174.....	6 75
26231	1734	Presser Foot Spring for 17373.....	02
26254	1702	" " " " 25961 and 26864	02
26325	737	Tape Holder Foot with 736D and three wood screws 1 in. No. 12, for 26065..	20
26343	—	Tape Holder (10 in. disc) with Foot complete, Nos. 26064 and 26074.....	1 45
*26352	—	Lap Seam Feller Folder for 26483.....	3 25
26480	—	" " " Slide for 26483, 26857 and 26858.....	15
26480	—	Strip Folder Slide for 26859.....	15
26483	1702	Lap Seam Feller (right hand) complete for 19-15 Machine, Nos. 26352 and 26480.....	3 40
26484	1702	Lap Seam Feller Holder for 26483, 26857 and 26858.....	75
26484	1702	Strip Folder Holder for 26859.....	75
26484	1702	Tape Guide Holder for 26861.....	75
26485	1704	Screw Driver, shuttle tension (Accessories).....	05
26503	968	Lap Seam Feller Folder Arm for 26171..	1 00
26504	—	Presser Foot Plate for 25961.....	2 00
26505	—	" " Shank for 17377, 17380, 17382 and 25961.....	1 00
26644	1726	Presser Foot Guide Hinge Pin for 26852	01
26691	—	Hemmer (foot) $\frac{1}{8}$ in. gauge, for 19-5 Machine.....	2 25
26692	1702	Hemmer (foot) $\frac{3}{16}$ in. gauge, for 19-5 Machine.....	2 25
Nos. 26849 to 26851 FOR 26852.			
26849	1726	Presser Foot.....	1 00
26850	1726	" " Guide.....	20
26851	1726	" " " Spring.....	05
26852	1726	Presser Foot (spring guide) complete for 19-12 Machine, Nos. 242D, 26644 and 26849 to 26851.....	1 25
26853	1727	Presser Foot (strip folding) with guide, for opening seams, for 19-15 Machine.	3 50
26854	1727	Presser Foot with lap seam guide on bottom, for 19-15 Machine.....	1 75
26855	1727	Presser Foot (strip folding) with long folder, for 19-5 Machine.....	3 75

NO.	PLATE	NAME	EACH
26856	1727	Presser Foot (strip folding) for 19-5 Machine.....	\$3 50
Nos. 26857 TO 26861 FOR 19-15 MACHINE:			
26857	1728	Lap Seam Feller (right hand) on 26480, for gussets.....	3 40
26858	1728	Lap Seam Feller (left hand) on 26480, for gussets.....	3 40
26859	1702	Strip Folder on 26480.....	2 50
26860	—	Tape Guide Slide with 10248, for 26861.....	1 50
26861	967	" " (tube) on 26860.....	1 50
26862	—	Presser Foot Plate for 26864.....	2 00
26863	—	" " Shank for 26864.....	1 00
26864	1727	Presser Foot (spring hinged) complete, for 19-5 Machine, Nos. 337D, 18055, 26254, 26862 and 26863.....	3 00
27070	363	Under Driver Shaft Driving Pulley (sectional, grooved) 10 in. diam., 1 ³ / ₁₆ in. bore, with two 597c, for 27645 and 27771.....	45
27302	1703	Bobbin Winder Frame for 27646, 27647 and 27656.....	15
27303	748	Bobbin Winder Frame Spring for 27646, 27647 and 27656.....	03
27305	1703	Bobbin Winder Spindle for 27646.....	20
27306	1703	" " Spool Pin for 27308.....	05
27307	1703	" " " Stand for 27308.....	10
27308	1703	Bobbin Winder Spool Stand complete for 27543, 27544 and 27612, Nos. 418D, 1562D, 2106, 10141, 11241, 27306, 27307 and two each 2455 and wood screws 1 in. No. 10.....	35
27309	1703	Bobbin Winder Stop Latch for 27646.....	08
27312	2445	" " " " " 27647 and 27656.....	08
27473	1101	Under Driver Cone Pulley Centre Bearing for 27509.....	08
27474	363	Under Driver Dress Guard (right hand) for 27644.....	08
27483	1101	Under Driver Lever Brake Spring for 27644.....	02
27485	1101	Under Driver Lever Hinge Pin for 27644.....	01
27497	1101	" " " Brake Strip (leather) for 27644.....	02
27508	362	Under Driver Belt Guard for 27644.....	08
27509	362	" " Cone Pulley (grooved) three speed, 2 ¹ / ₂ in., 3 ³ / ₄ in. and 5 ¹ / ₄ in. diam., with 27473, for 27644.....	60

NO.	PLATE	NAME	EACH
27538	2445	Bobbin Winder Spindle with 15072, for 27647.....	\$ 20
27540	1703	Bobbin Winder Base for 27646, 27647 and 27656.....	15
27541	1703	Bobbin Winder Pulley for 27646, 27647 and 27656.....	15
27543	—	Bobbin Winder (swinging automatic, right hand) complete, for 2073 and 2210, for 19-4, 19-5, 19-11, 19-12, 19-15 and 19-16 Machines, Nos. 27308 and 27646.....	1 25
27544	—	Bobbin Winder (swinging automatic, right hand) complete, for 2996, for 19-8 to 19-10, 19-13, 19-14 and 19-17 Machines, Nos. 27308 and 27647....	1 25
27598	—	Under Driver Driving Pulley Friction Ring (leather) for 27630 and 27756..	05
27600	1101	Under Driver Driving Pulley Hollow Stud Position Stud for 27631.....	02
27610	2445	Bobbin Winder Spindle with 15072, for 27611.....	20
27611	—	Bobbin Winder Spindle 27610 with 2846, for 27656.....	30
27612	—	Bobbin Winder (swinging automatic, right hand) Hamburg, complete, for 2996, for 19-8 to 19-10, 19-13, 19-14 and 19-17 Machines, Nos. 27308 and 27656.....	1 35
27623	2836	Thread Unwinder Spool Pin for 41527 and 41531.....	08
27630	362	Under Driver Driving Pulley (grooved) 6 in. diam., with 433C, 27598 and two 7958, for 27644.....	60
27631	1101	Under Driver Driving Pulley Hollow Stud with 27600, for 27644.....	15
27632	—	Under Driver Driving Pulley Hollow Stud Wick for 27633.....	01
Nos. 27633 TO 27635 FOR 27644.			
27633	—	Under Driver Driving Pulley Hollow Stud Wick Wire with 27632.....	05
27634	362	Under Driver Frame.....	60
27635	362	" " Oil Cup.....	25
27636	363	" " Treadle for 27642.....	30
Nos. 27637 TO 27639 FOR 27640.			
27637	362	Under Driver Treadle Pitman Rod (lower).....	05

NO.	PLATE	NAME	EACH
27638	1101	Under Driver Treadle Pitman Rod (lower) Spring.....	\$ 03
27639	362	Under Driver Treadle Pitman Rod (upper).....	05
27640	362	Under Driver Treadle Pitman complete for 27643, Nos. 2762, 9079 and 27637 to 27639.....	35
27642	—	Under Driver Treadle complete for 27643, Nos. 2878, 9082, 27636 and four wood screws 1 in. No. 16.....	45
27643	—	Under Driver Treadle and Pitman complete for 27645 and 27771, Nos. 27640 and 27642.....	80
27644	—	Under Driver Transmitter complete for 27645, Nos. 138E, 356C, 427E, 649E, 1508E, 12178, 27474, 27483, 27485, 27497, 27508, 27509, 27630, 27631, 27633 to 27635, 41338, two 145E and four wood screws 1½ in. No. 16.....	3 00
27645	—	Under Driver, lever pressure, right hand, three speed (oil controlling pulley) complete, Nos. 27070, 27643 and 27644.....	4 00
27646	1703	Bobbin Winder for 27543, Nos. 32D, 35D, 27302, 27303, 27305, 27309, 27540, 27541 and two wood screws 1 in. No. 7.....	90
27647	2445	Bobbin Winder for 27544, Nos. 32D, 35D, 27302, 27303, 27312, 27538, 27540, 27541 and two wood screws 1 in. No. 7.....	90
27656	2445	Bobbin Winder for 27612, Nos. 32D, 35D, 27302, 27303, 27312, 27540, 27541, 27611 and two wood screws 1 in. No. 7.....	1 00
27739	2836	Thread Unwinder Thread Cone (wood) for 41529 and 41533.....	05
Nos. 27750 TO 27757 FOR 27770.			
27750	2640	Under Driver Cone Pulley (grooved) two speed, 3¼ in. and 5¼ in. diam., with 878D and 12459.....	60
27751	2641	Under Driver Driving Pulley Shaft Ball Bearing Collar.....	25
27752	2641	Under Driver Driving Pulley Shaft Ball Bearing Collar Pin.....	04
27753	2641	Under Driver Cone Pulley Ball Bearing Adjusting Ring.....	15

NO.	PLATE	NAME	EACH
27754	2641	Under Driver Driving Pulley Shaft Screw Bearing Ball Case (left) Friction Stud Extension Pin.....	\$ 02
27755	2640	Under Driver Dress Guard (right hand)	10
27756	2640	" " Driving Pulley (grooved) 6 in. diam., with 315C, 7958 and 27598	60
27757	2641	Under Driver Driving Pulley Shaft.....	60
27758	2641	" " " " " Ball Safety Washer for 27760 and 27765..	01
27759	2641	Under Driver Driving Pulley Shaft Screw Bearing Ball Case (left) for 27760.....	20
27760	—	Under Driver Driving Pulley Shaft Screw Bearing Ball Case (left) complete for 27770, Nos. 27758, 27759, 27761 to 27763 and twelve 25303....	50
Nos 27761 TO 27763 FOR 27760.			
27761	2641	Under Driver Driving Pulley Shaft Screw Bearing Ball Case (left) Friction Stud.....	10
27762	2641	Under Driver Driving Pulley Shaft Screw Bearing Ball Case (left) Friction Stud Ball Plate.....	05
27763	2641	Under Driver Driving Pulley Shaft Screw Bearing Ball Case (left) Friction Stud Ball Plate Washer.....	01
27764	2641	Under Driver Driving Pulley Shaft Screw Bearing Ball Case (right) for 27765.....	20
Nos. 27765 TO 27767 FOR 27770.			
27765	—	Under Driver Driving Pulley Shaft Screw Bearing Ball Case (right) complete, Nos. 27758, 27764 and eight 25303.....	30
27766	2640	Under Driver Frame with two 1122C...	75
27767	2640	" " Lever with 27768 and two 27878.....	35
27768	2642	Under Driver Lever Brake (leather, two pieces) for 27767.....	03
27769	2642	Under Driver Lever Spring for 27770...	10
27770	—	Under Driver Transmitter complete for 27771, Nos. 348C, 1092E, 1093C, 1507E, 1513C, 2718, 27750 to 27752, 27754 to 27757, 27760, 27765 to 27767, 27769, two each 1143C, 27753, 27795, three wood screws 2 in. No. 16 and twenty-two 25303.....	3 00

142 NUMERICAL LIST OF PARTS

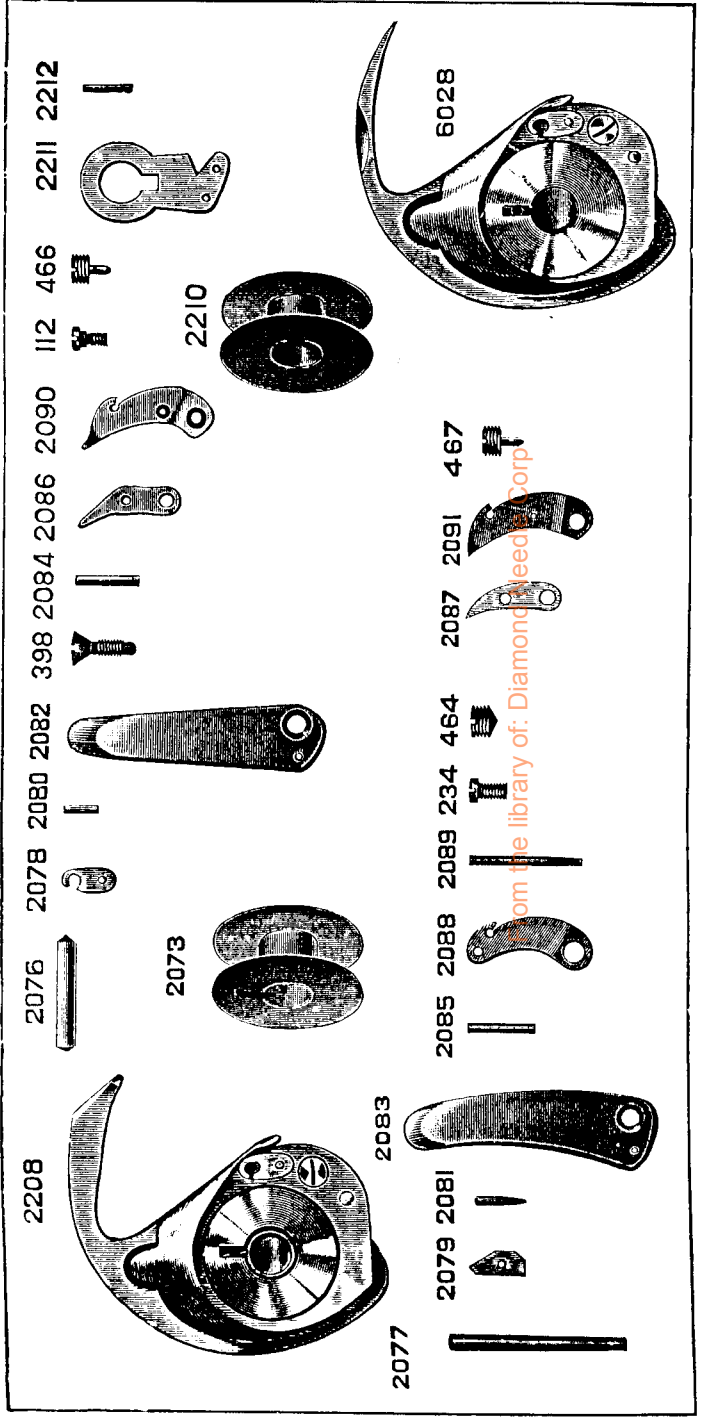
NO.	PLATE	NAME	EACH
27771	—	Under Driver (ball bearing) lever pressure, right hand, two speed, complete, Nos. 27070, 27643 and 27770..	\$4 00
27795	2641	Under Driver Cone Pulley Ball Bearing Adjusting Ring Set Screw Washer for 27770.....per 100	25
27878	2642	Under Driver Lever Brake Rivet for 27767.....	01
27940	2836	Thread Unwinder Spool Stand with 453C, for 41529 and 41533.....	20
35859	1704	Oiler with Cap and 35861, for 35860.....	07
35860	—	" 35859 filled with oil (Accessories).	10
35861	1704	" Spout, 3 1/2 in. long, for 35859.....	03
35925	1734	Tape Holder Disc Hub with 286D, for 26062.....	10
41338	362	Under Driver Lever for 27644.....	25
41514	2836	Thread Unwinder Spool Weight, 4 in. diam., with 41515, for 41529 and 41533.....	15
41515	1734	Thread Unwinder Spool Weight Centre Pin for 41514.....	05
41526	2836	Thread Unwinder Spool Rest for 41527	20
41527	—	" " " " 4 1 5 2 6 with 155C, 1149C and 27623, for 41529	35
41529	2836	Thread Unwinder complete, for one large spool or one large cone of thread, Nos. 27739, 27940, 41514, 41527, 41630, 41640 and three wood screws 1 in. No. 12.....	1 30
41530	2837	Thread Unwinder Spool Rest for 41531.	30
41531	—	" " " " 41530 with 1149C and two each 155C and 27623, for 41533.....	50
41533	2837	Thread Unwinder complete, for two large spools or two large cones of thread, Nos. 27940, 41531, 41631, 41640, two each 27739, 41514 and three wood screws 1 in. No. 12.....	1 80
41569	1734	Thread Unwinder Thread Guard Eyelet for 41630 and 41631.....	02
41630	2836	Thread Unwinder Thread Guard with 208E and 41569, for 41529.....	20
41631	2837	Thread Unwinder Thread Guard with 208E and two 41569, for 41533.....	35

NUMERICAL LIST OF PARTS 143

NO.	PLATE	NAME	EACH
Nos. 41637 TO 41639 FOR 41640.			
41637	2836	Thread Unwinder Thread Guard Rod (lower).....	\$ 10
41638	2836	Thread Unwinder Thread Guard Rod (upper).....	15
41639	2836	Thread Unwinder Thread Guard Rod Coupling with two 456C.....	20
41640	—	Thread Unwinder Thread Guard Rod complete, 30 in. long, for 41529 and 41533, Nos. 41637 to 41639.....	45

From the library of: Diamond Needle Corp

PLATE 217—FULL SIZE



from the library of: Diamond Speed Corp

PLATE 362—ONE-FOURTH SIZE

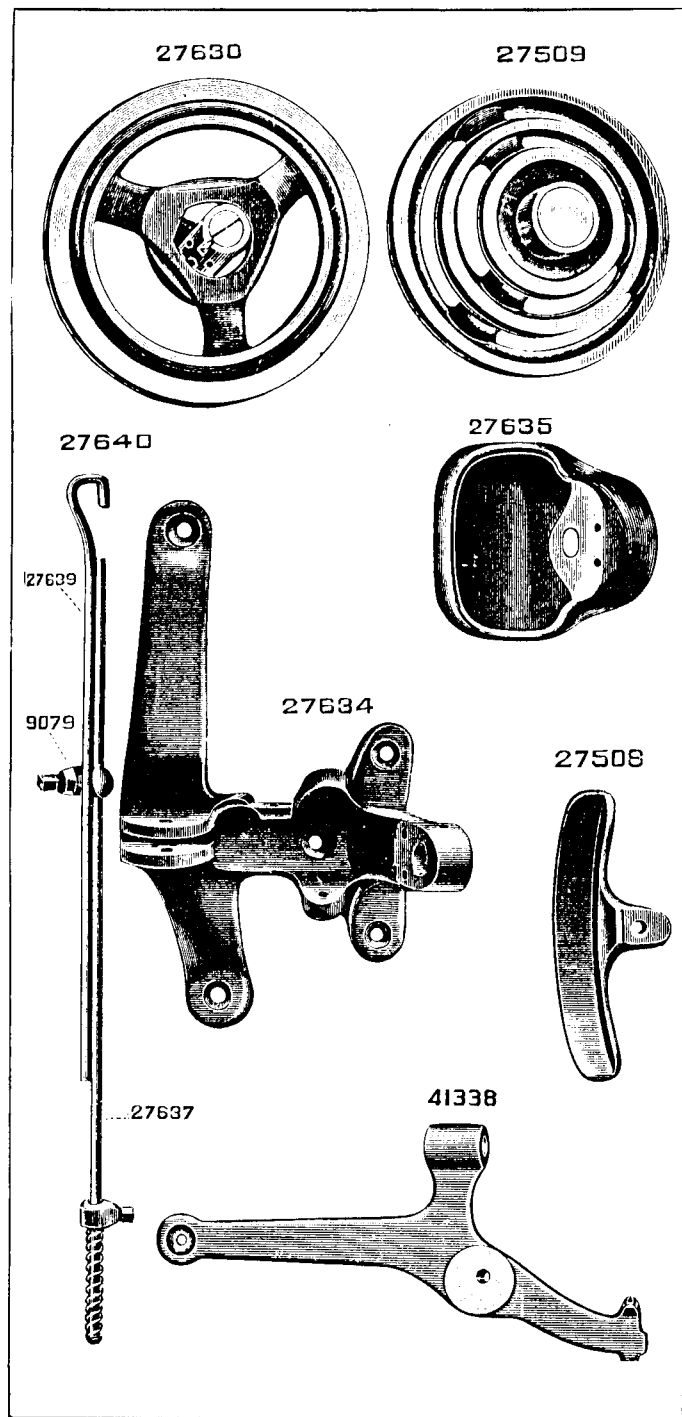


PLATE 363—ONE-FOURTH SIZE

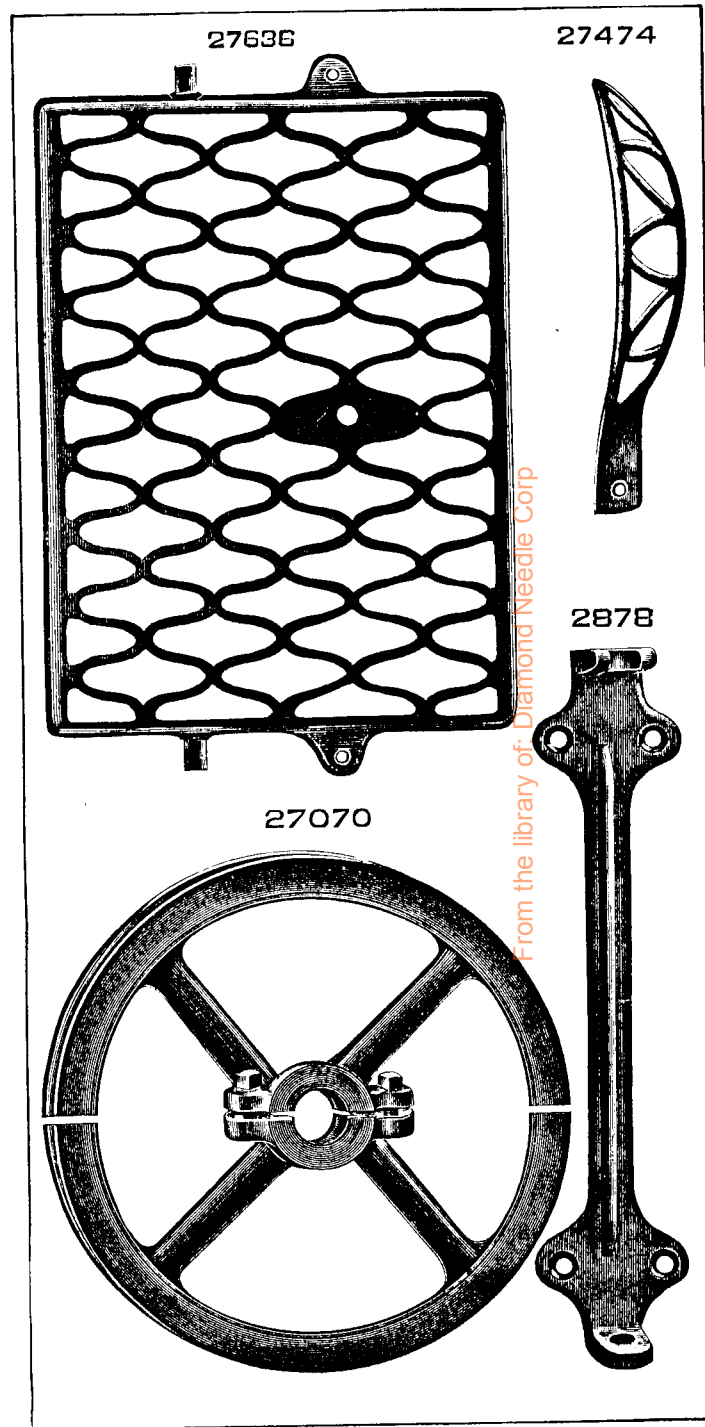


PLATE 731—ONE-HALF SIZE

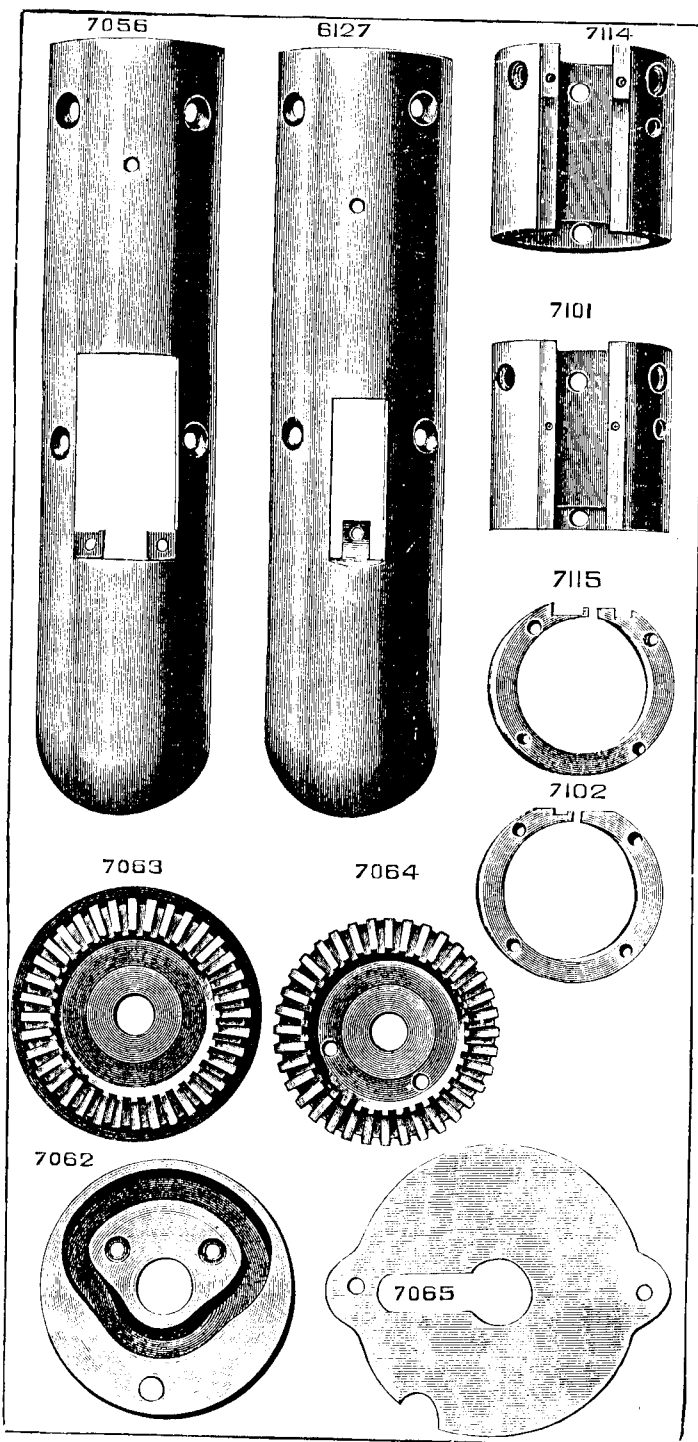


PLATE 732—ONE-HALF SIZE

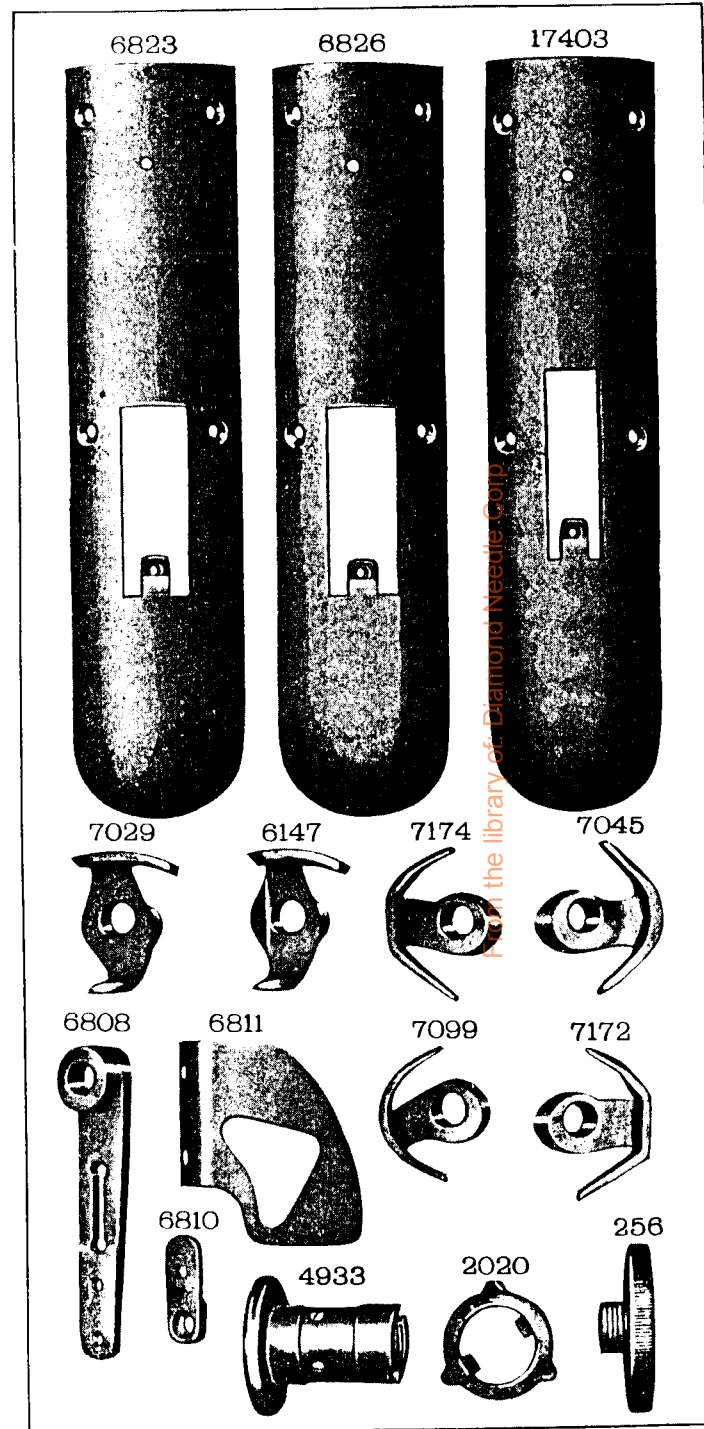


PLATE 733—FULL SIZE

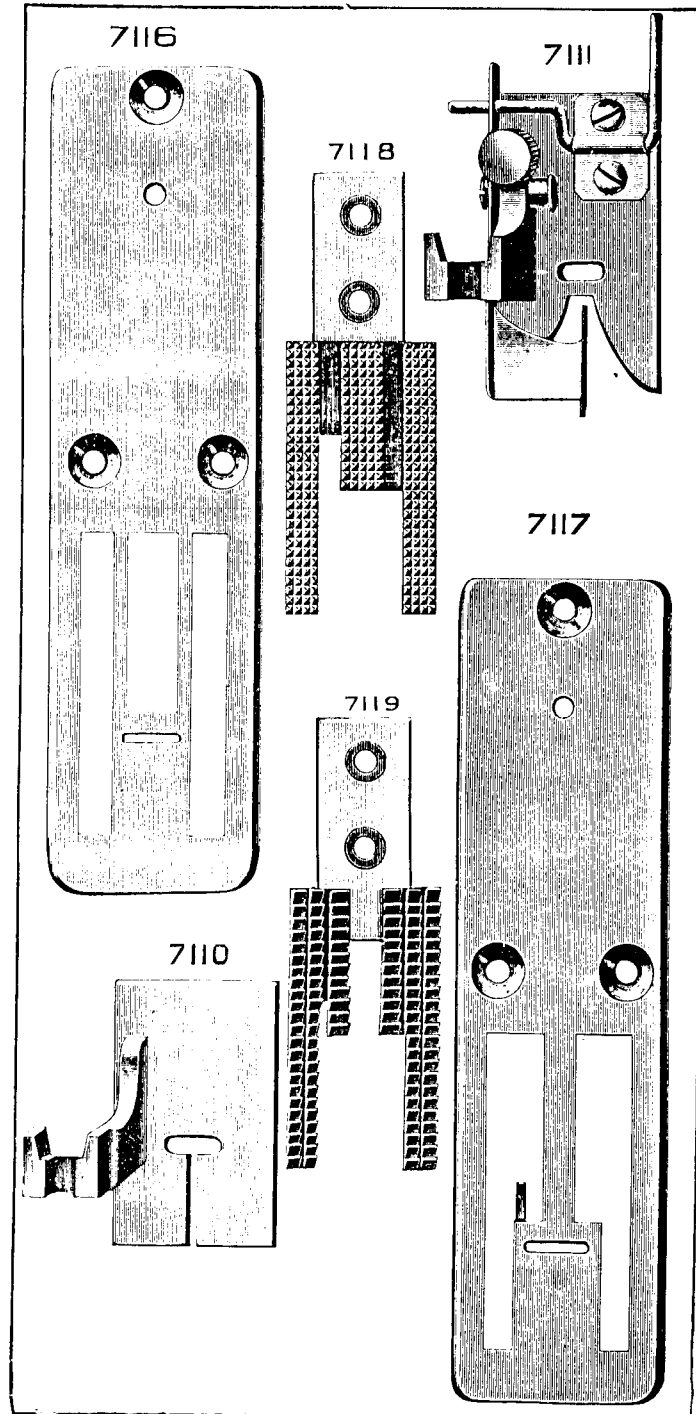


PLATE 734—FULL SIZE

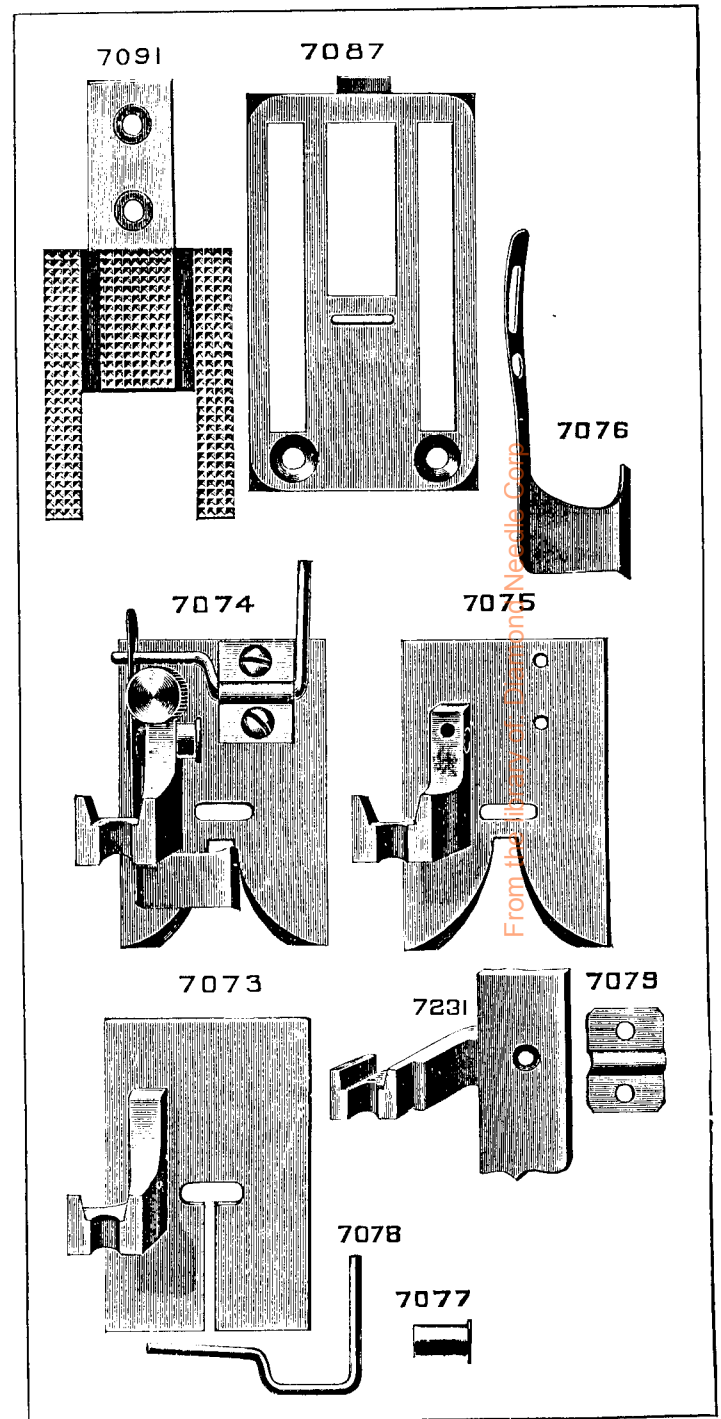


PLATE 735—FULL SIZE

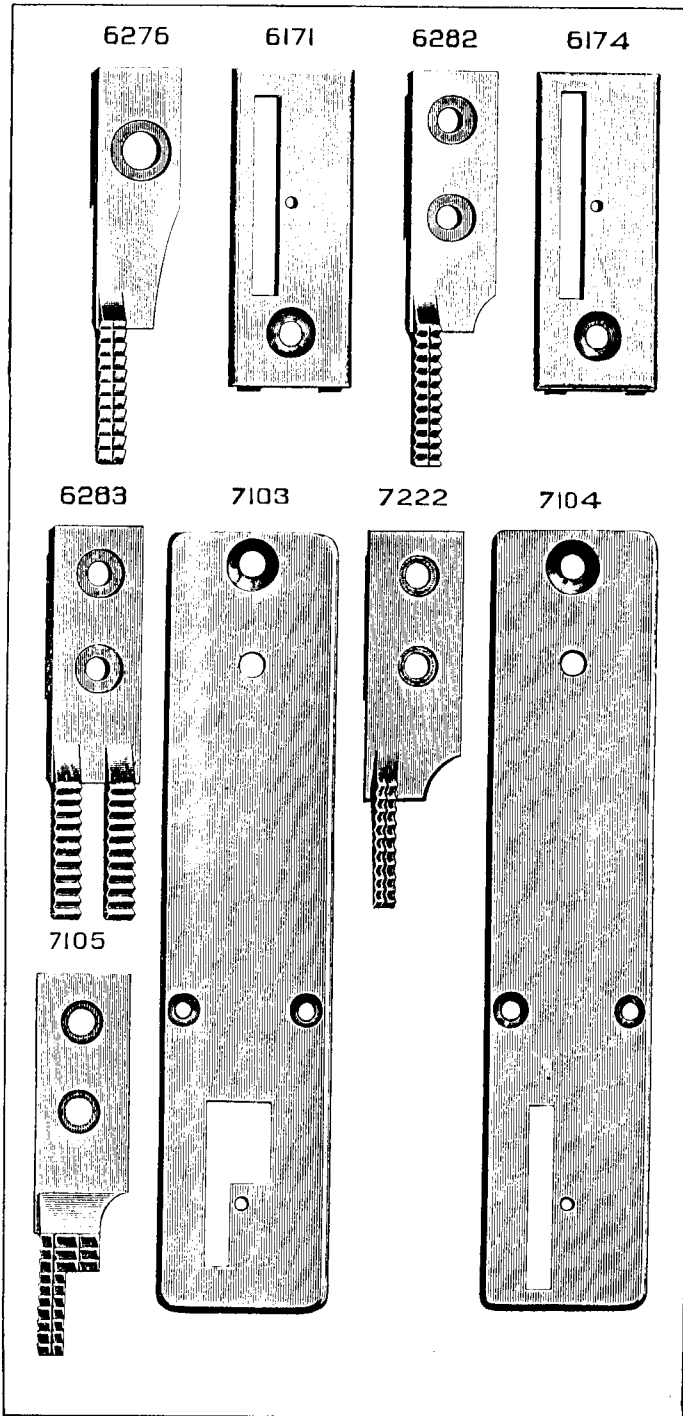


PLATE 736—FULL SIZE

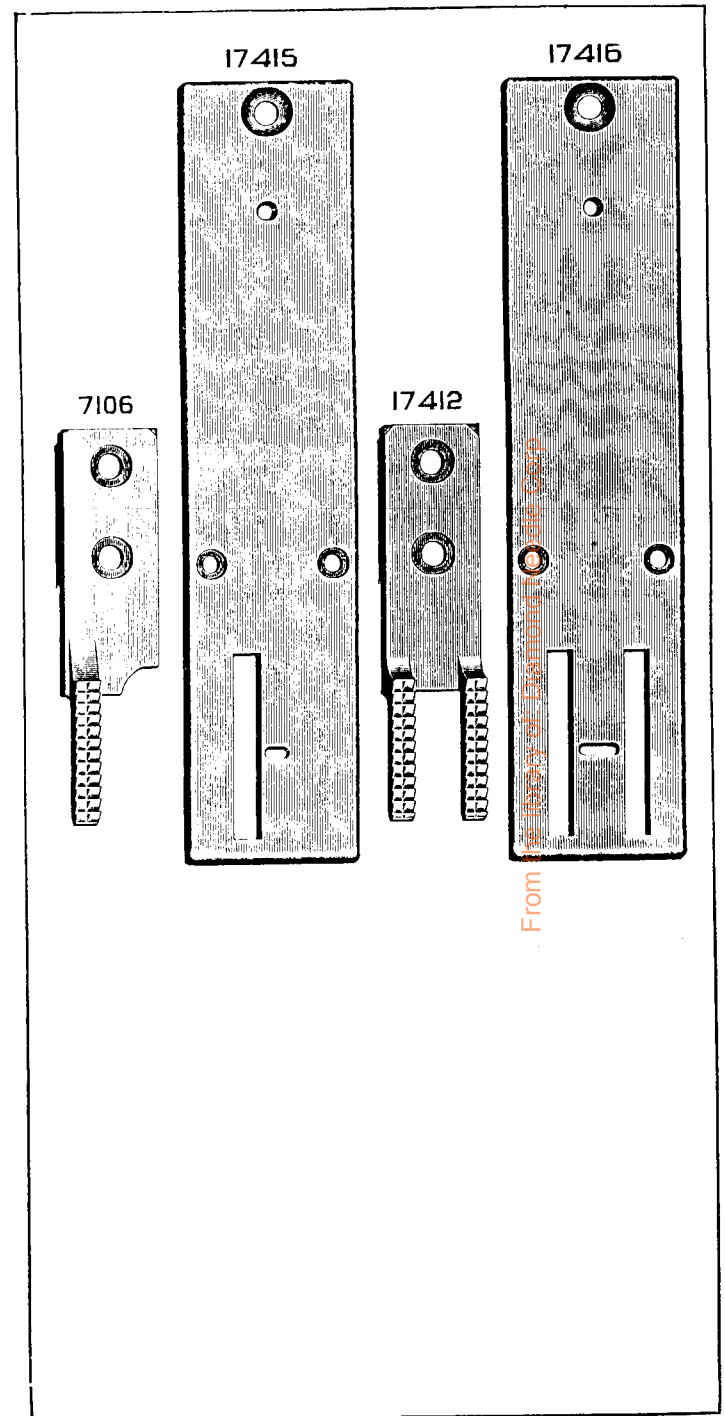


PLATE 737—ONE-HALF SIZE

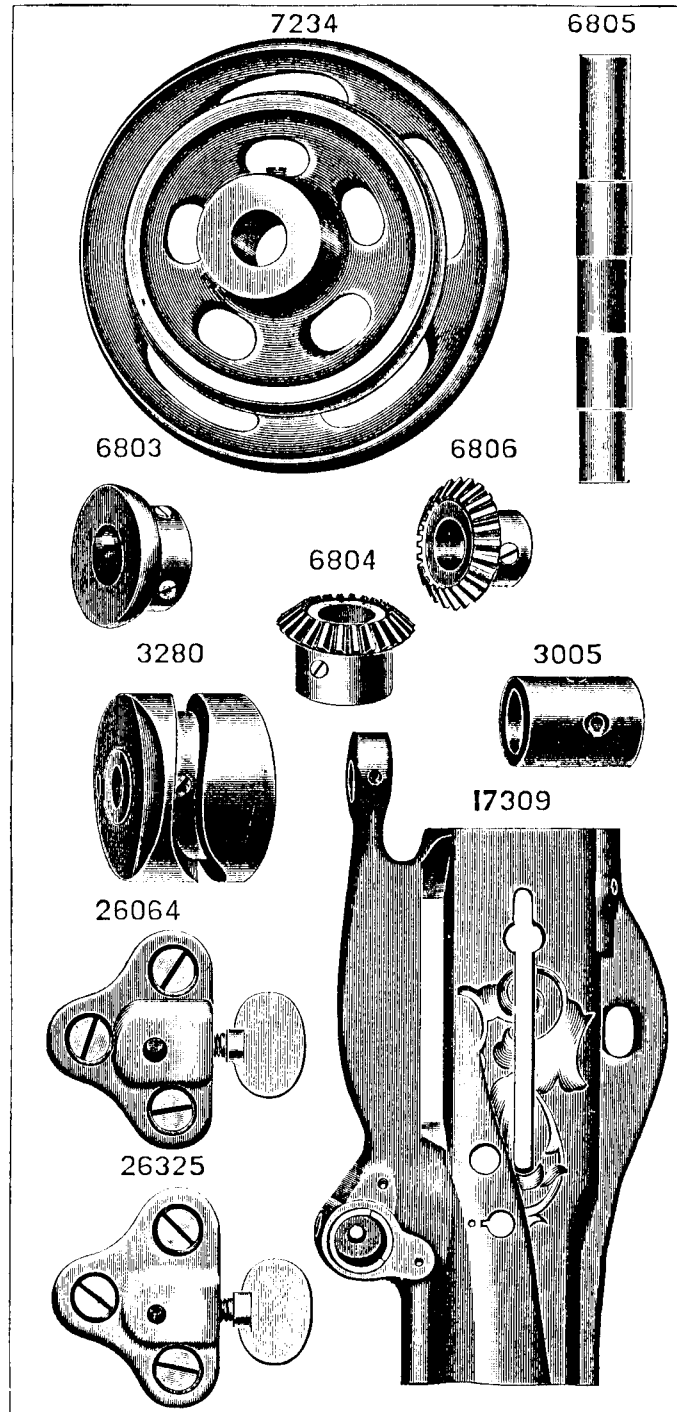


PLATE 738—ONE-HALF SIZE

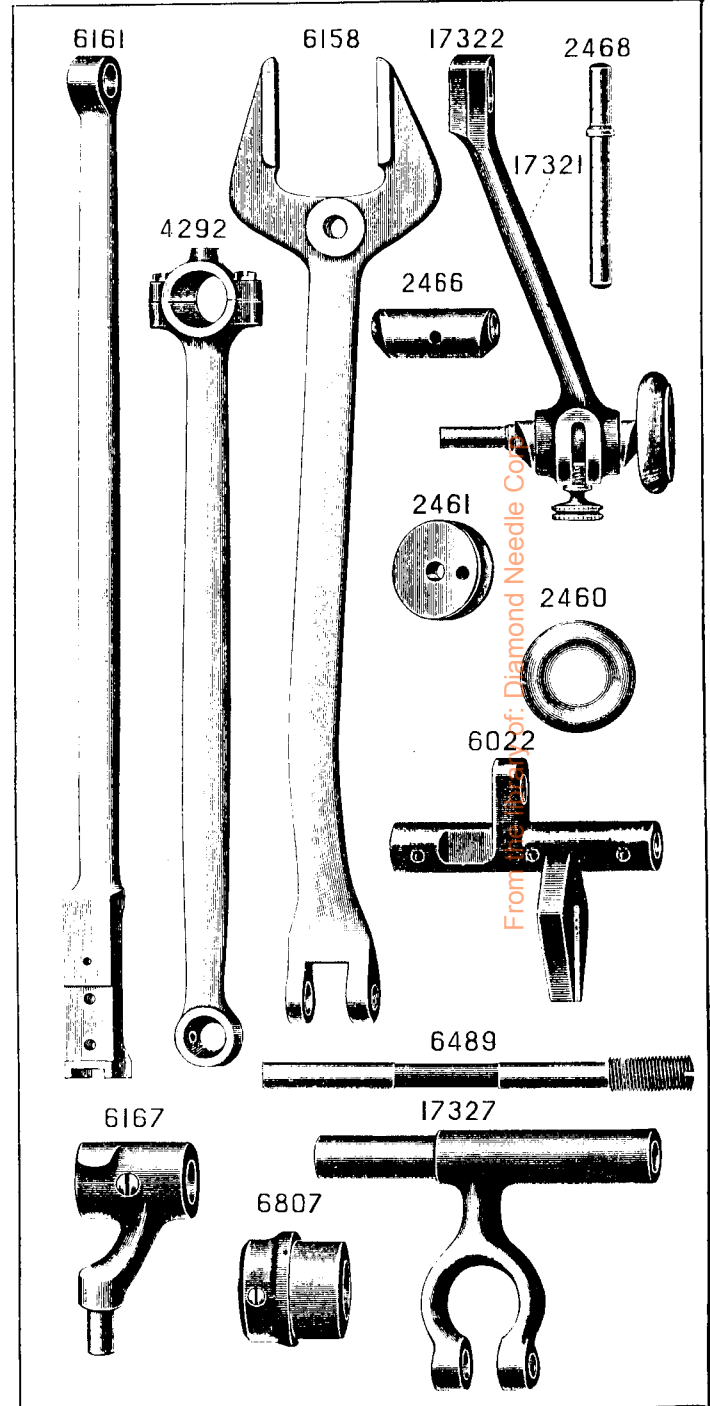


PLATE 739—ONE-HALF SIZE

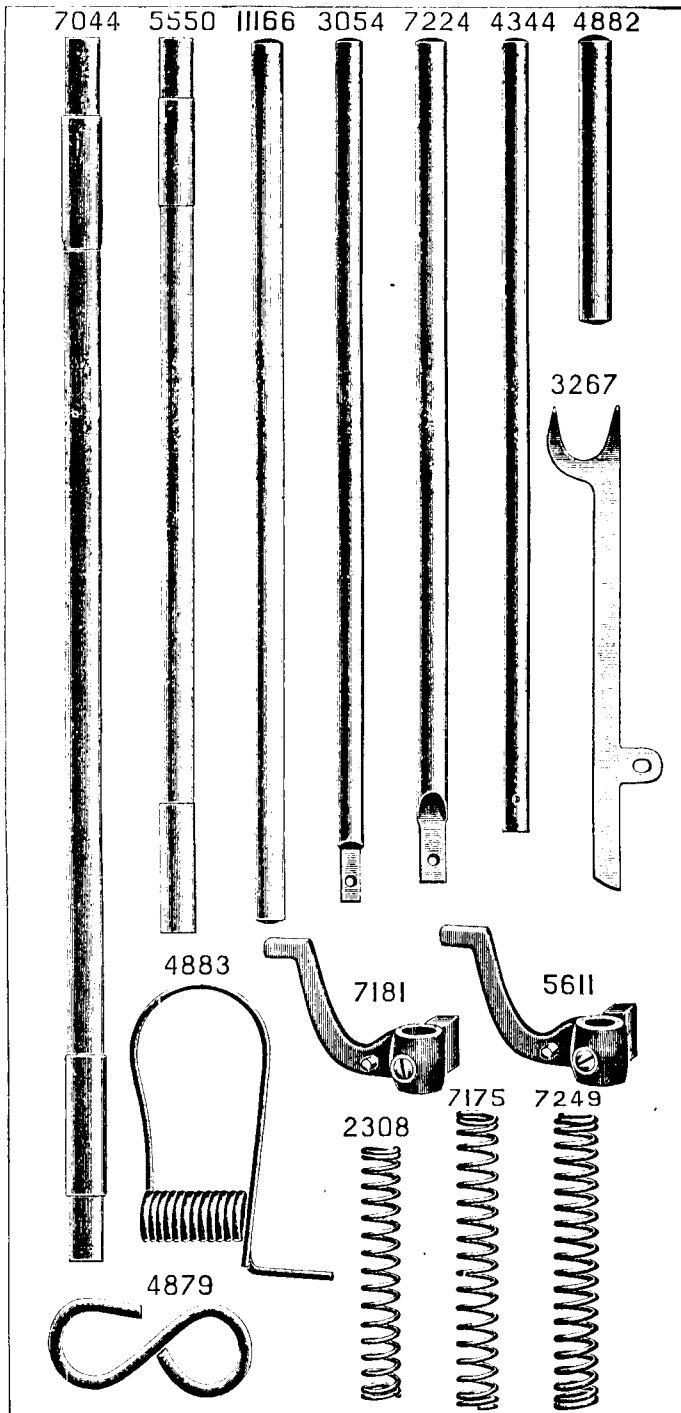


PLATE 740—ONE-HALF SIZE

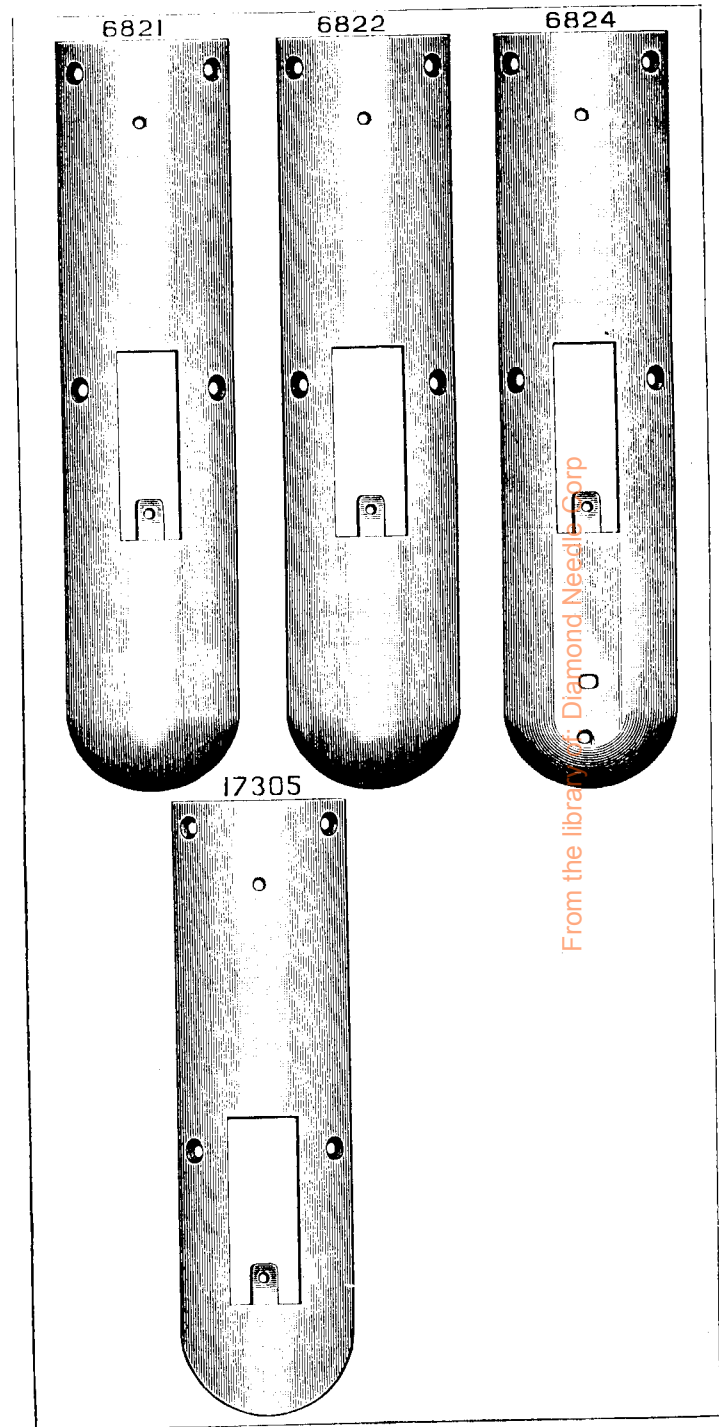


PLATE 741—ONE-HALF SIZE

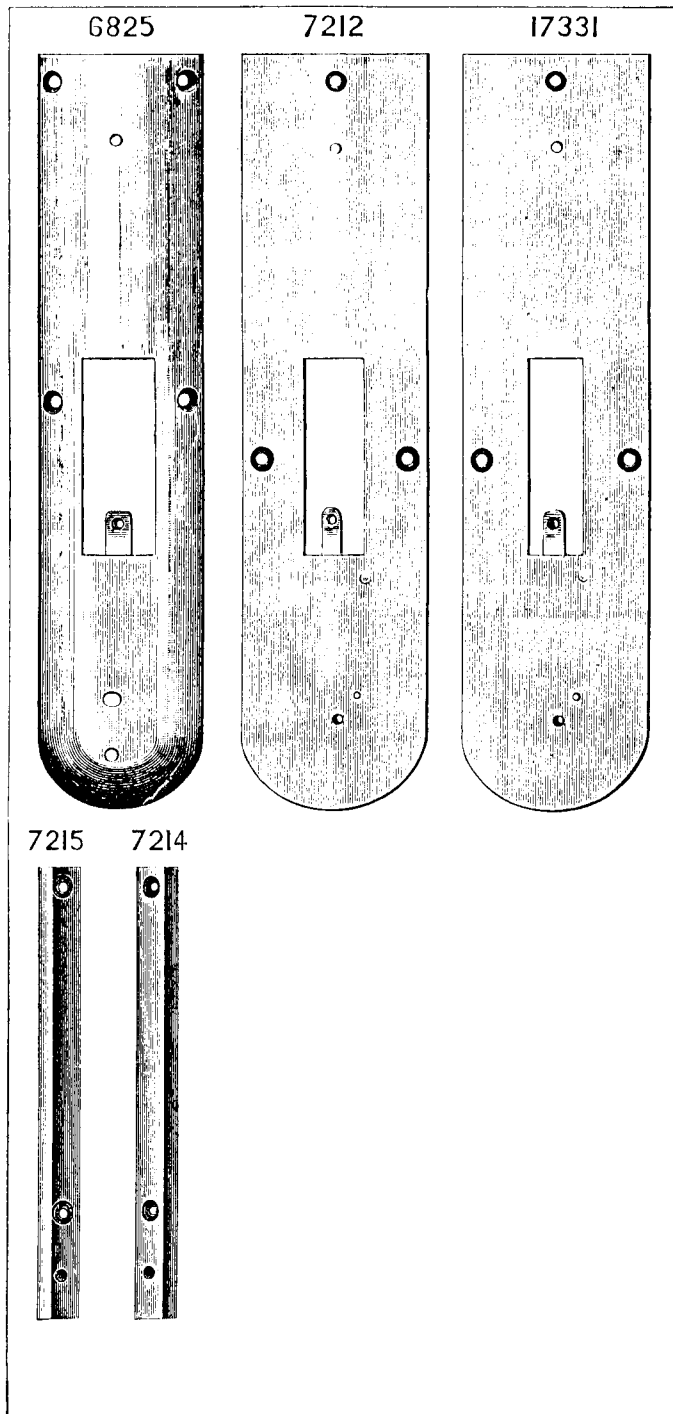


PLATE 742—FULL SIZE

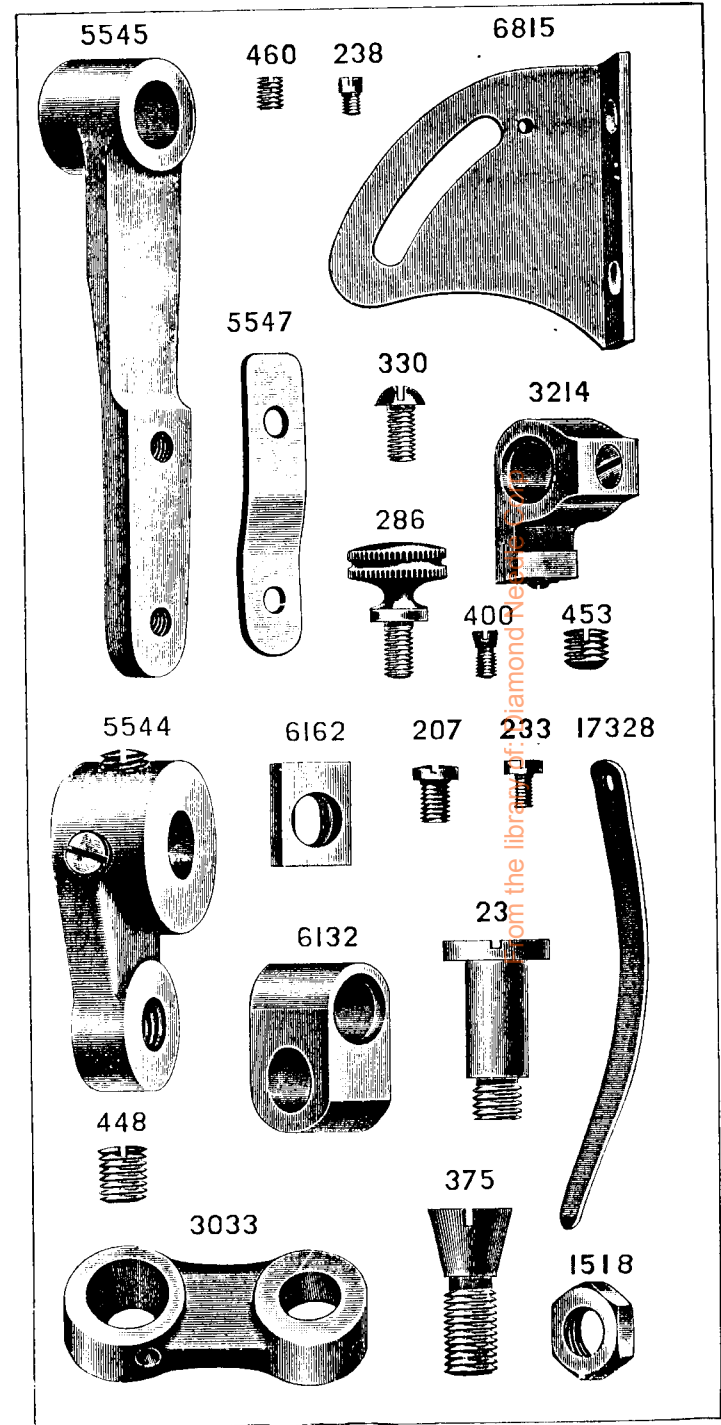


PLATE 743—FULL SIZE

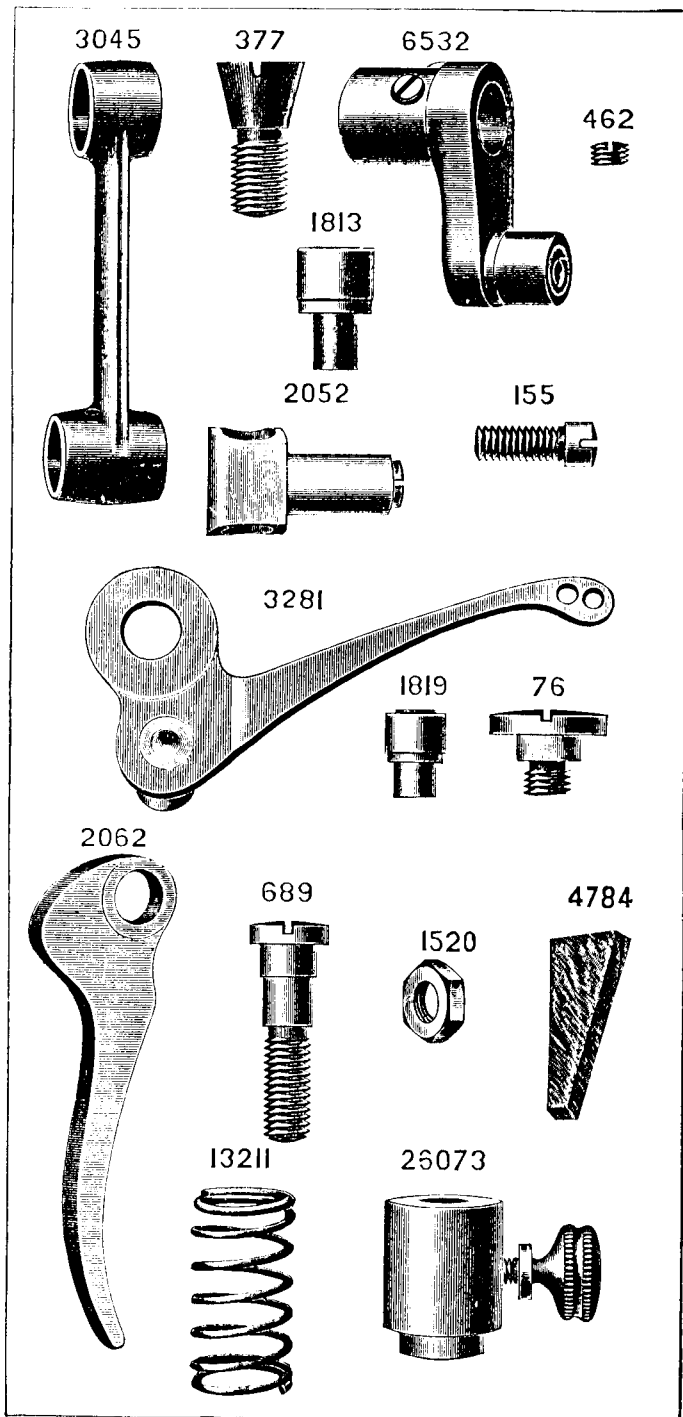


PLATE 744—FULL SIZE

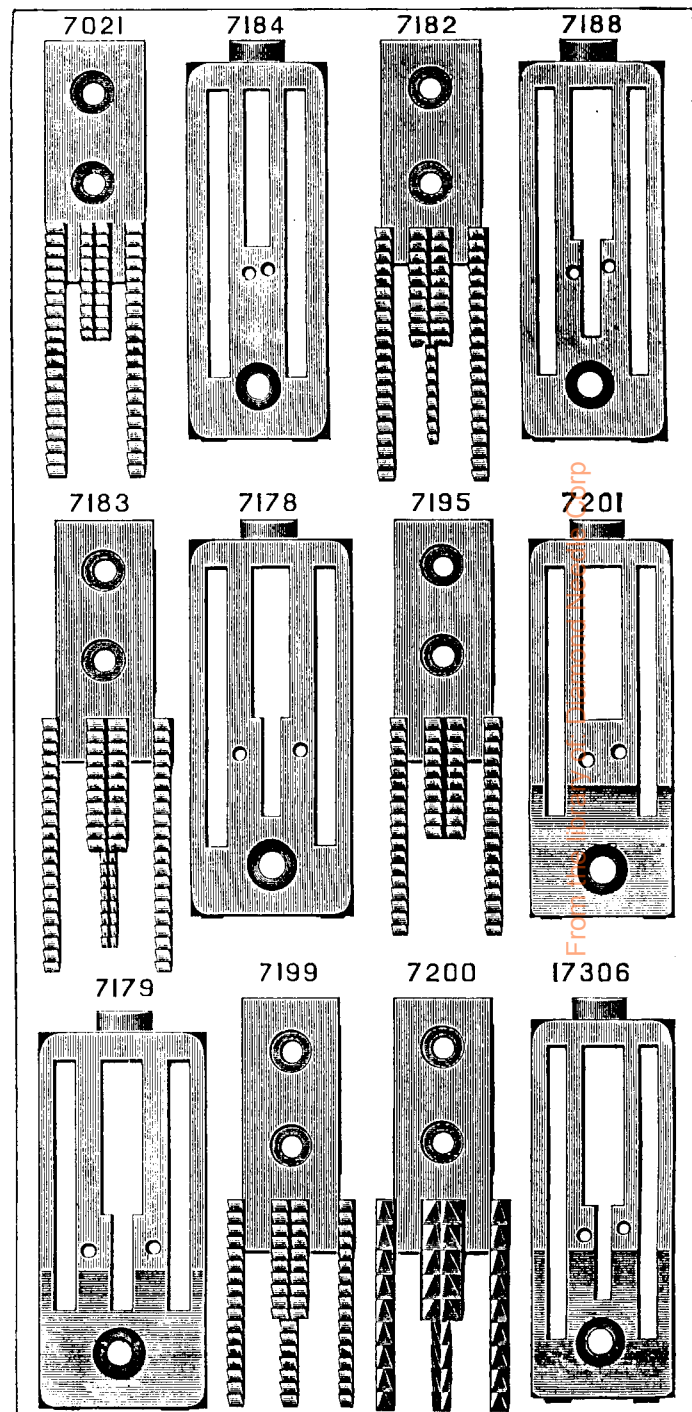


PLATE 745—FULL SIZE

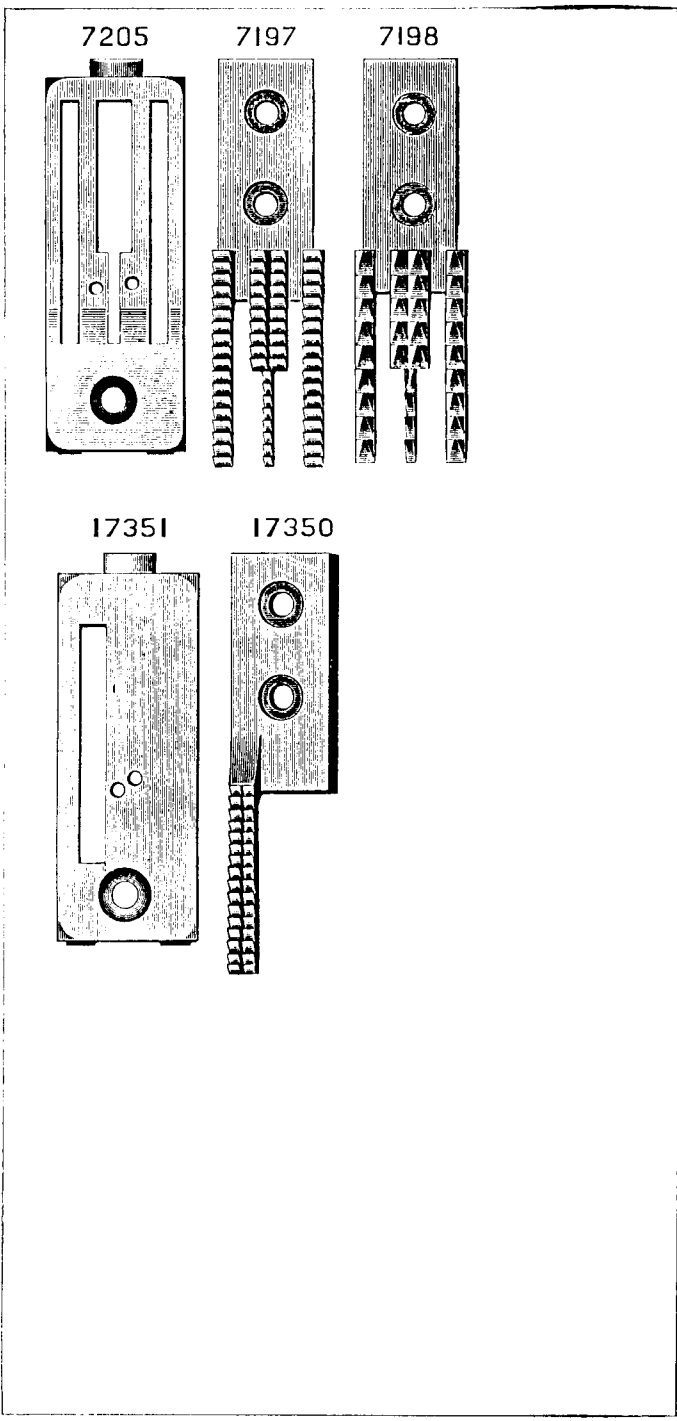
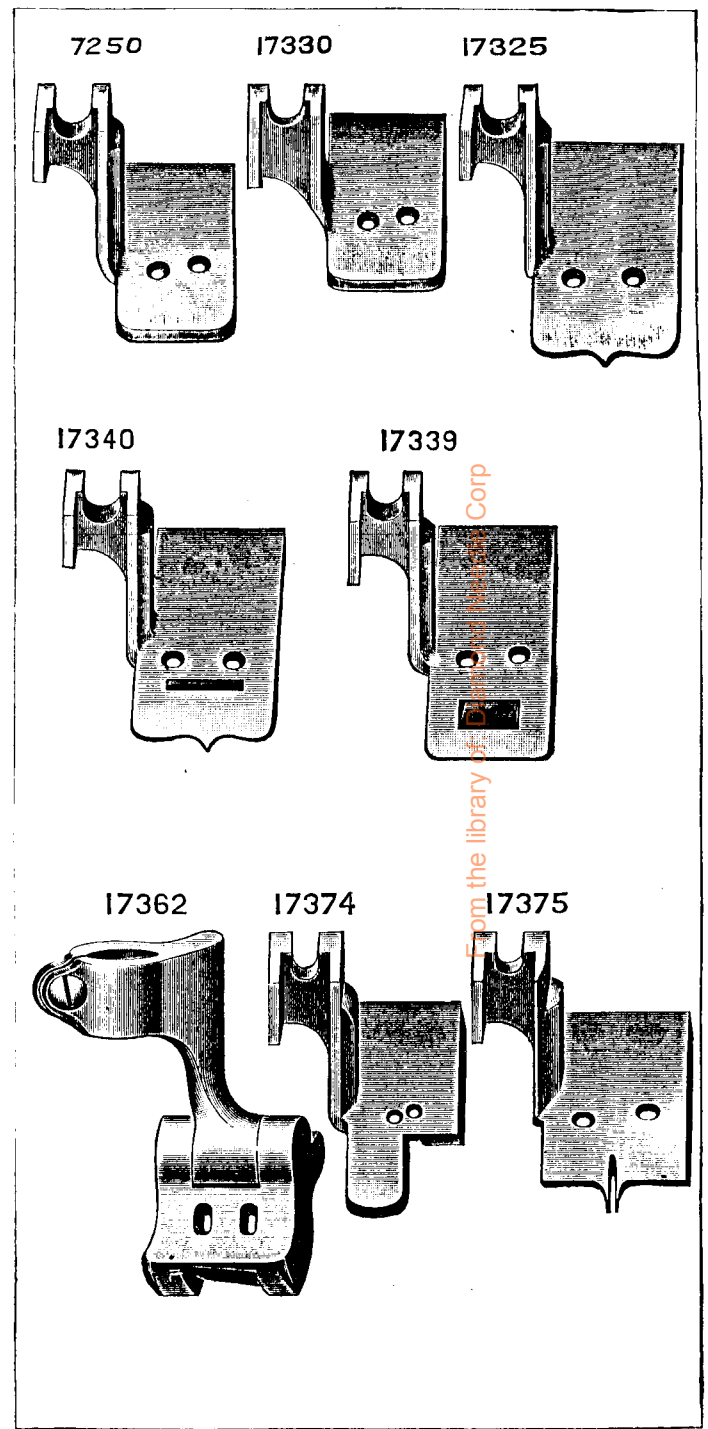


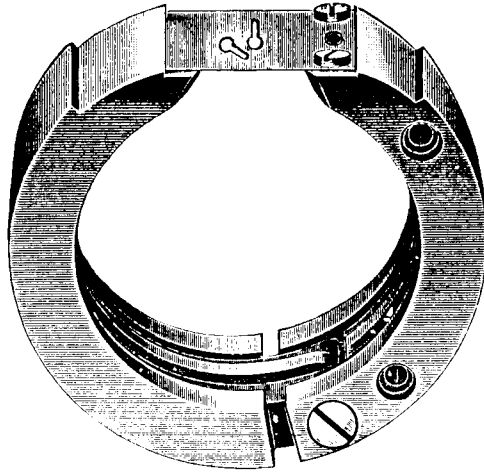
PLATE 746—FULL SIZE



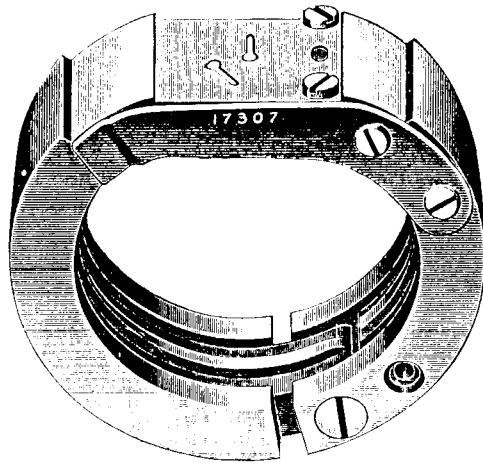
From the library of [Digital Research Corp](#)

PLATE 747—FULL SIZE

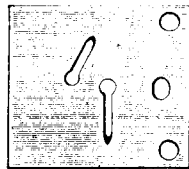
7139



17308



7159



7154

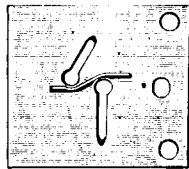


PLATE 748—FULL SIZE

4448 3012 6166 2117 2049 2273 5613 2106



2107



2070



11170



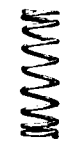
2455



6223



6224



27303



10141



Fairbanks Diamond Needle Corp

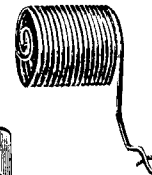
2103



17329



2248



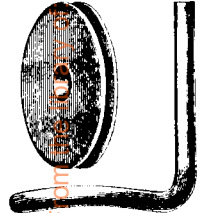
2411



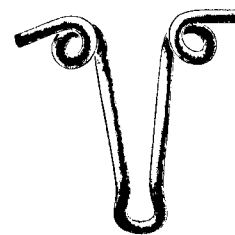
2410



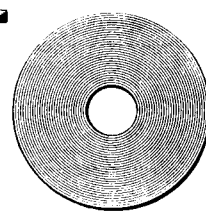
2105



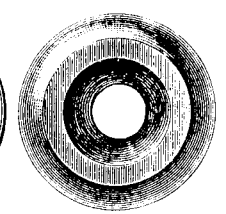
4377



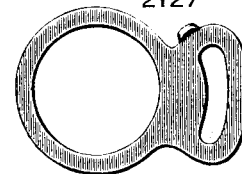
6055



2102



2127



2022



2269



11740



11193



26092



PLATE 749—FULL SIZE

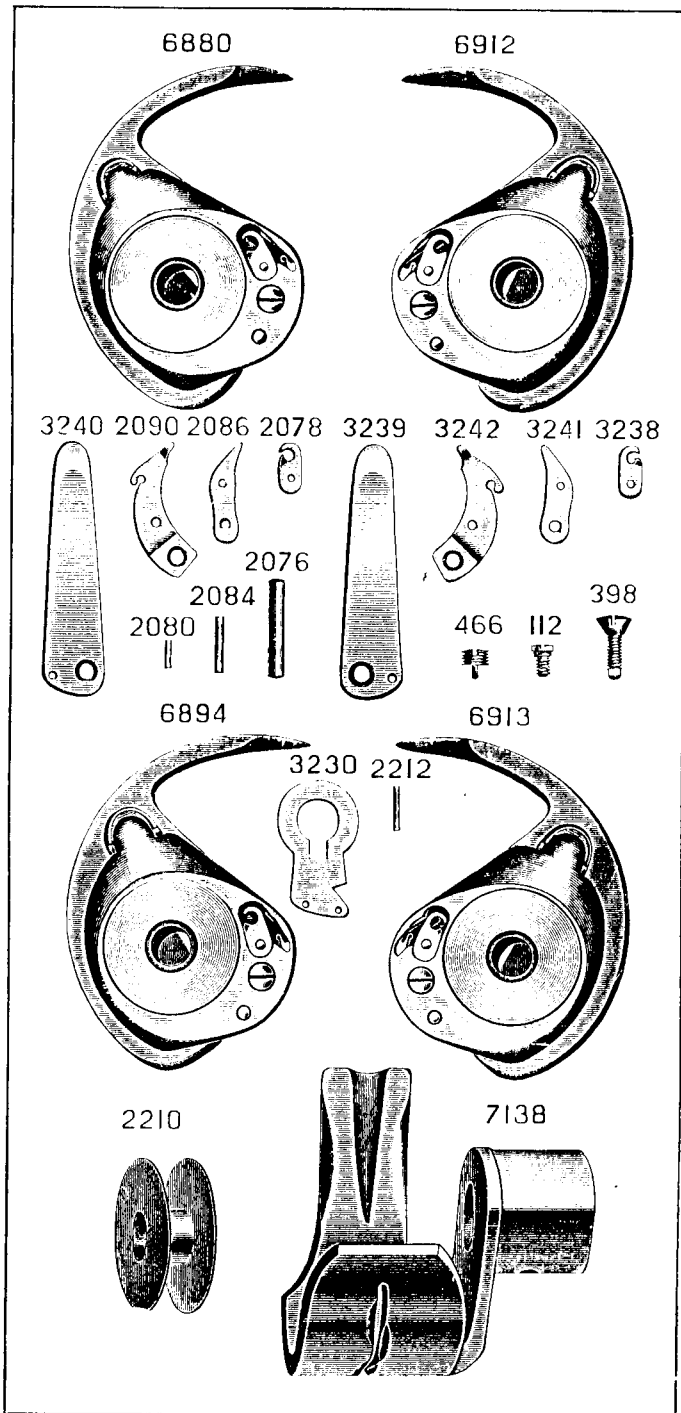
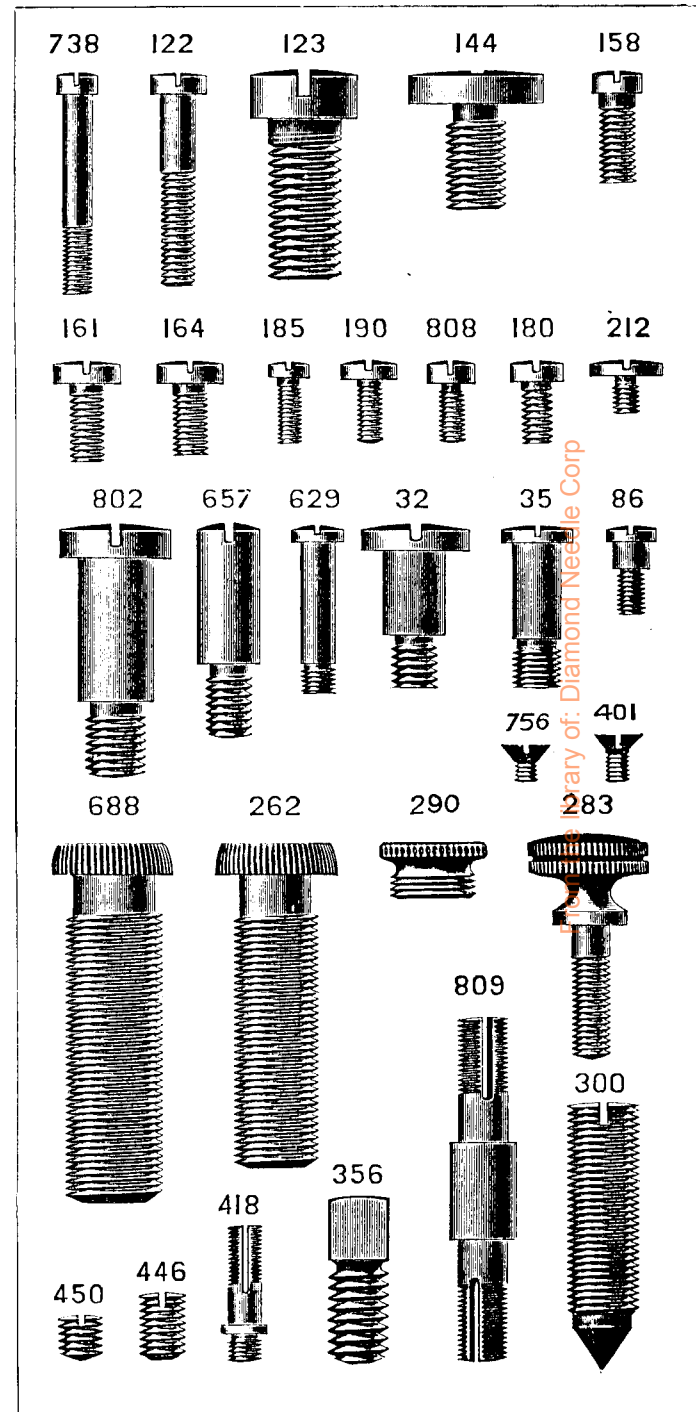


PLATE 750—FULL SIZE



Copyright of: Diamond Needle Corp

PLATE 967—FULL SIZE

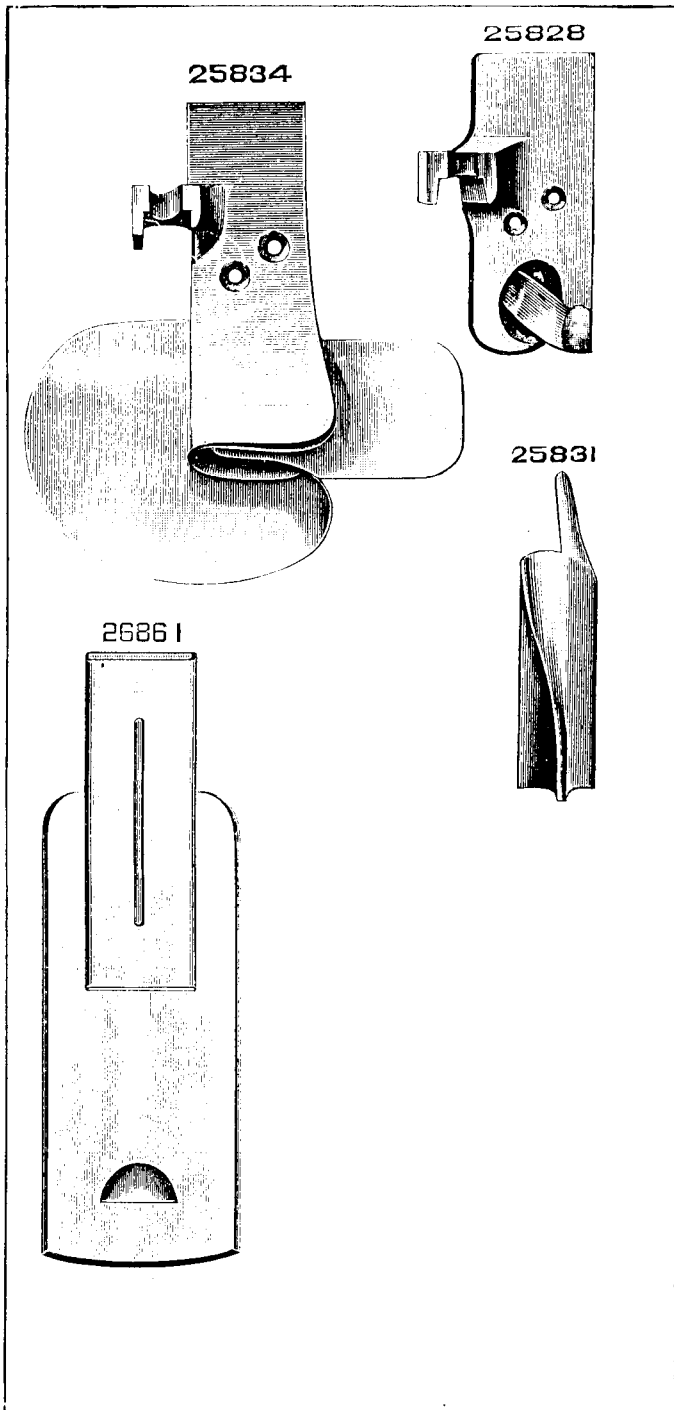


PLATE 968—FULL SIZE

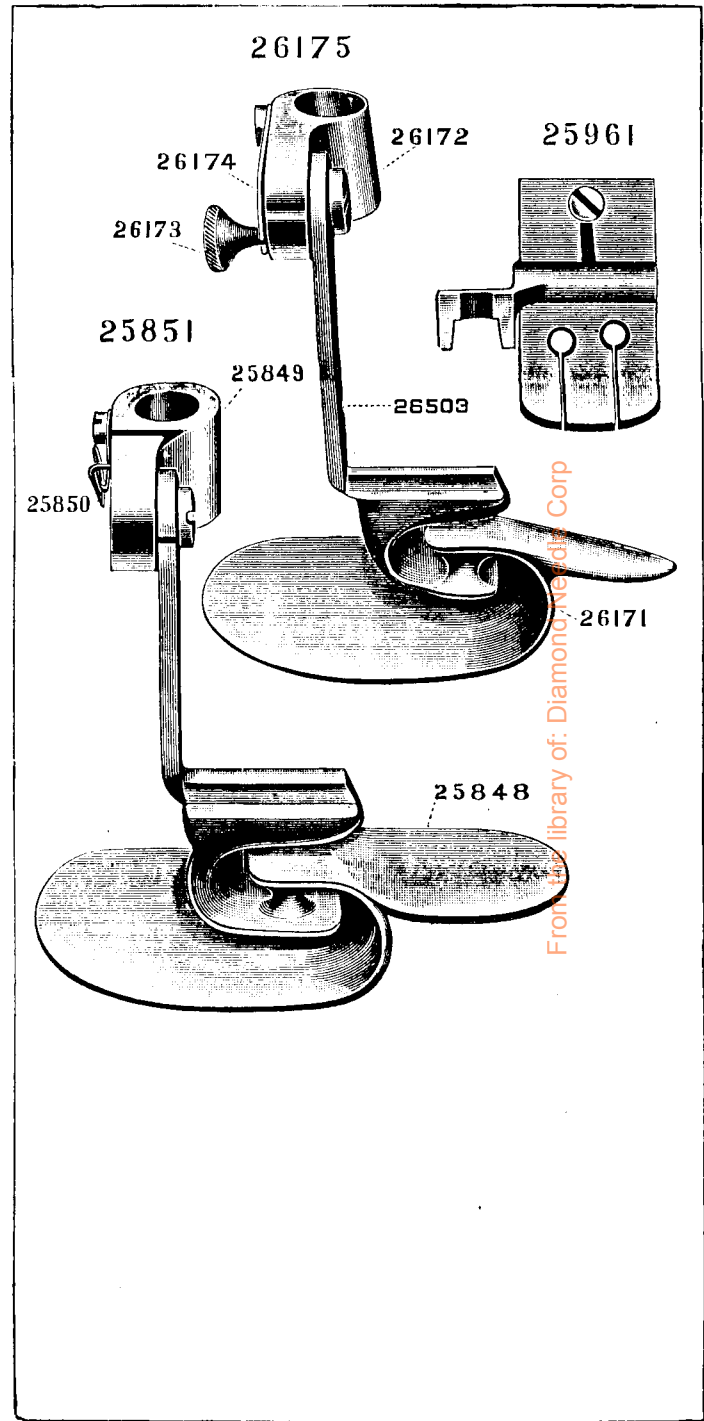


PLATE 989—ONE-FOURTH SIZE

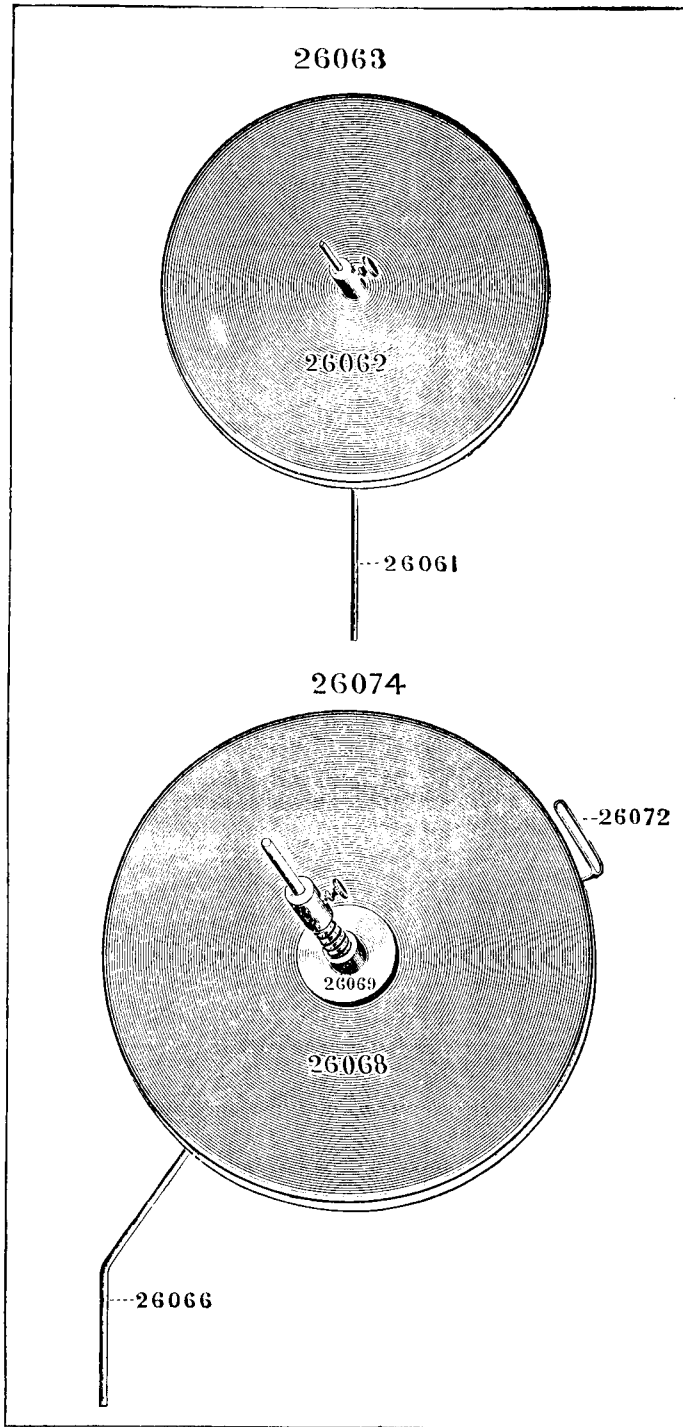


PLATE 1101—FULL SIZE

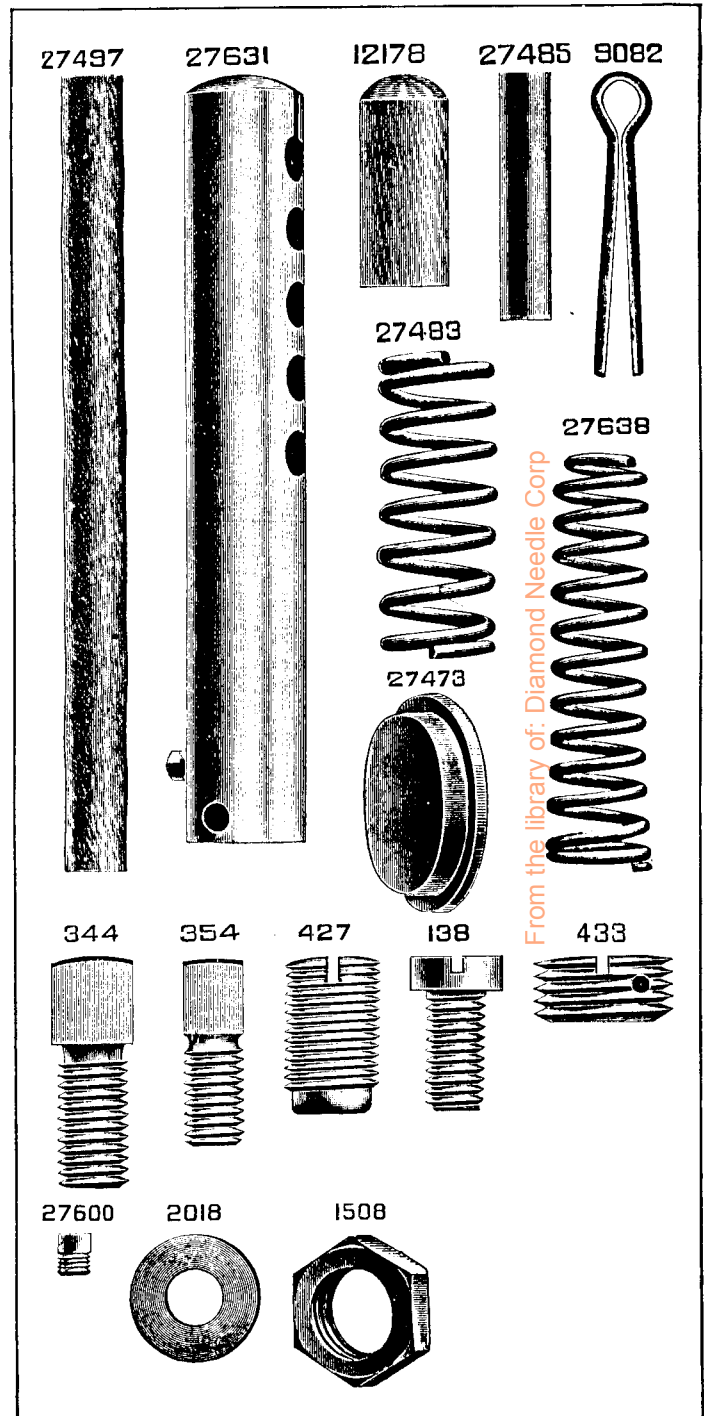


PLATE 1700 - FULL SIZE

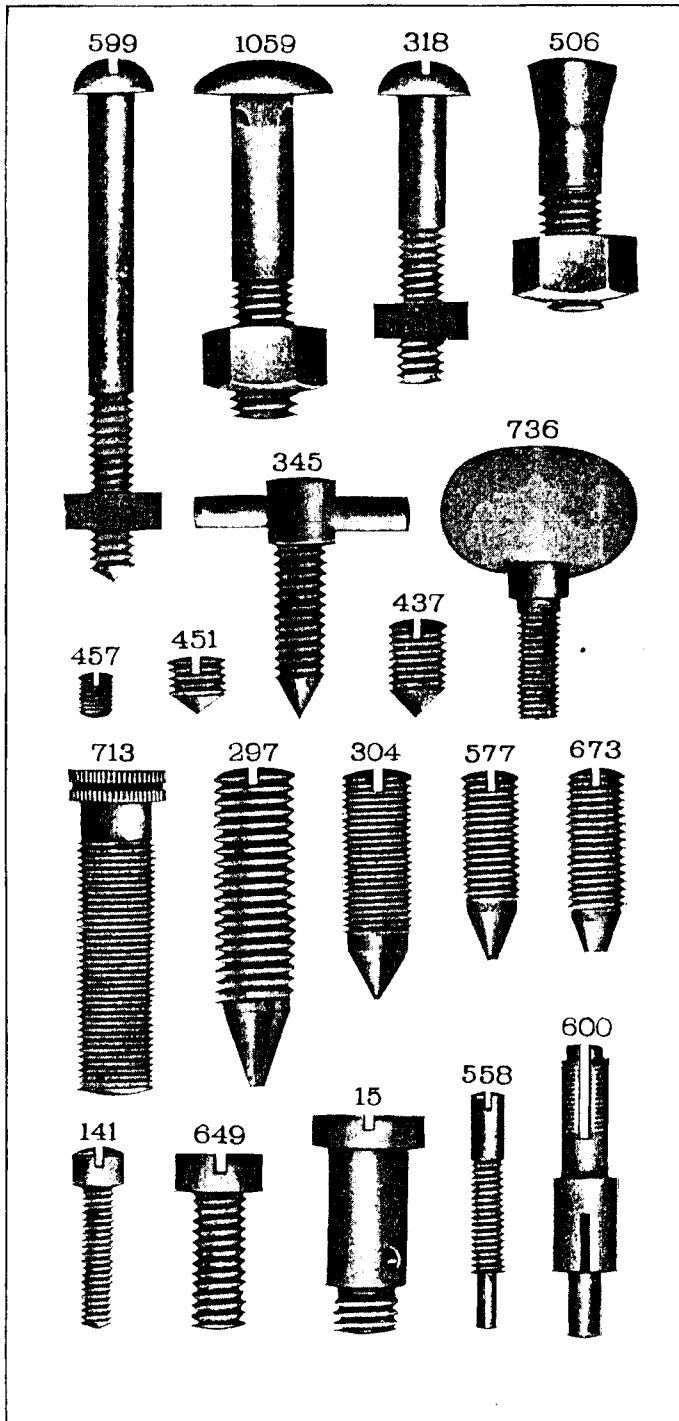


PLATE 1701 - FULL SIZE

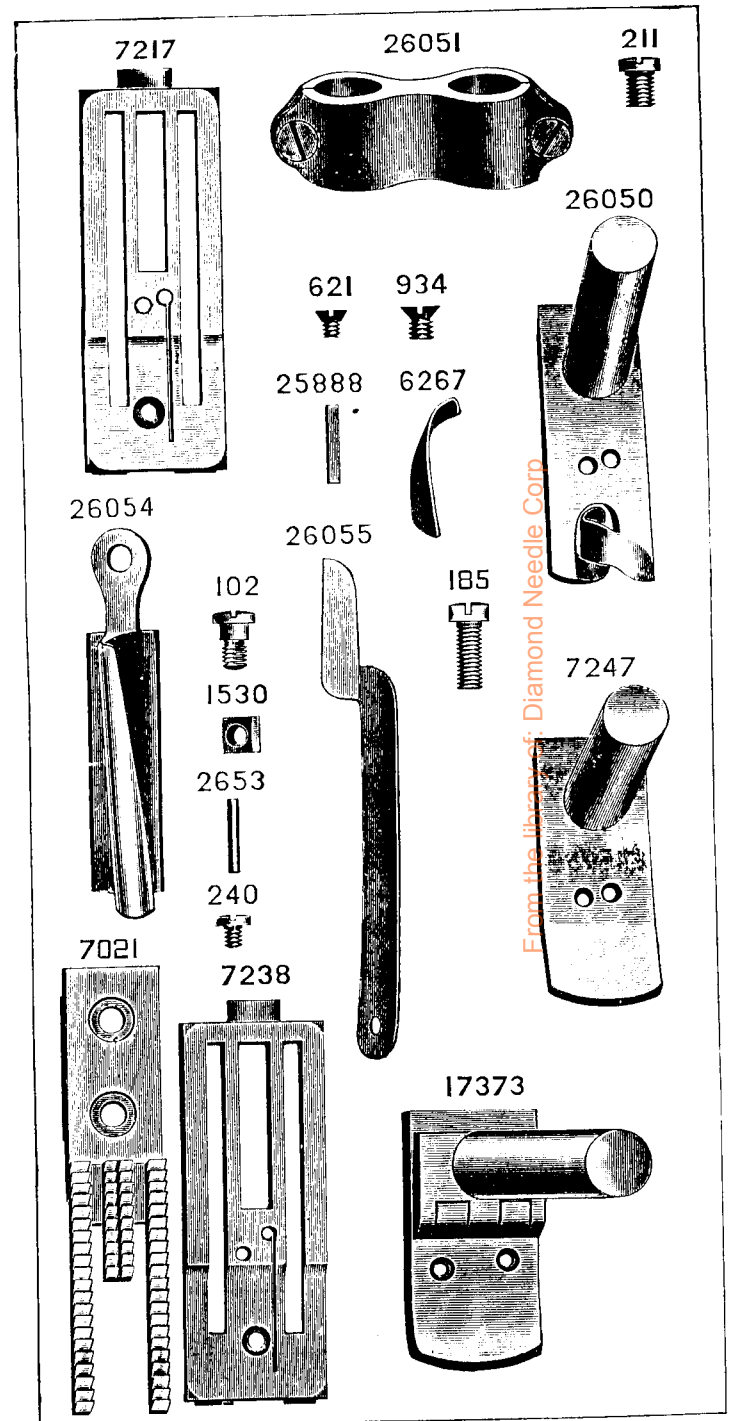


PLATE 1702—FULL SIZE

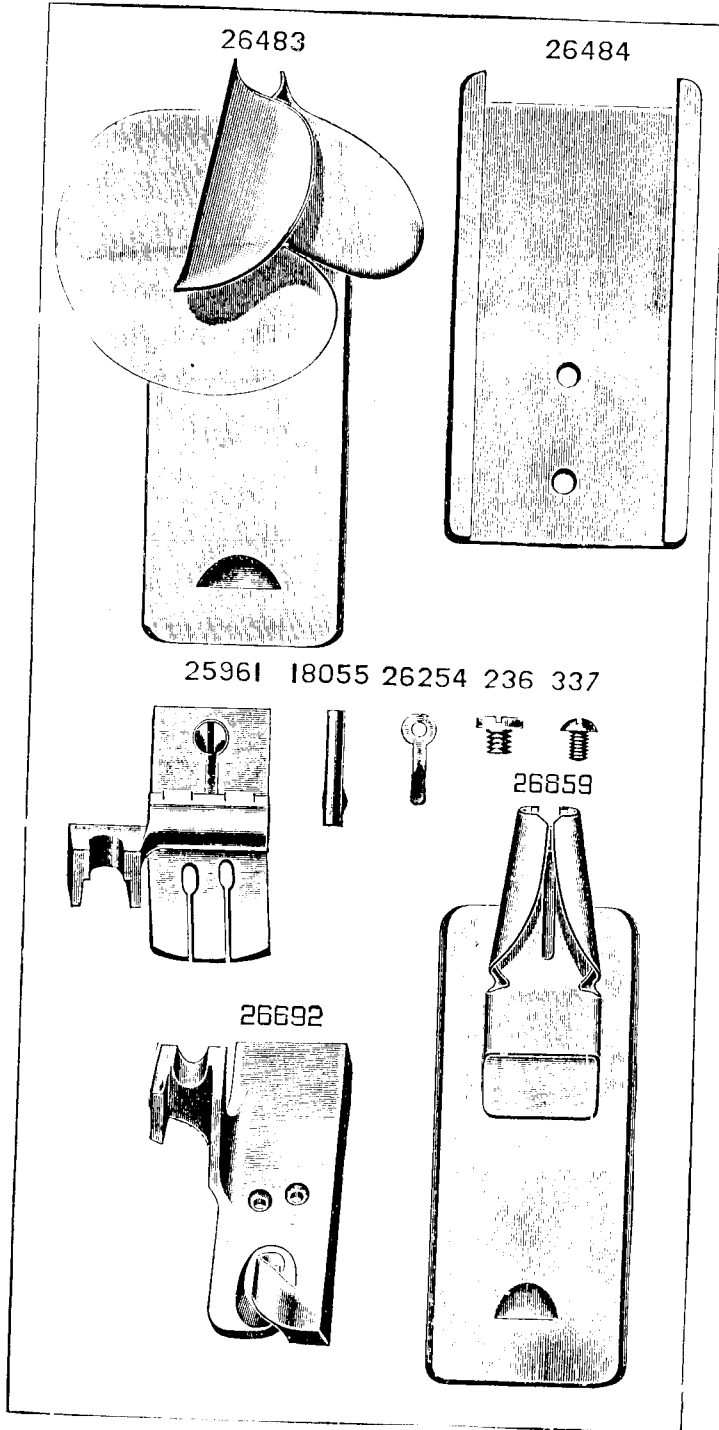


PLATE 1703—ONE-HALF SIZE

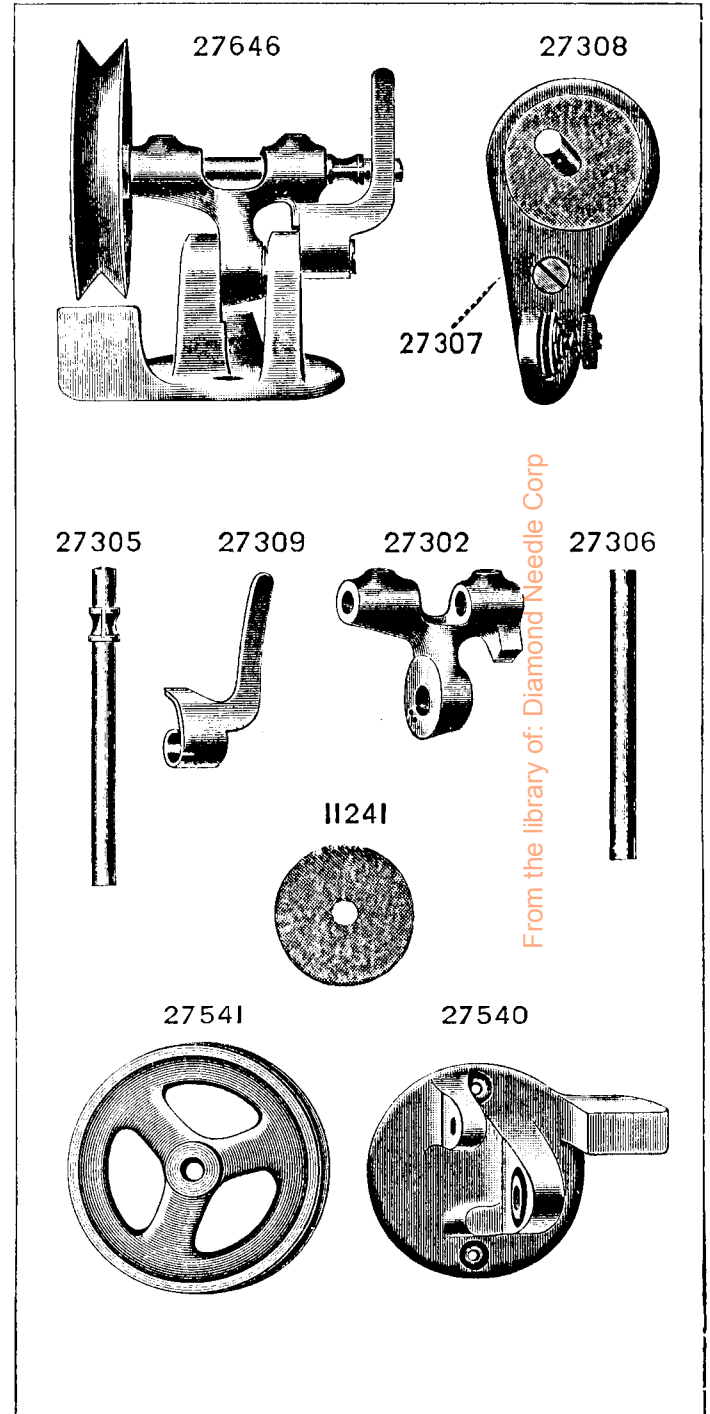


PLATE 1704—ONE-HALF SIZE

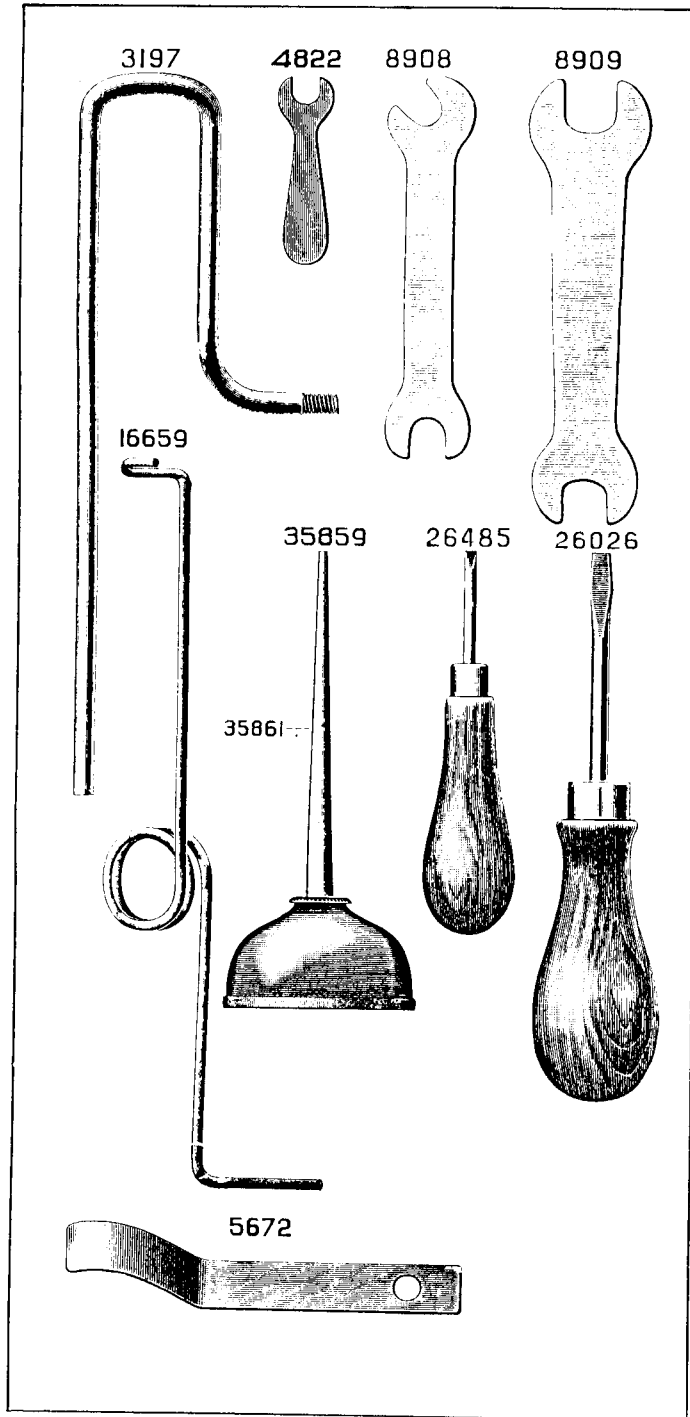


PLATE 1705—ONE-FOURTH SIZE

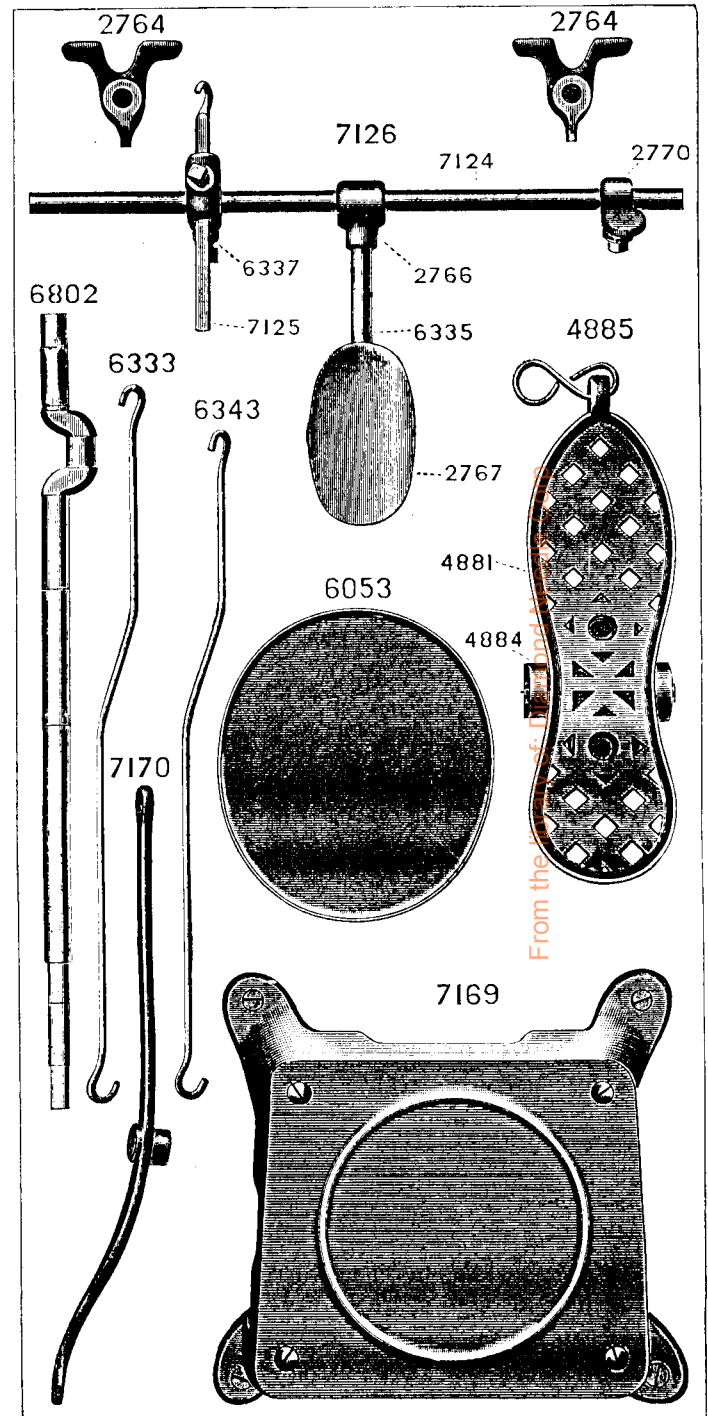


PLATE 1706—ONE-HALF SIZE

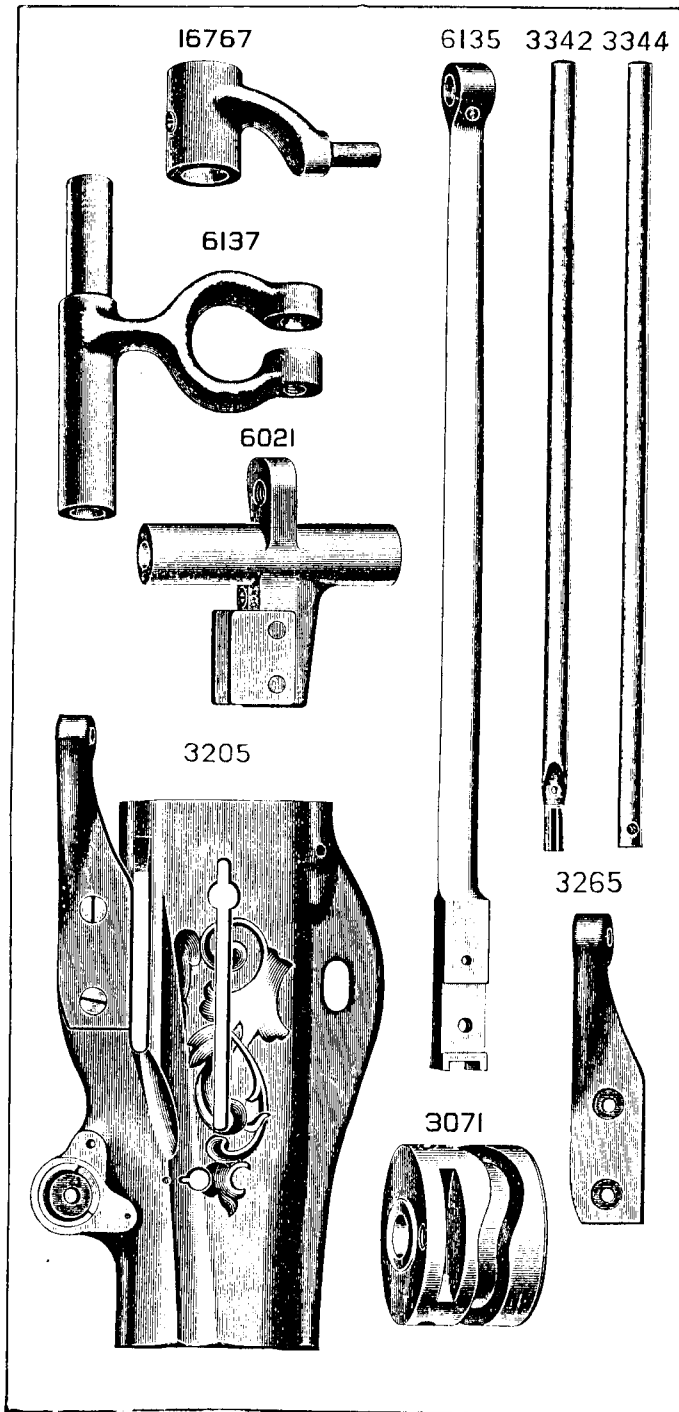


PLATE 1707—FULL SIZE

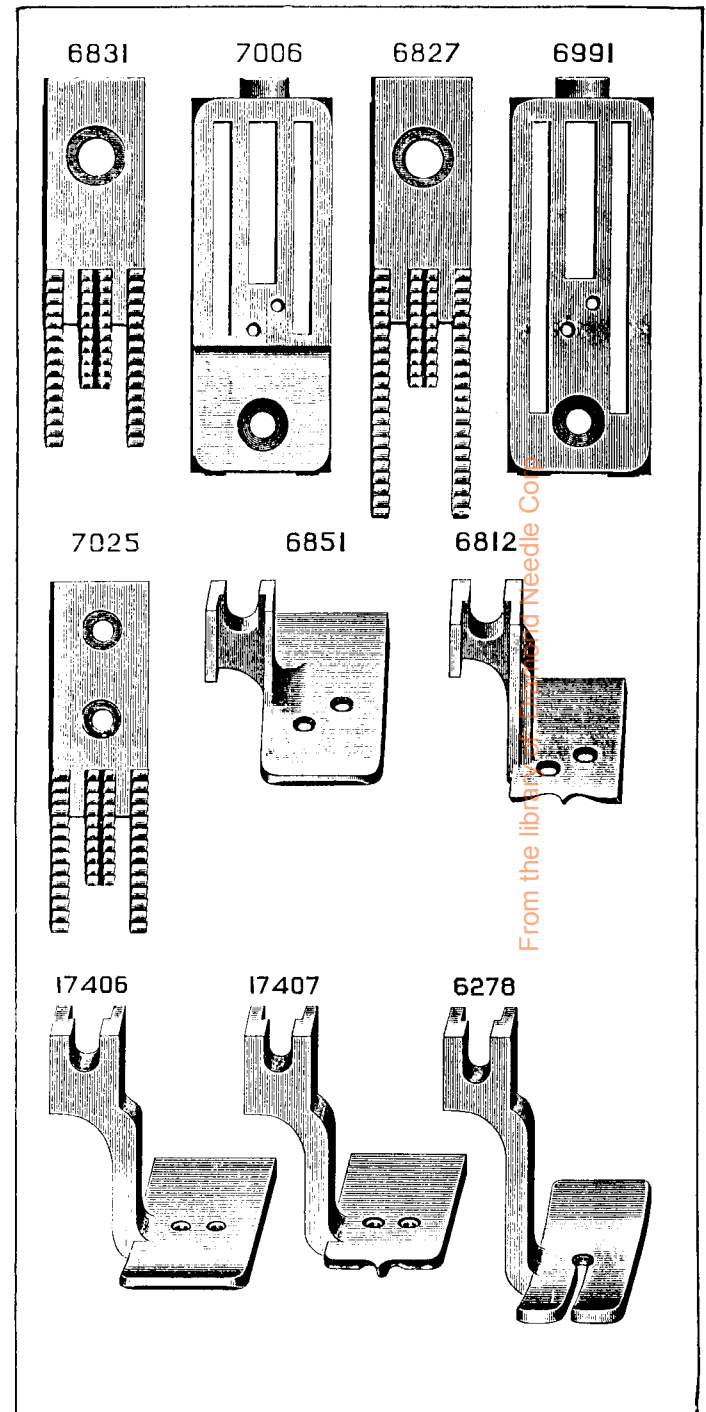


PLATE 1708—FULL SIZE

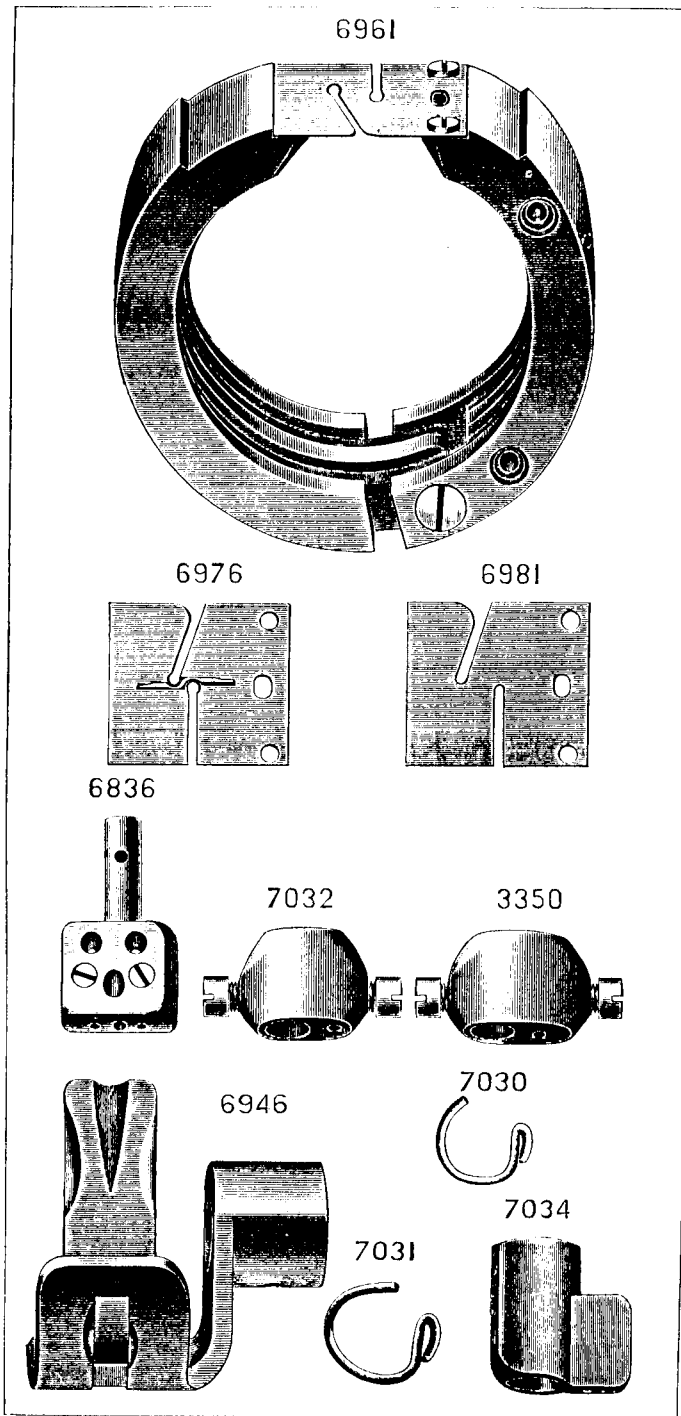


PLATE 1709—ONE-FOURTH SIZE

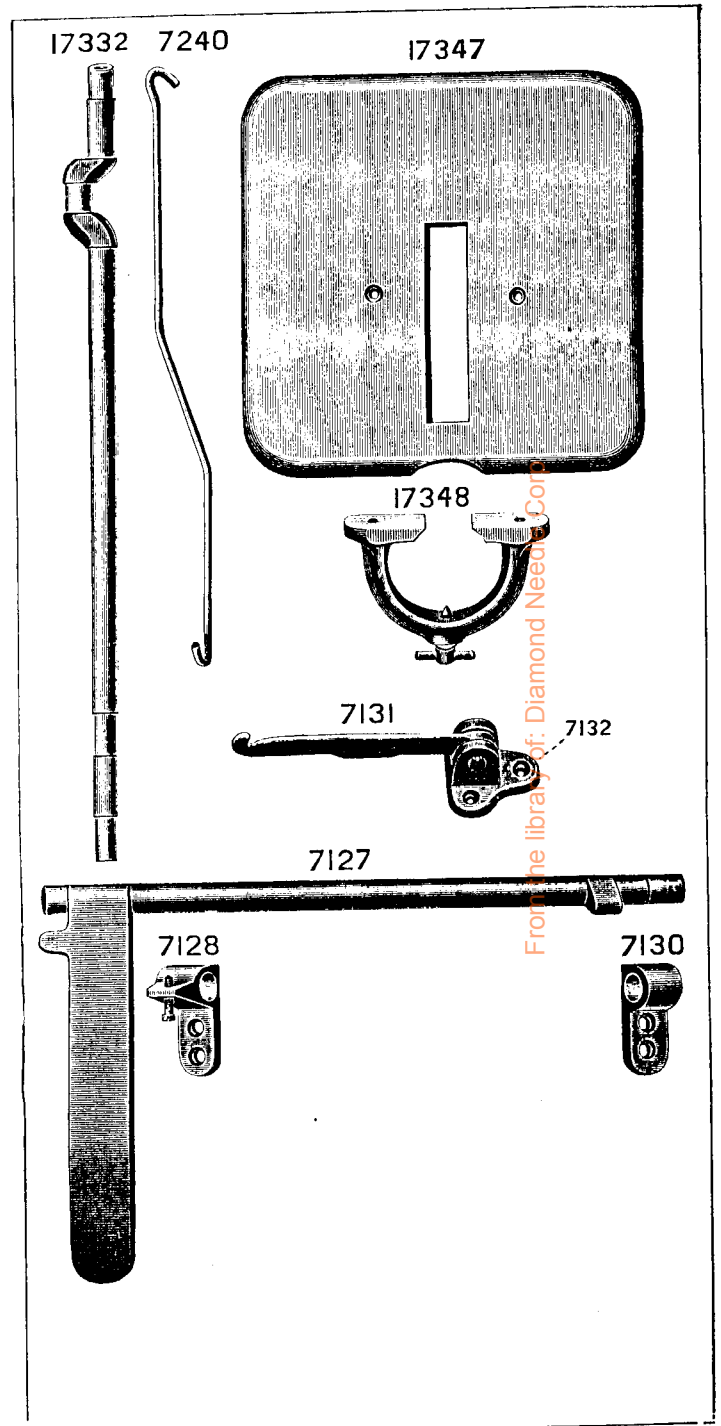


PLATE 1710—ONE-HALF SIZE

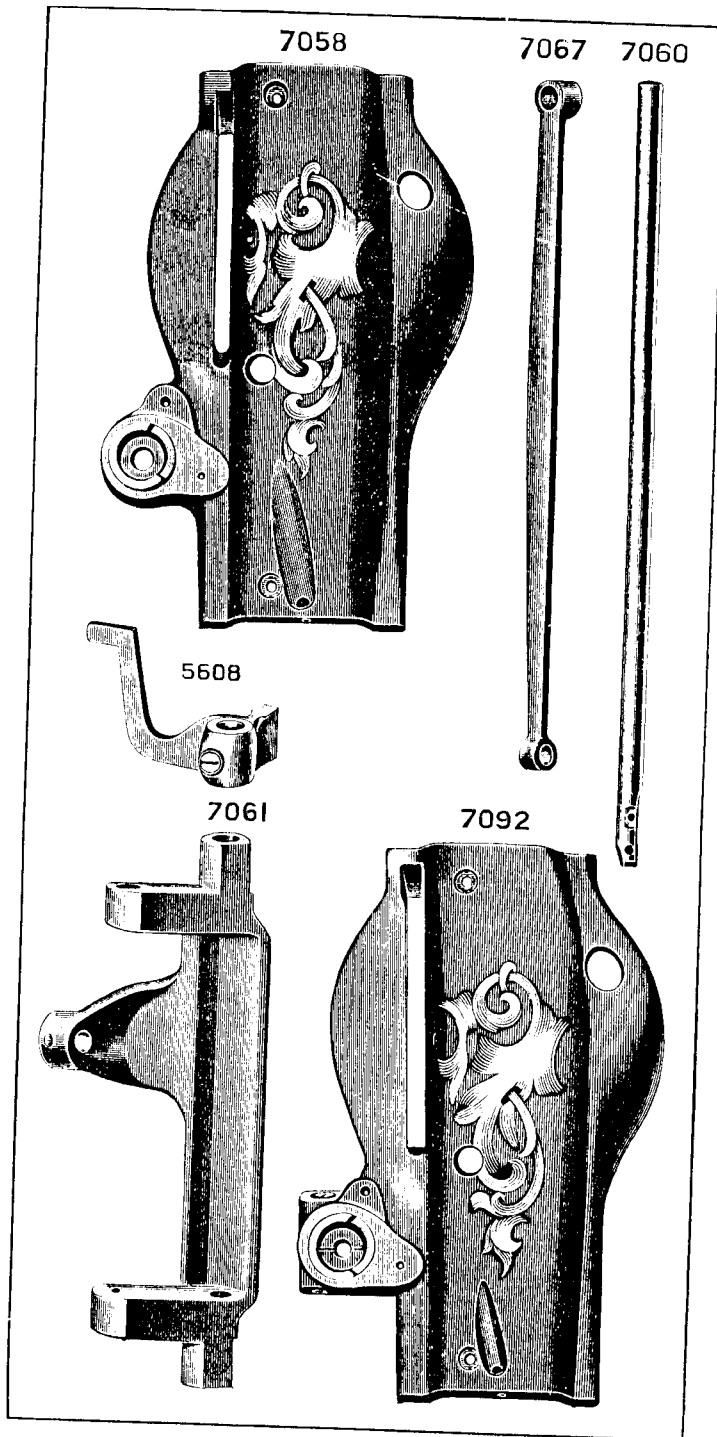
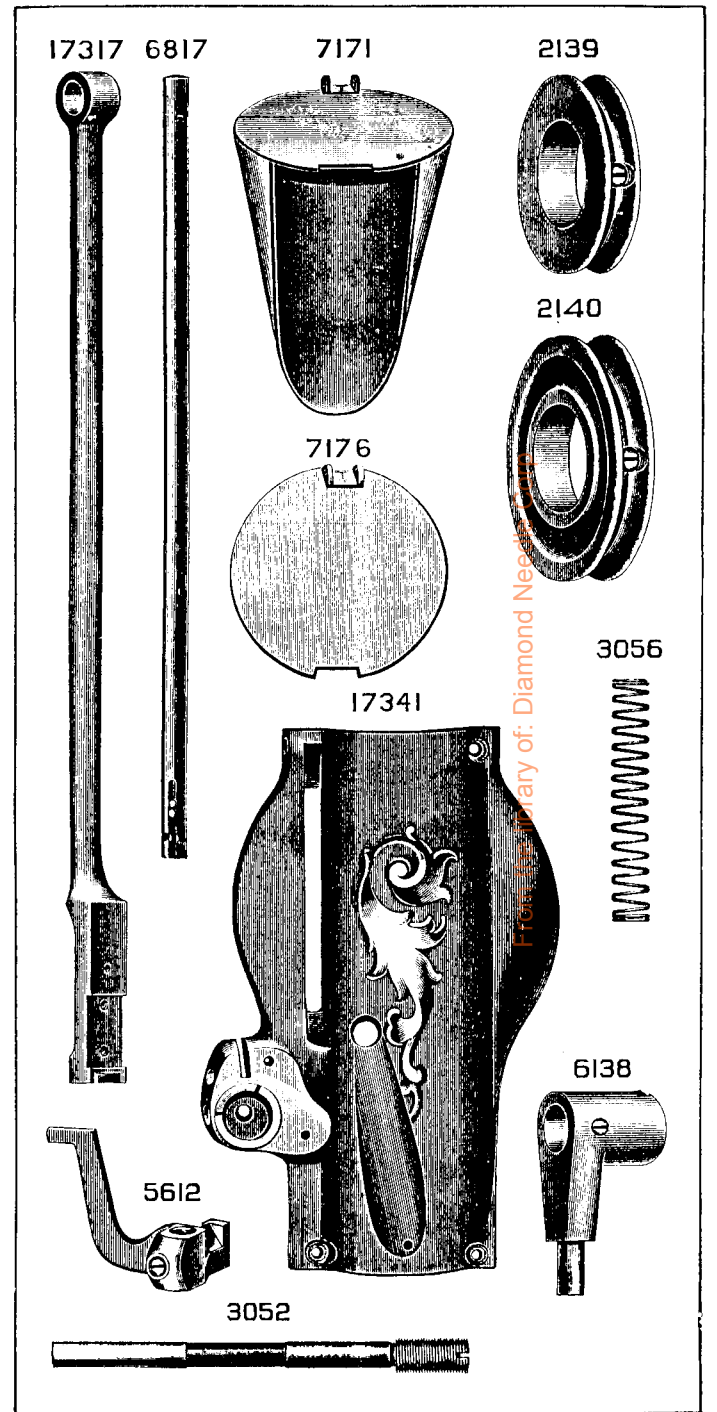


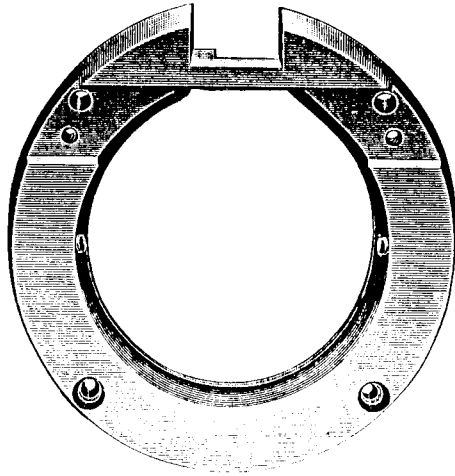
PLATE 1711—ONE-HALF SIZE



From the Library of: Diamond Needles

PLATE 1712—FULL SIZE

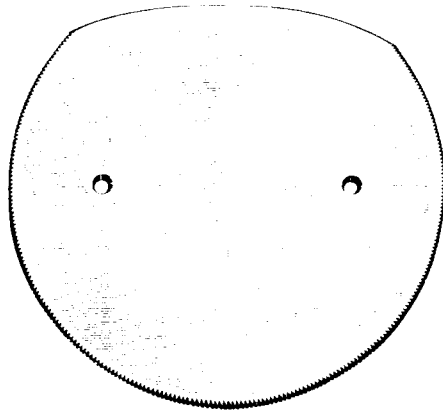
7046



7048



7053



7050

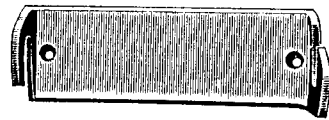
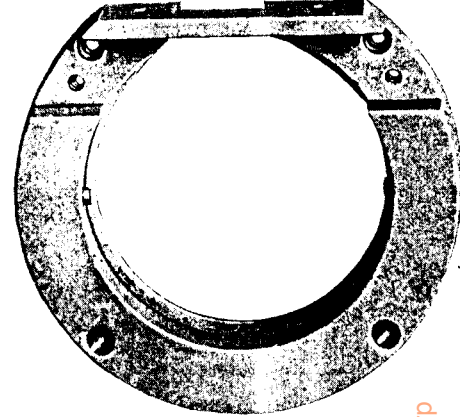


PLATE 1713—FULL SIZE

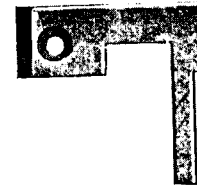
7088



17320



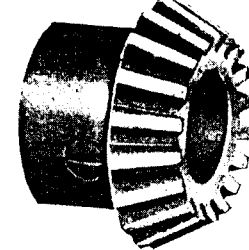
7090



7577



17345



From the library of: Diamond Neetate Corp

1877



549



1538



6533



7298



226



7070



PLATE 1714—FULL SIZE

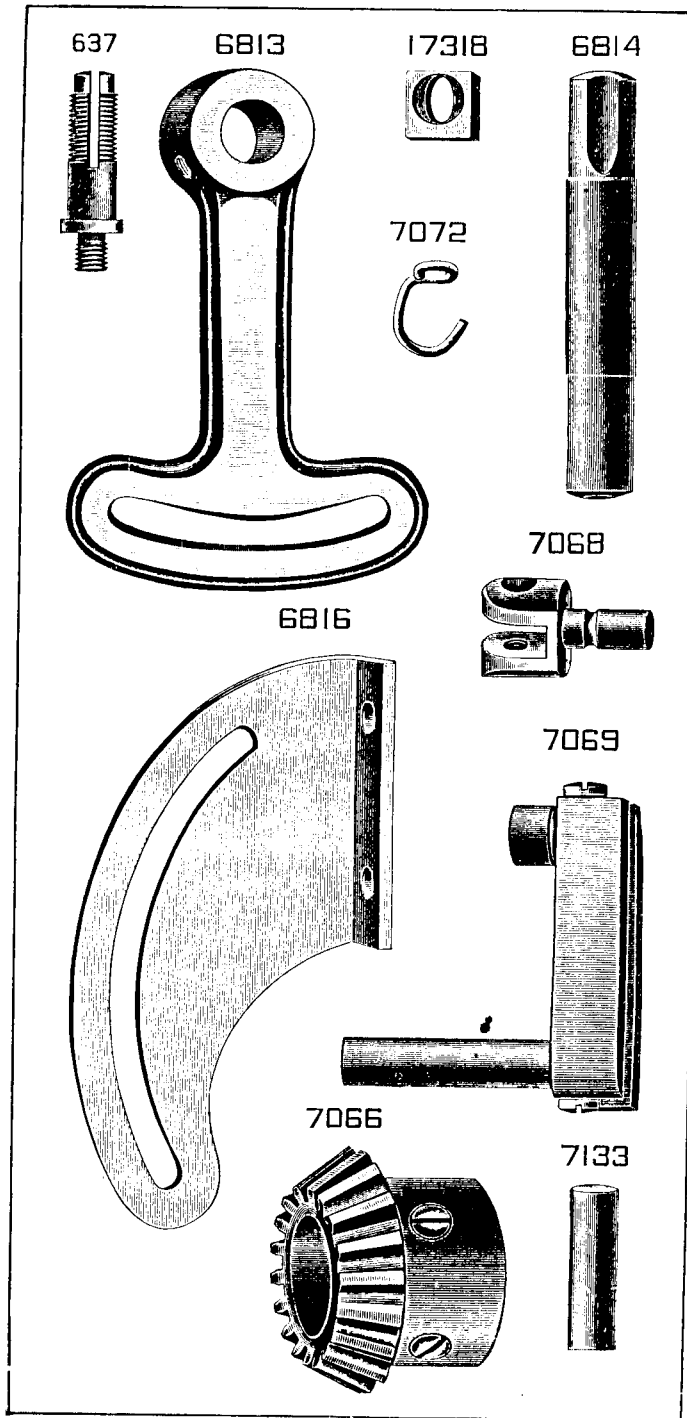


PLATE 1715—FULL SIZE

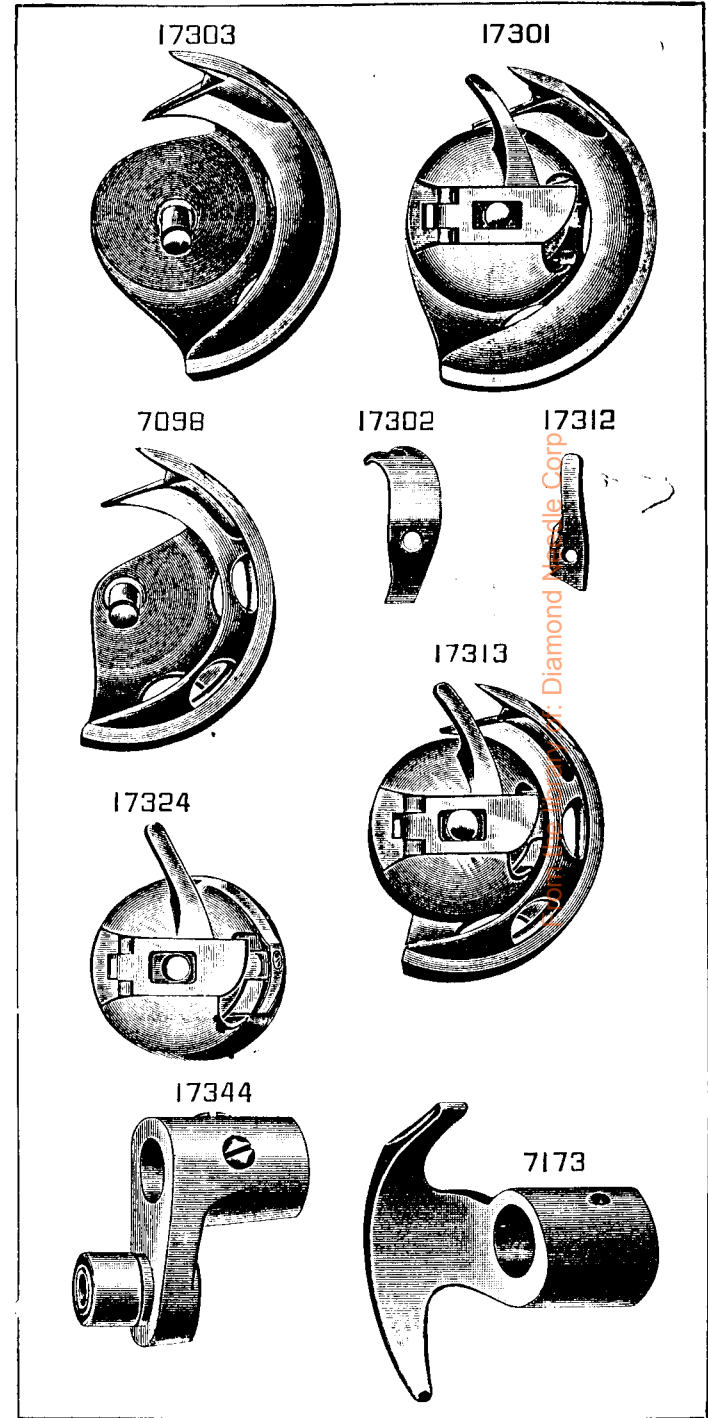


PLATE 1716—FULL SIZE

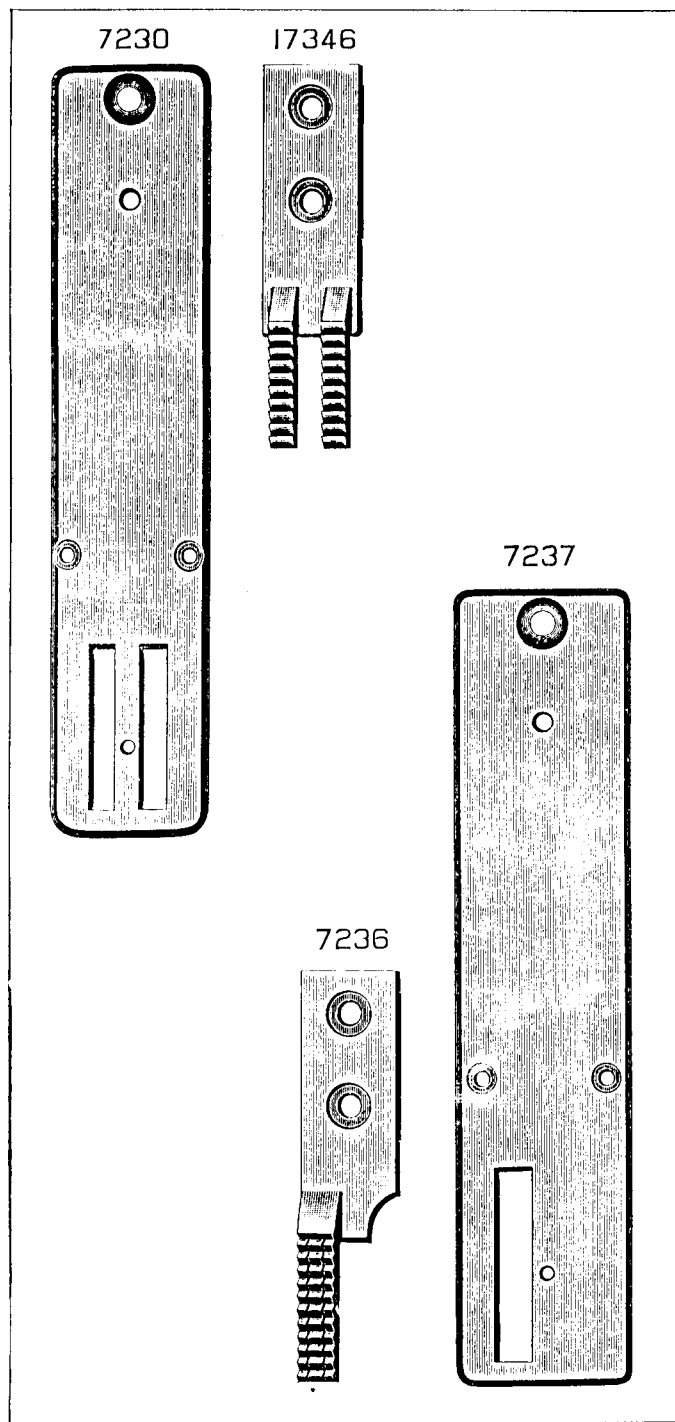


PLATE 1717—FULL SIZE

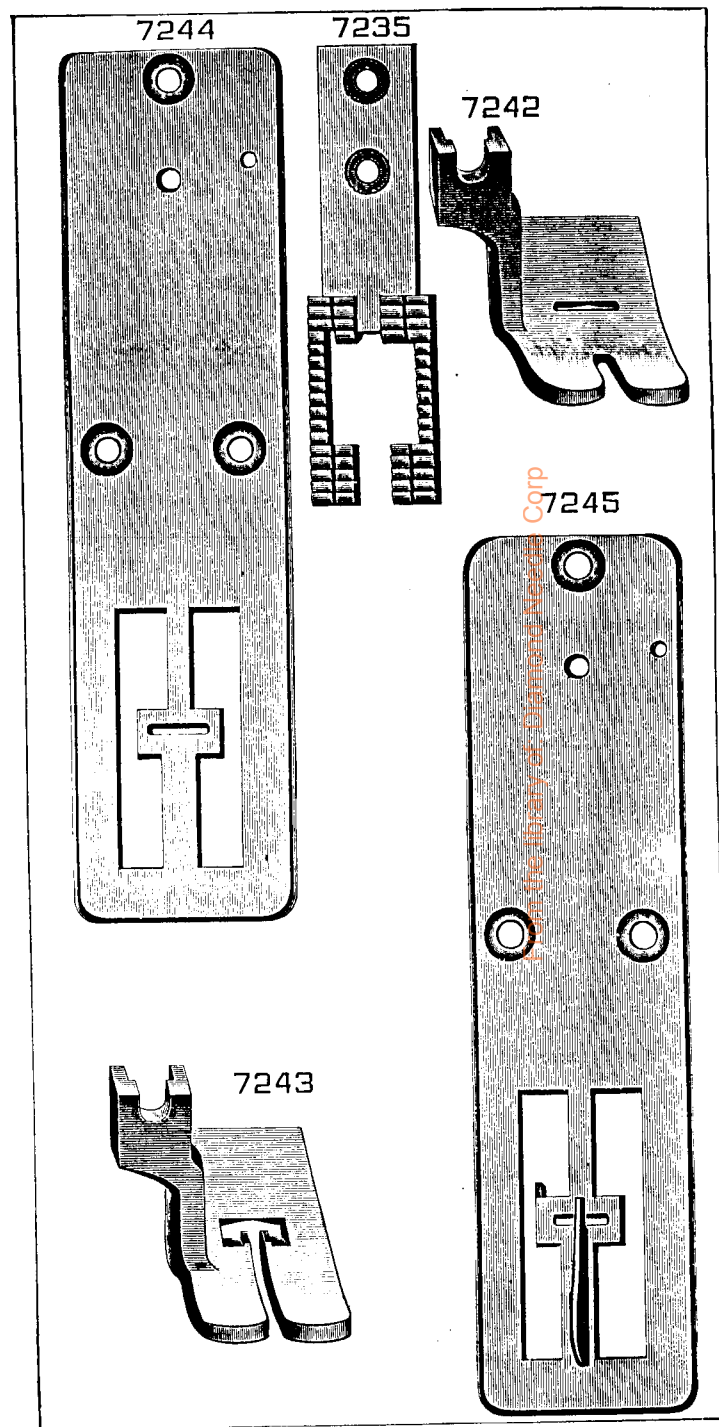


PLATE 1718—FULL SIZE

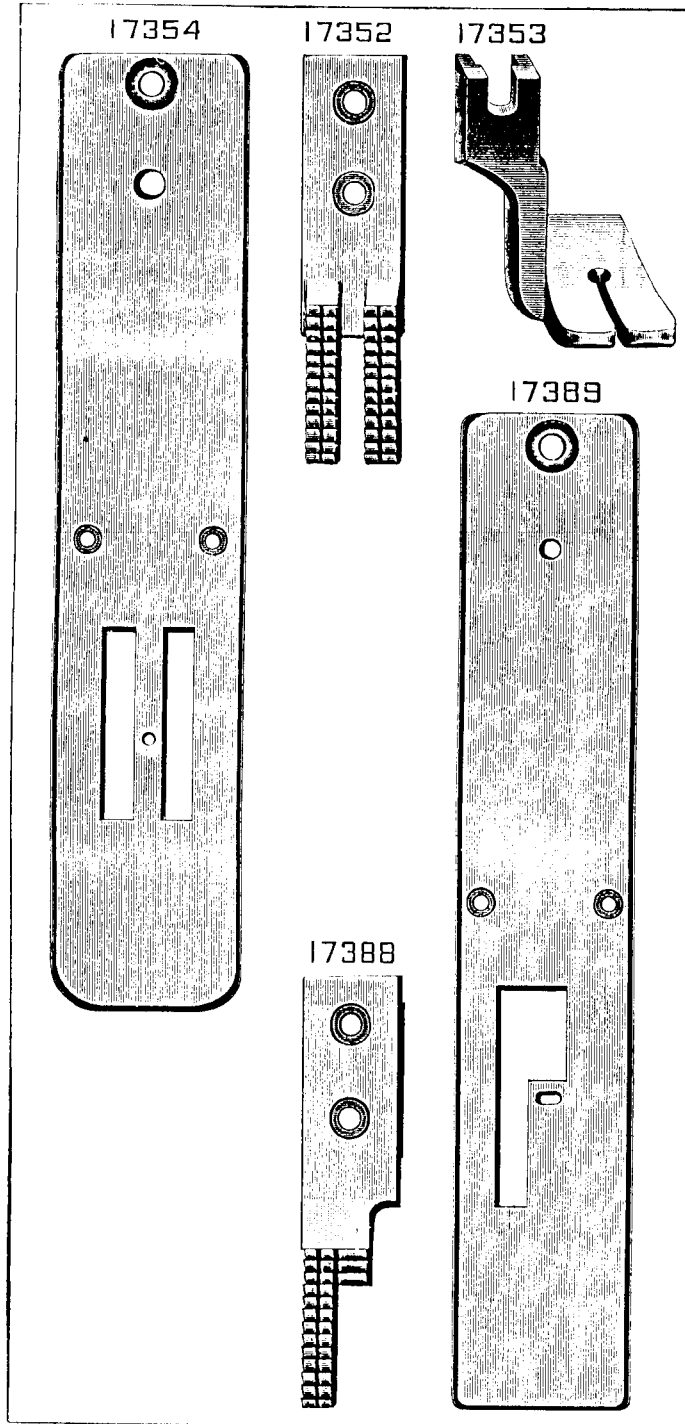


PLATE 1719—FULL SIZE

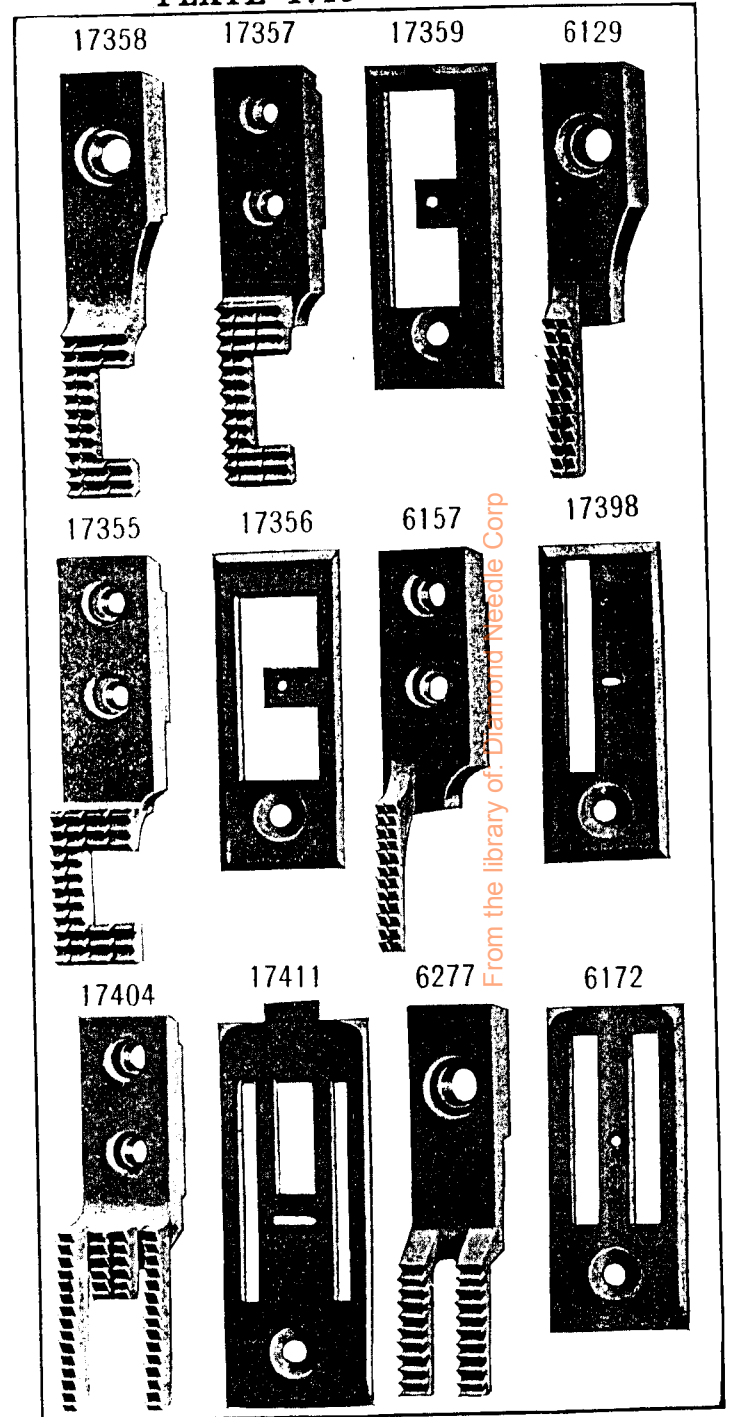
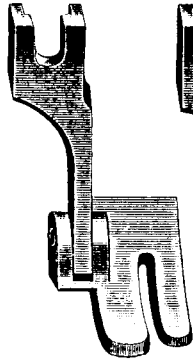
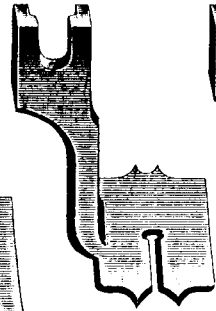


PLATE 1720—FULL SIZE

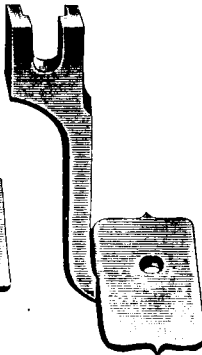
17365



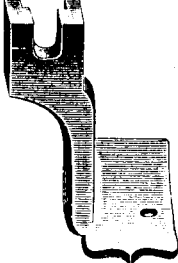
17368



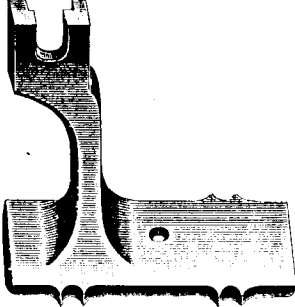
17366



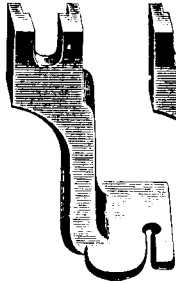
17367



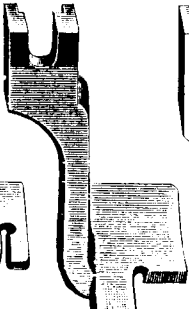
17369



17370



17387



17393

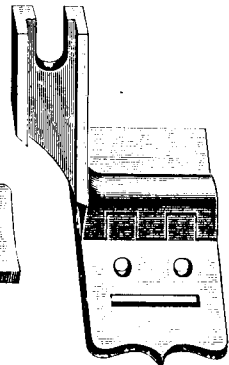
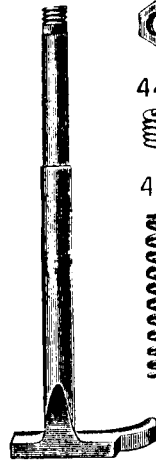


PLATE 1721—FULL SIZE

17383



1607



4462



4461



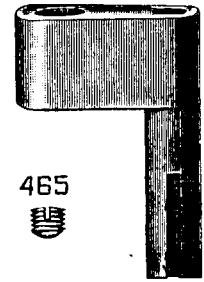
17385



735



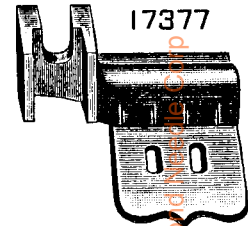
17384



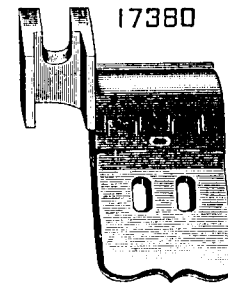
465



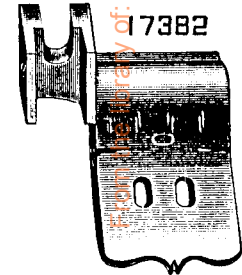
17377



17380



17382



Library of: Diamond Knives Corp.

PLATE 1722 — FULL SIZE

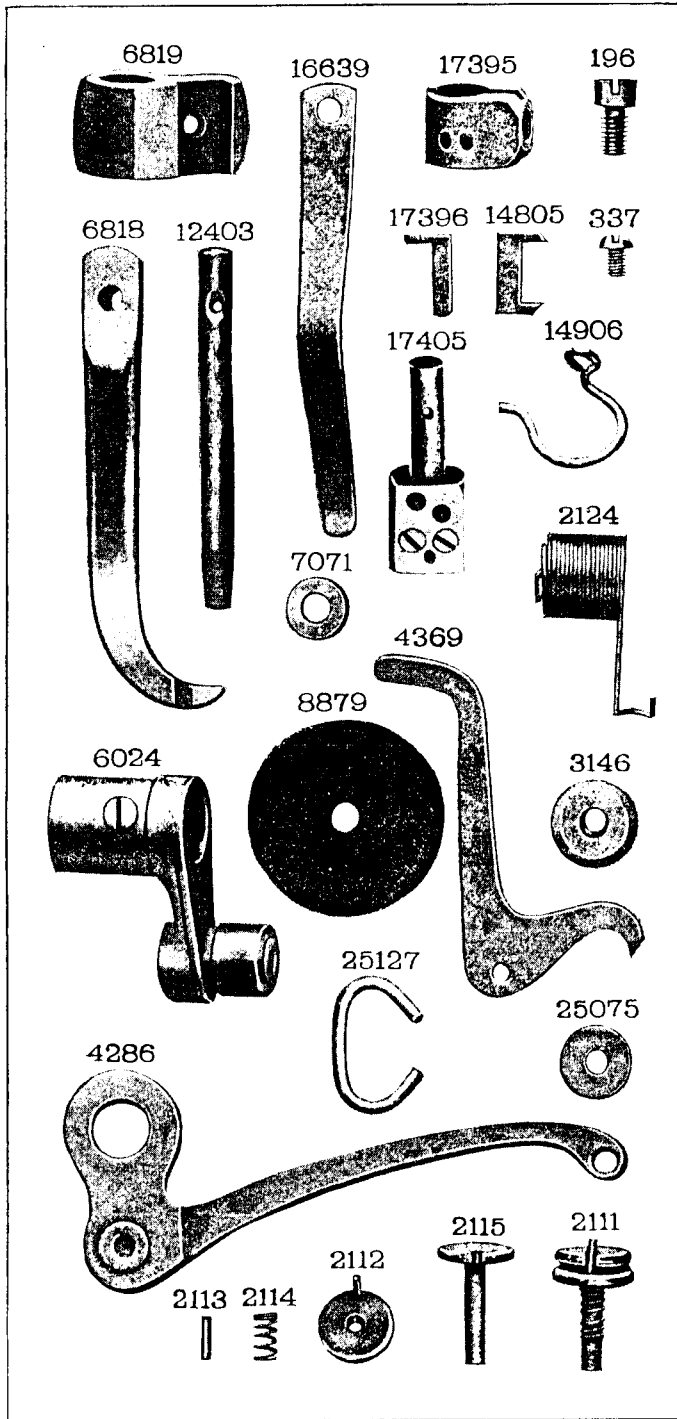
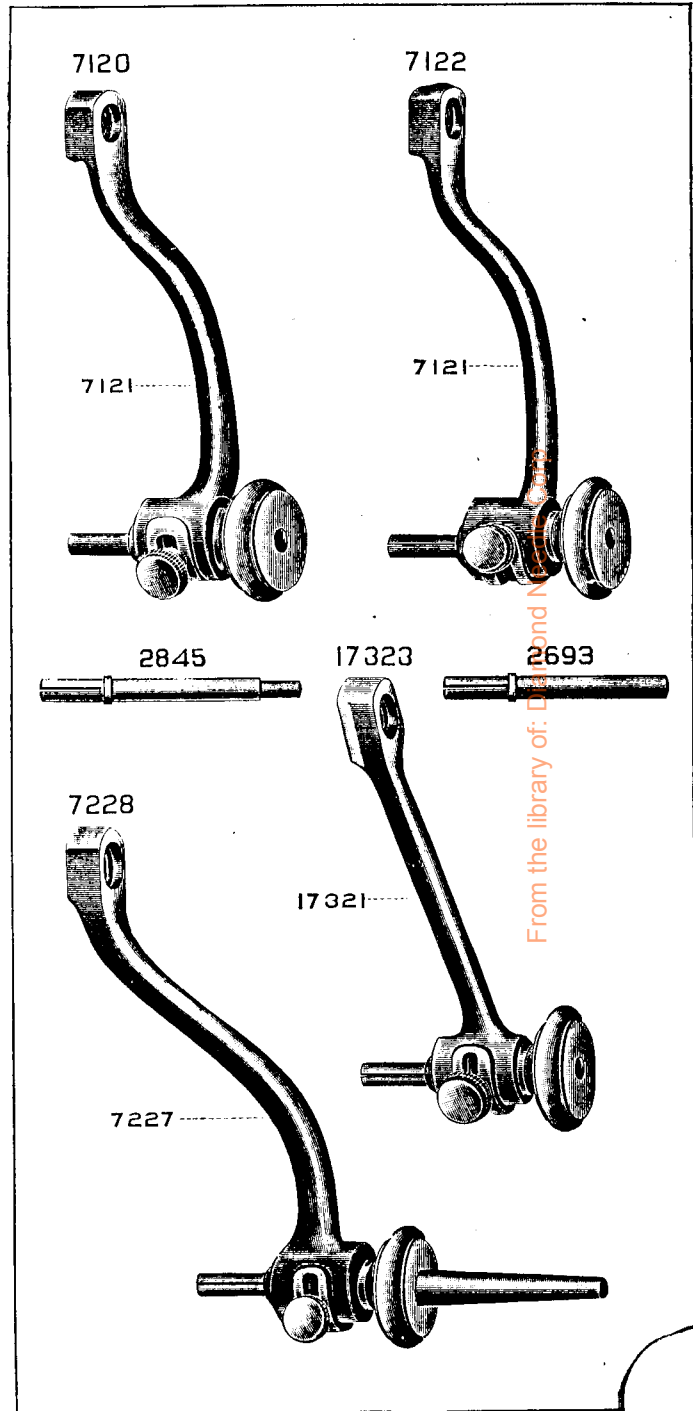


PLATE 1723 — ONE-HALF SIZE



From the library of: Diamond N...

PLATE 1724—ONE-HALF SIZE

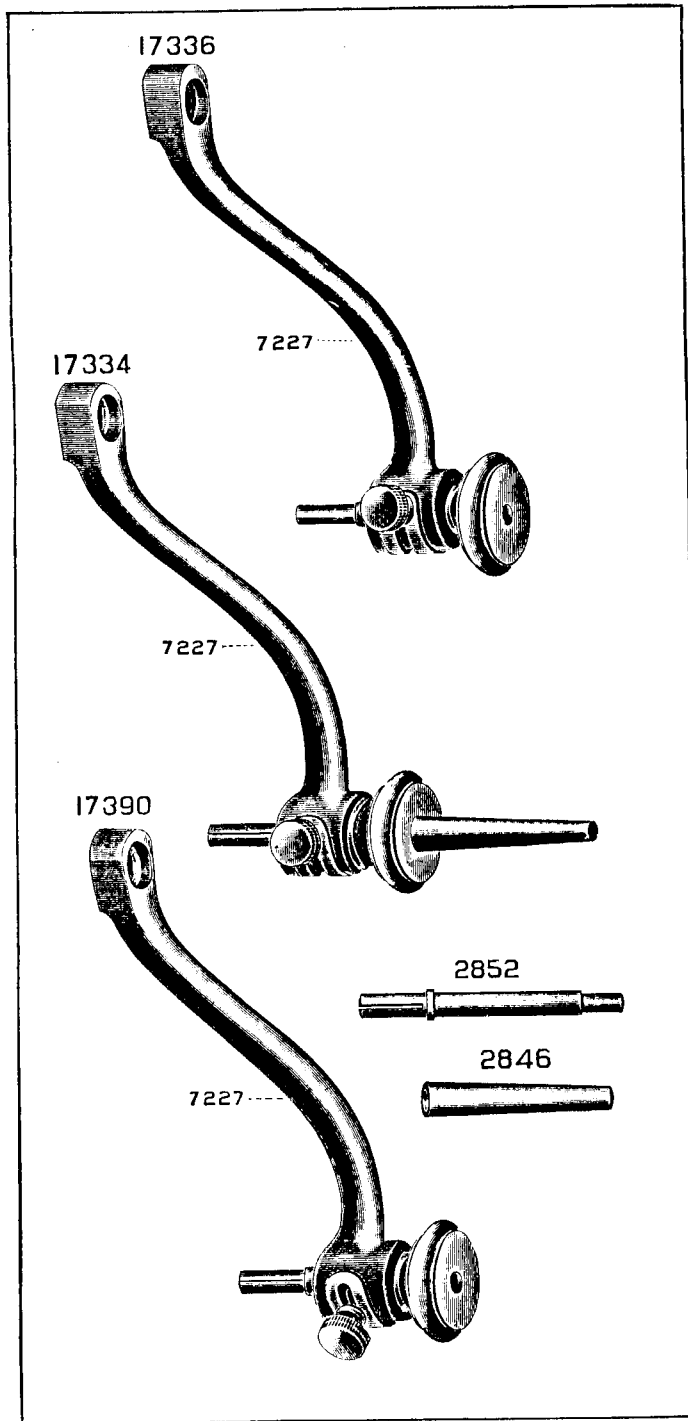


PLATE 1725—ONE-HALF SIZE

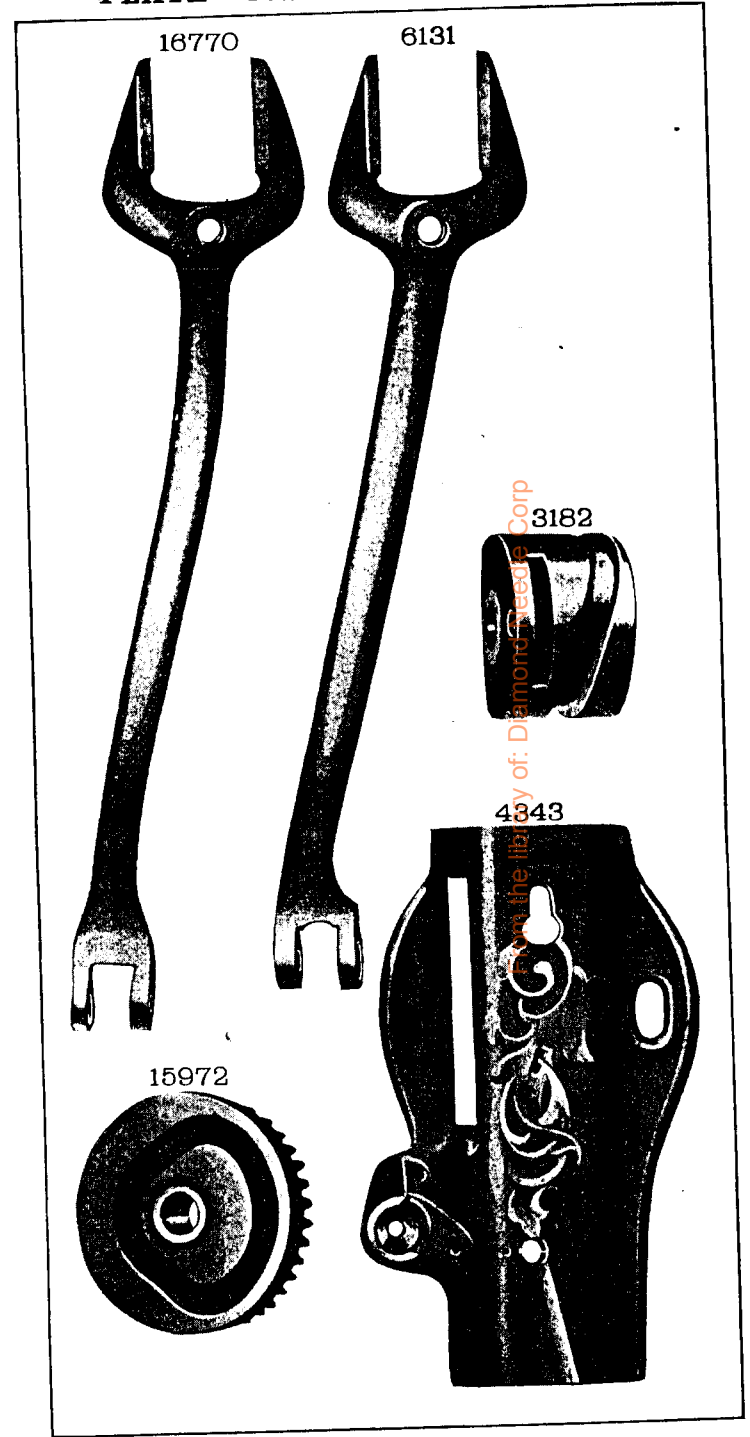


PLATE 1726—FULL SIZE

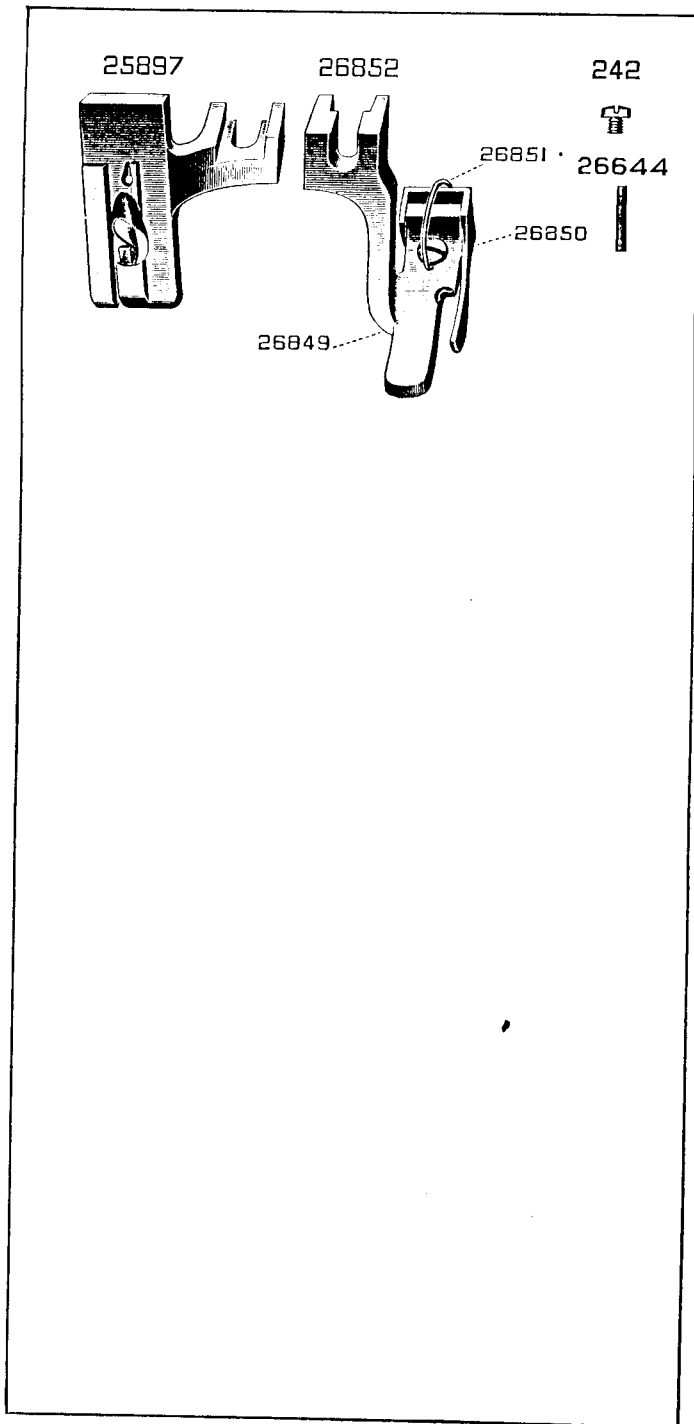


PLATE 1727—FULL SIZE

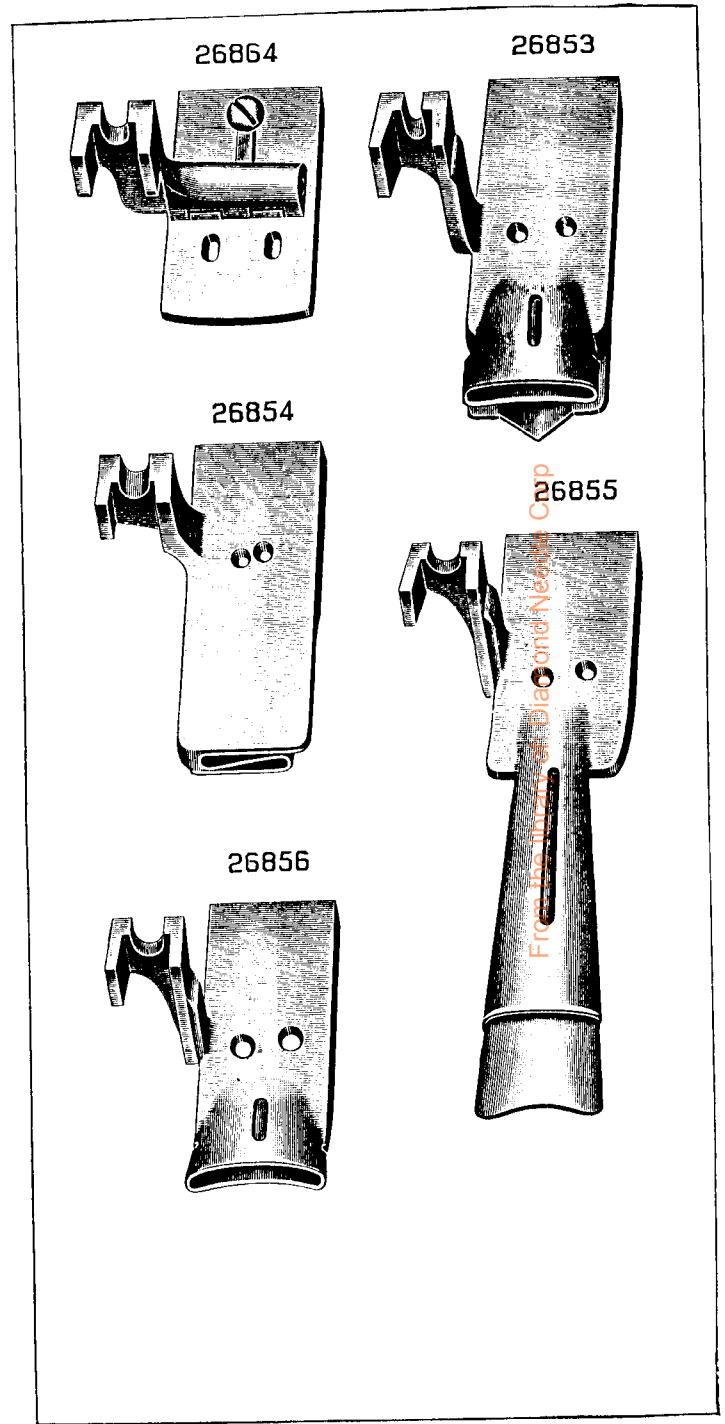
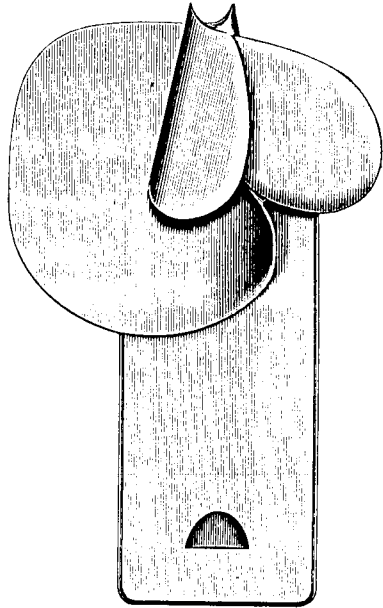


PLATE 1728—FULL SIZE

26857



26858

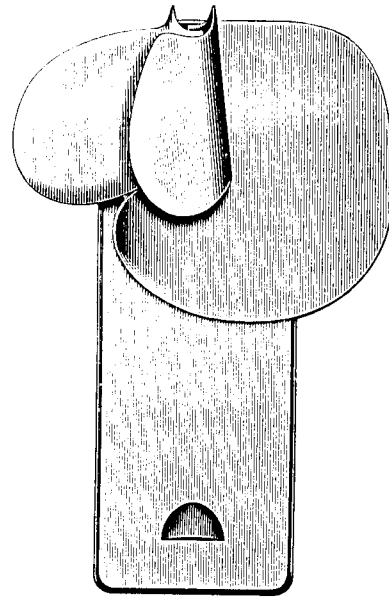
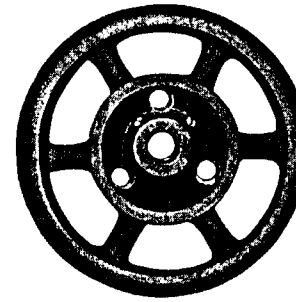
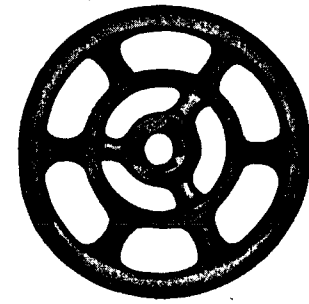


PLATE 1729—ONE-FOURTH SIZE

7370



2862



6348



5668



5669°

5667

From the library of: Diamond Needle Corp

PLATE 1730 — ONE-HALF SIZE

6023 6134 17413 17394 3044 4264 7293

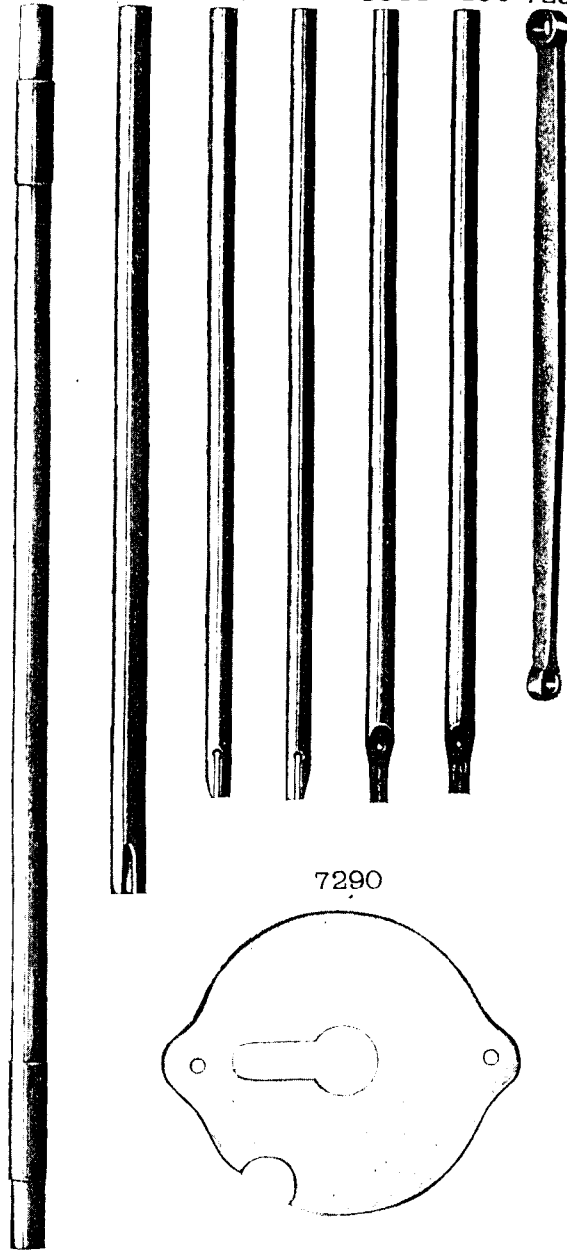


PLATE 1731 — FULL SIZE

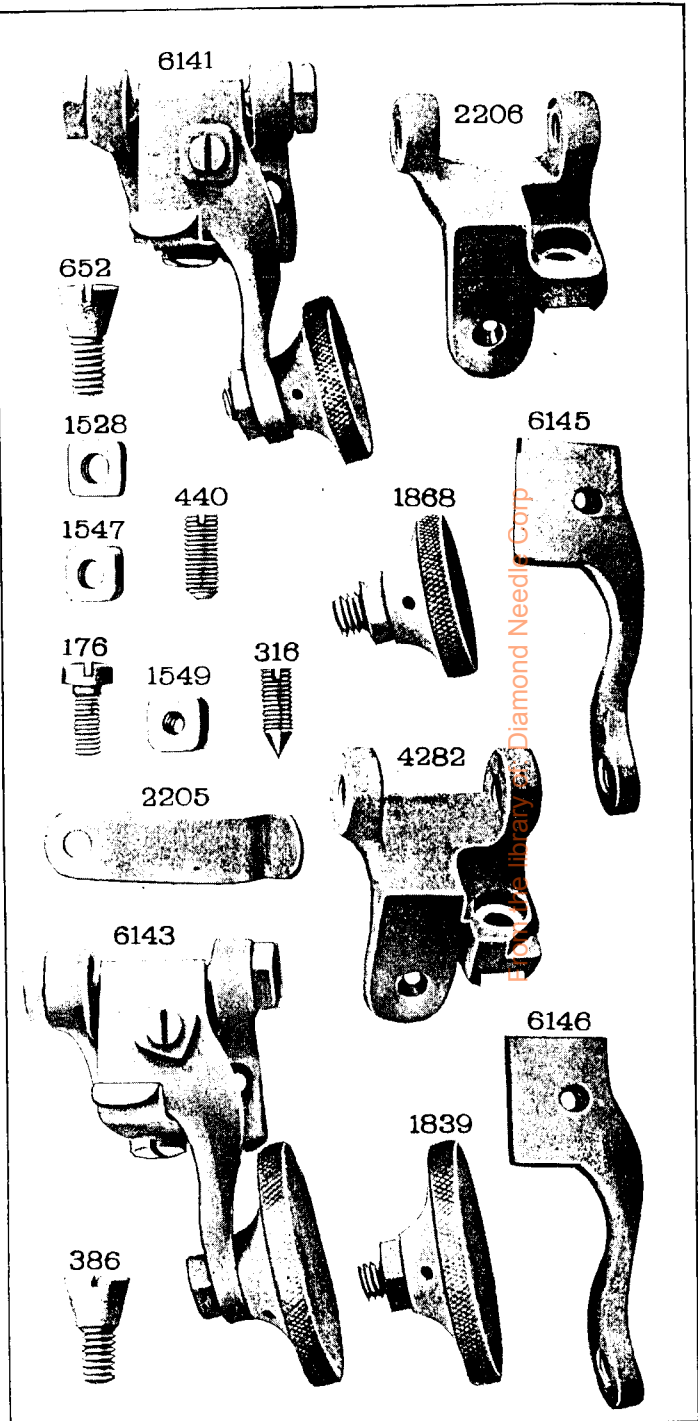


PLATE 1732 - FULL SIZE

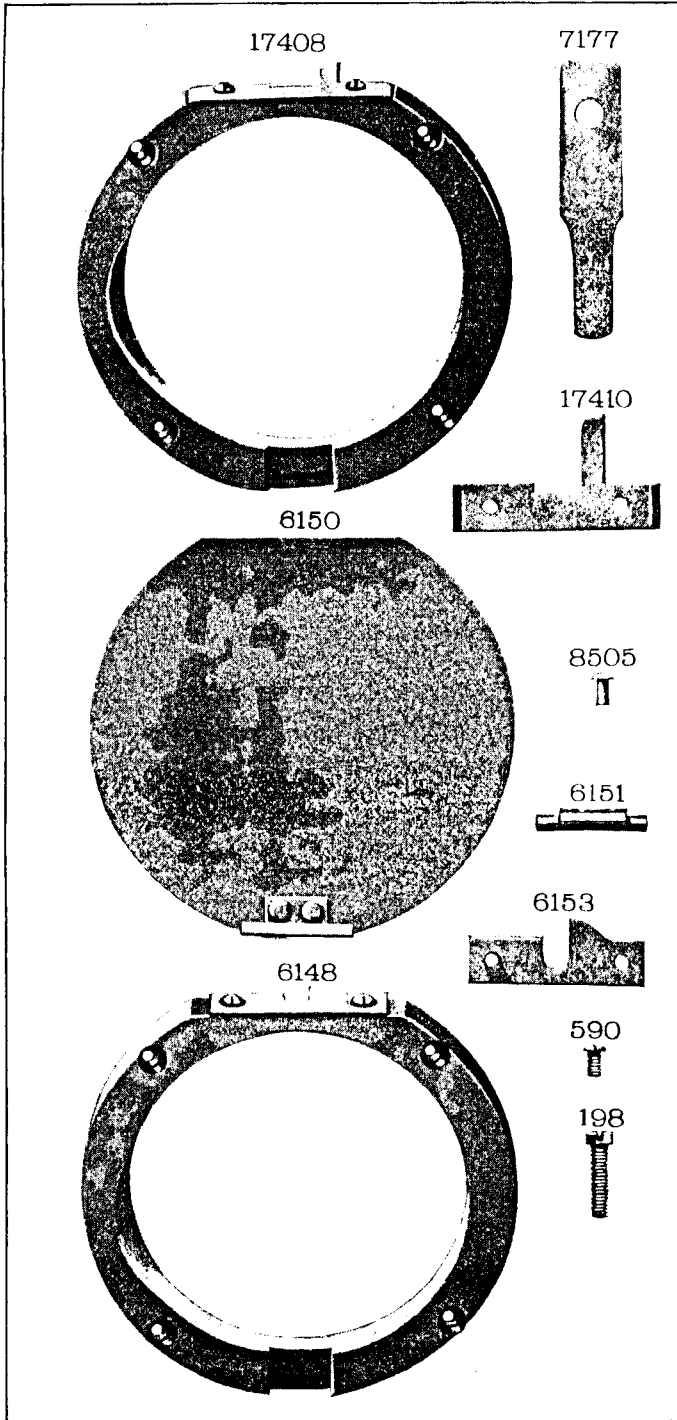


PLATE 1733 - FULL SIZE

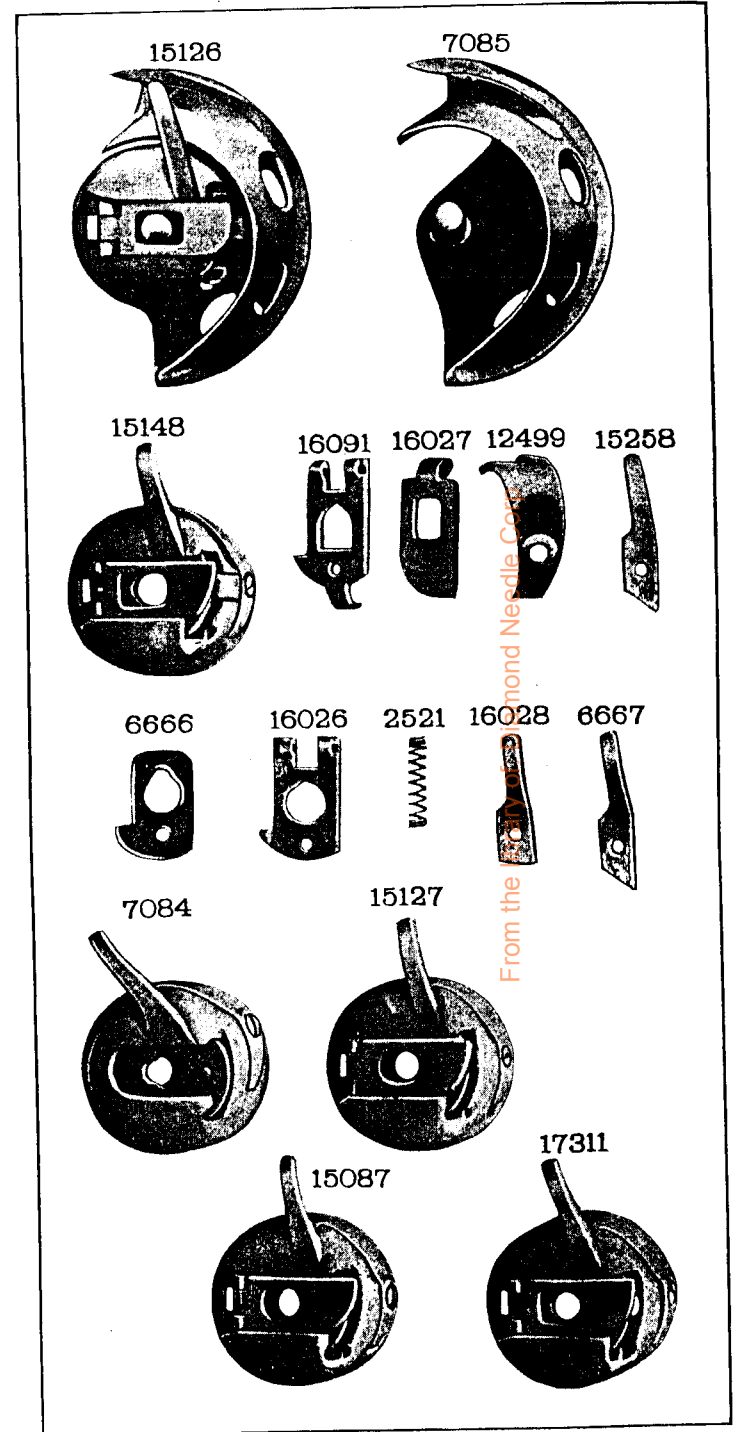


PLATE 1734 - FULL SIZE

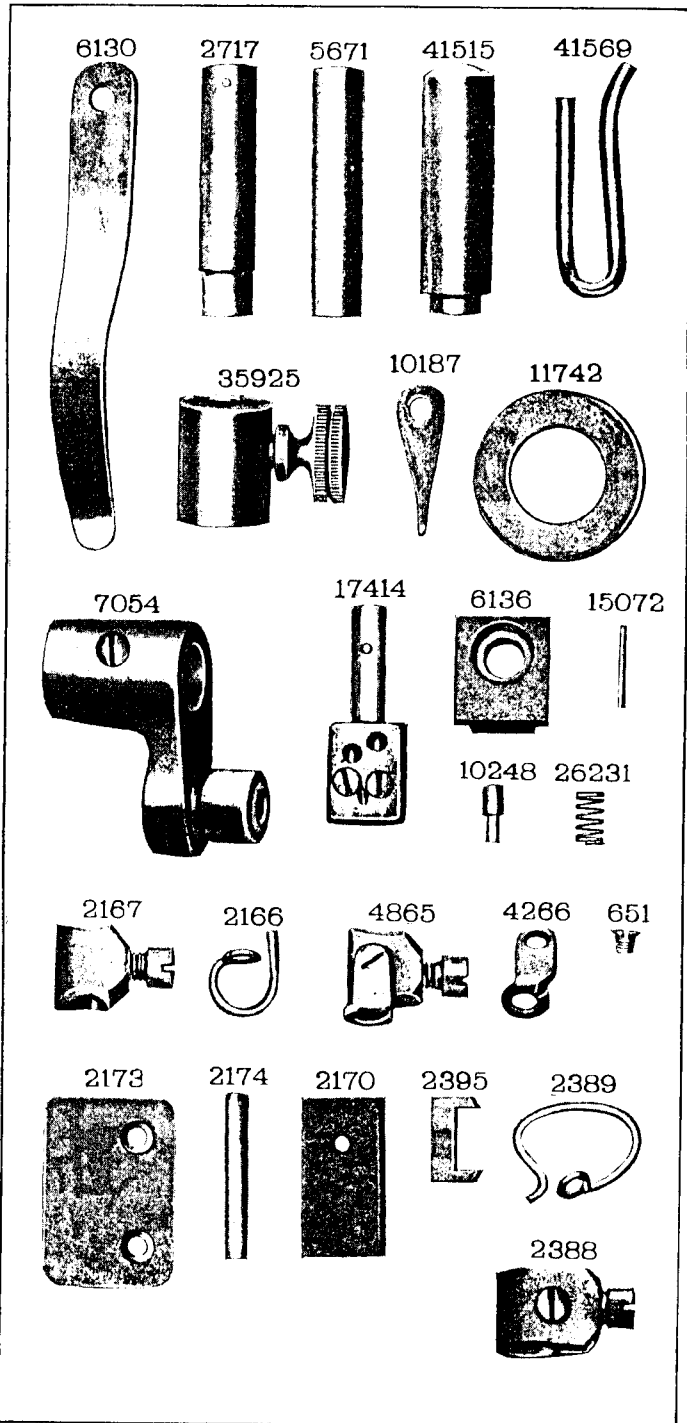
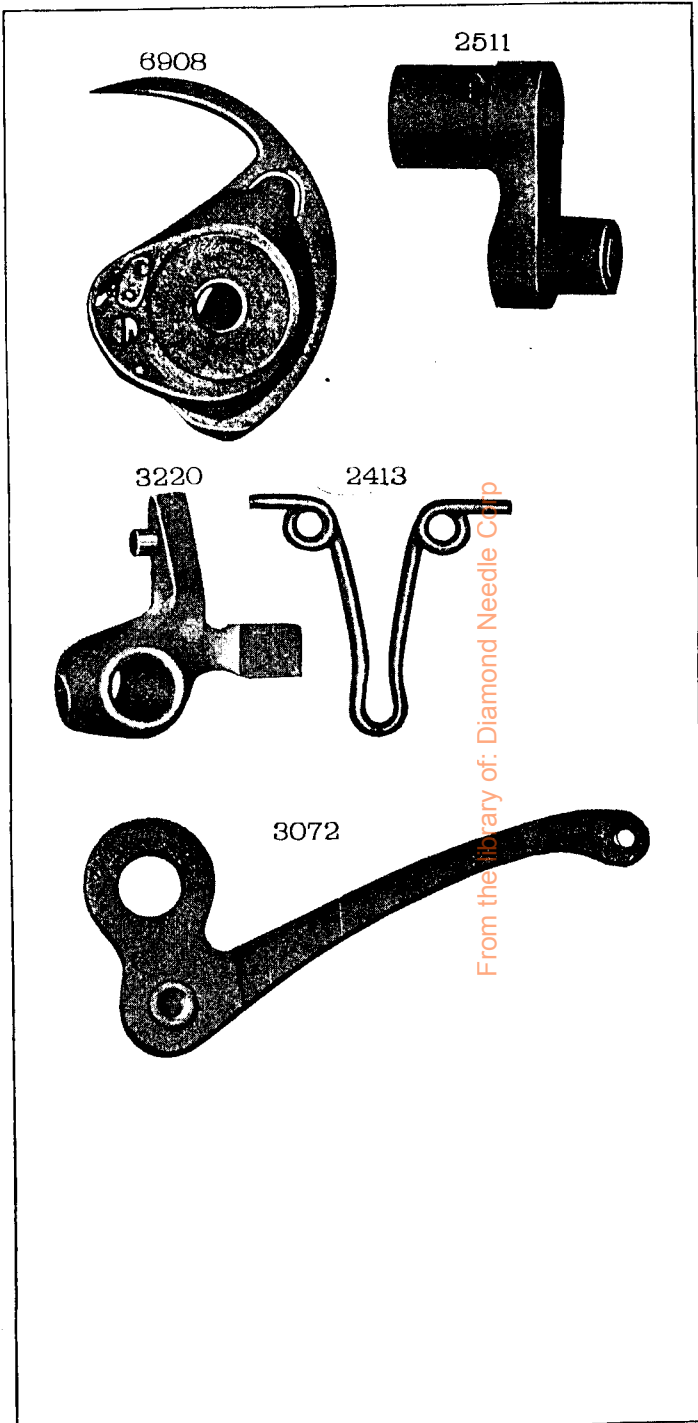


PLATE 1735 - FULL SIZE



From the library of: Diamond Needle Corp

PLATE 1736 - FULL SIZE

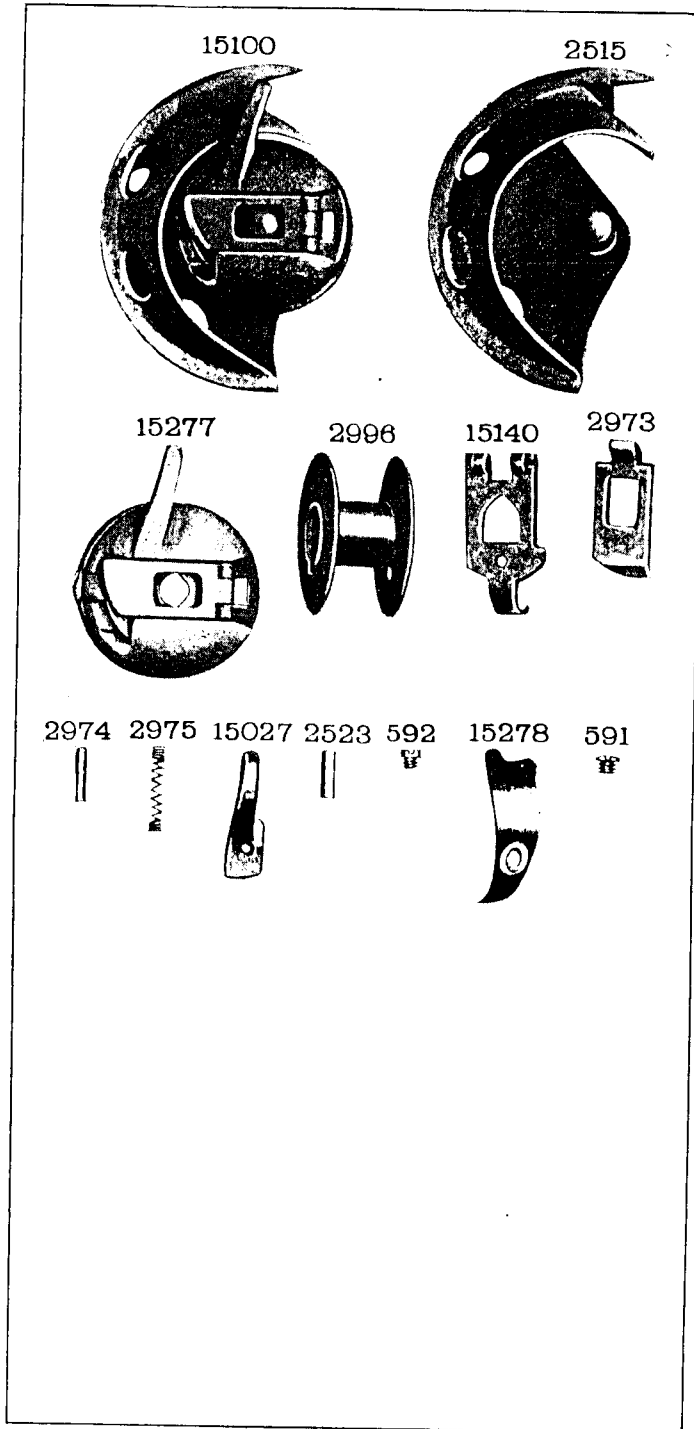


PLATE 1737 - FULL SIZE

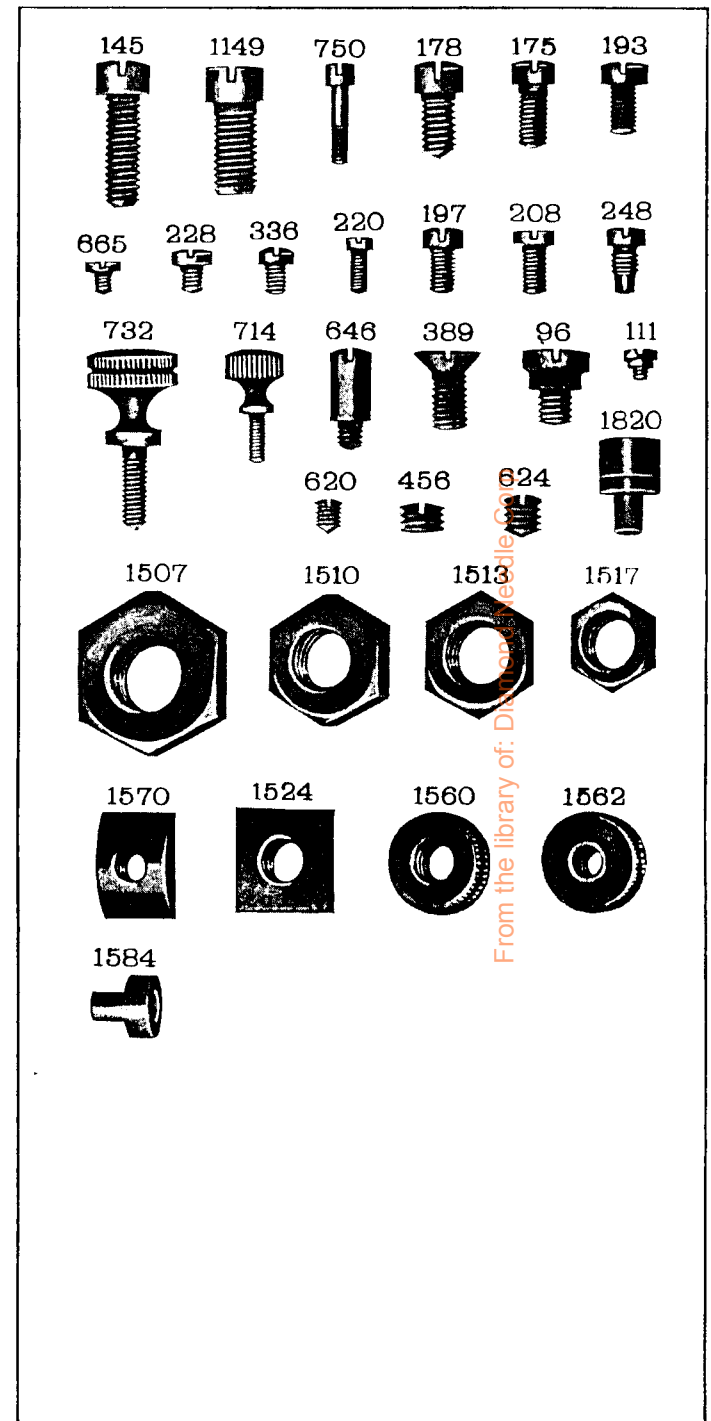


PLATE 1738 — ONE-NINTH SIZE

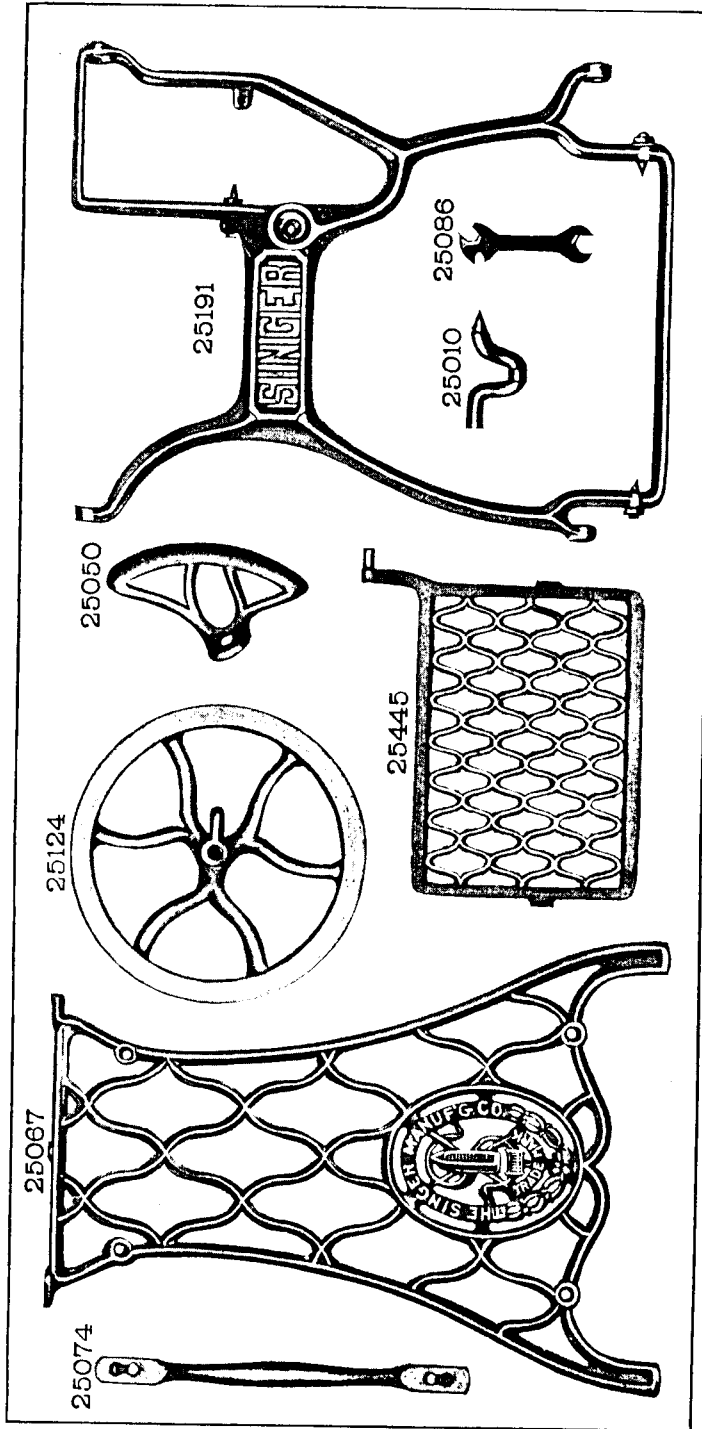


PLATE 2445 — ONE-HALF SIZE

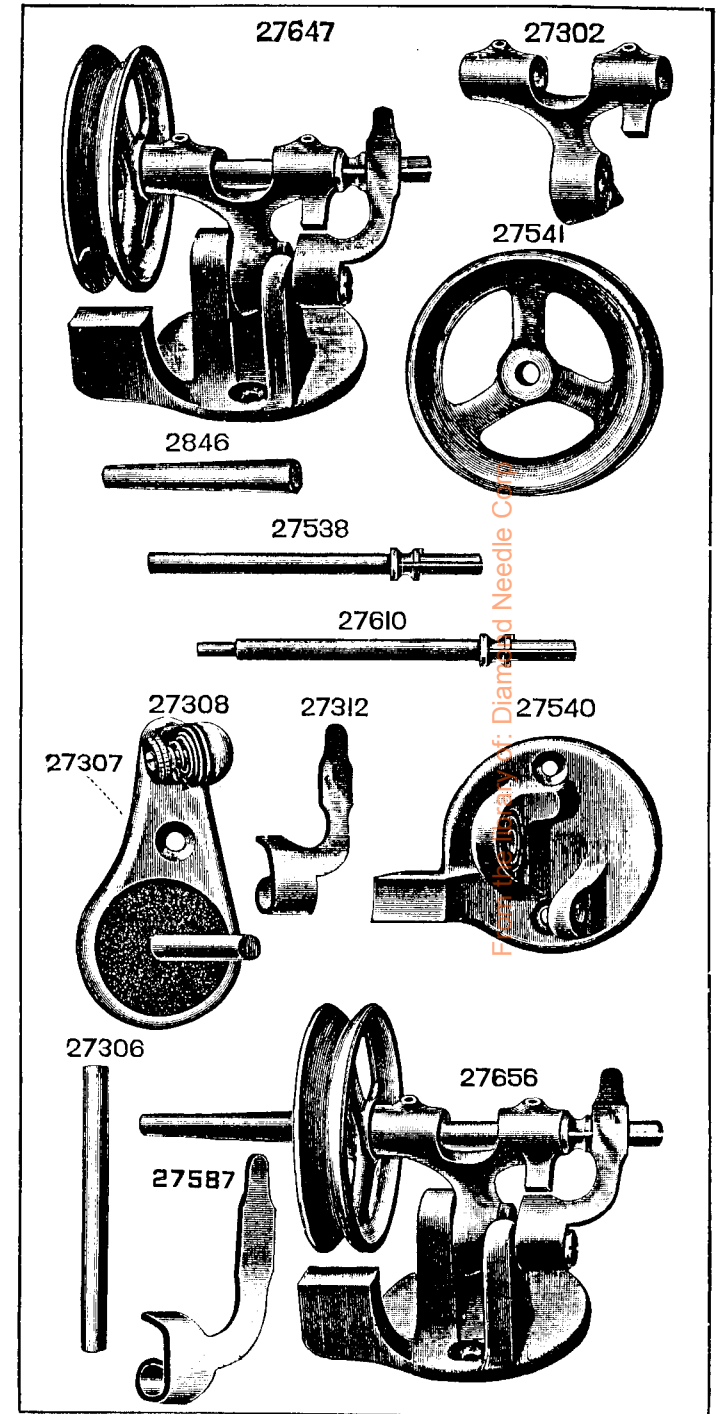


PLATE 2640—ONE-FOURTH SIZE

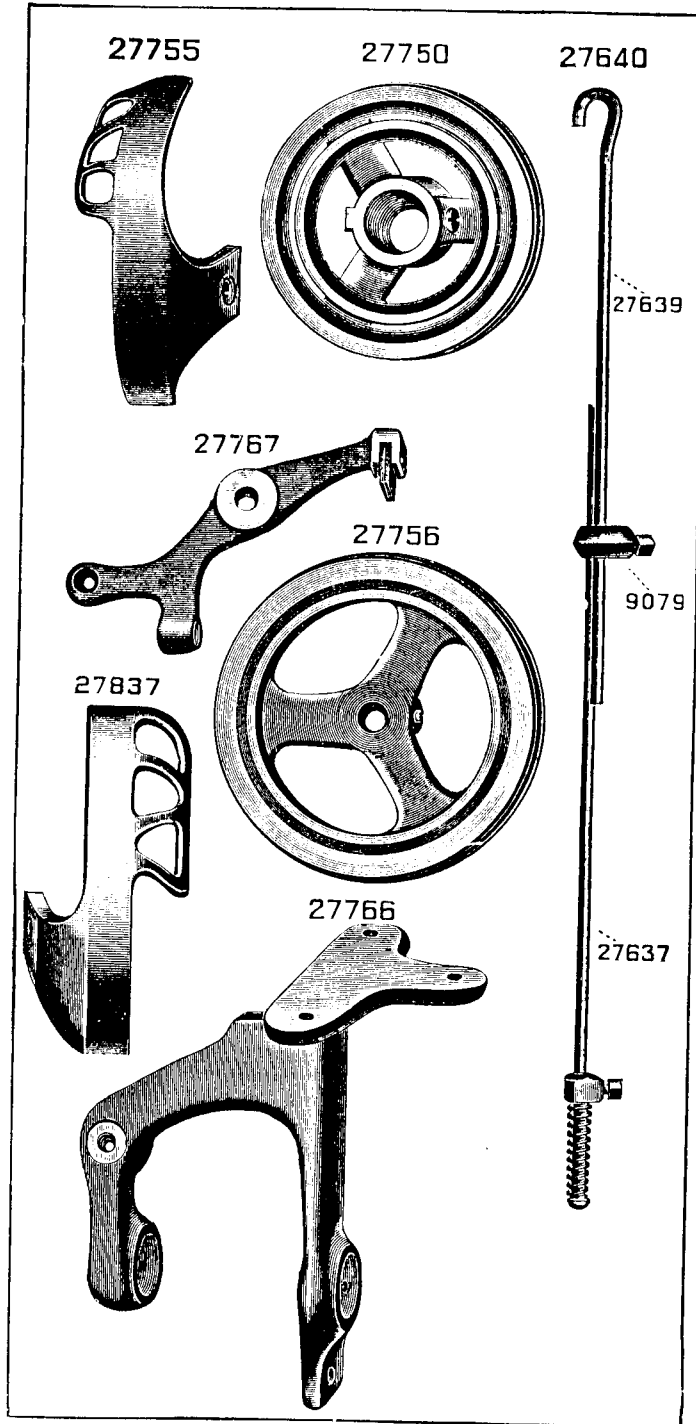


PLATE 2641—FULL SIZE

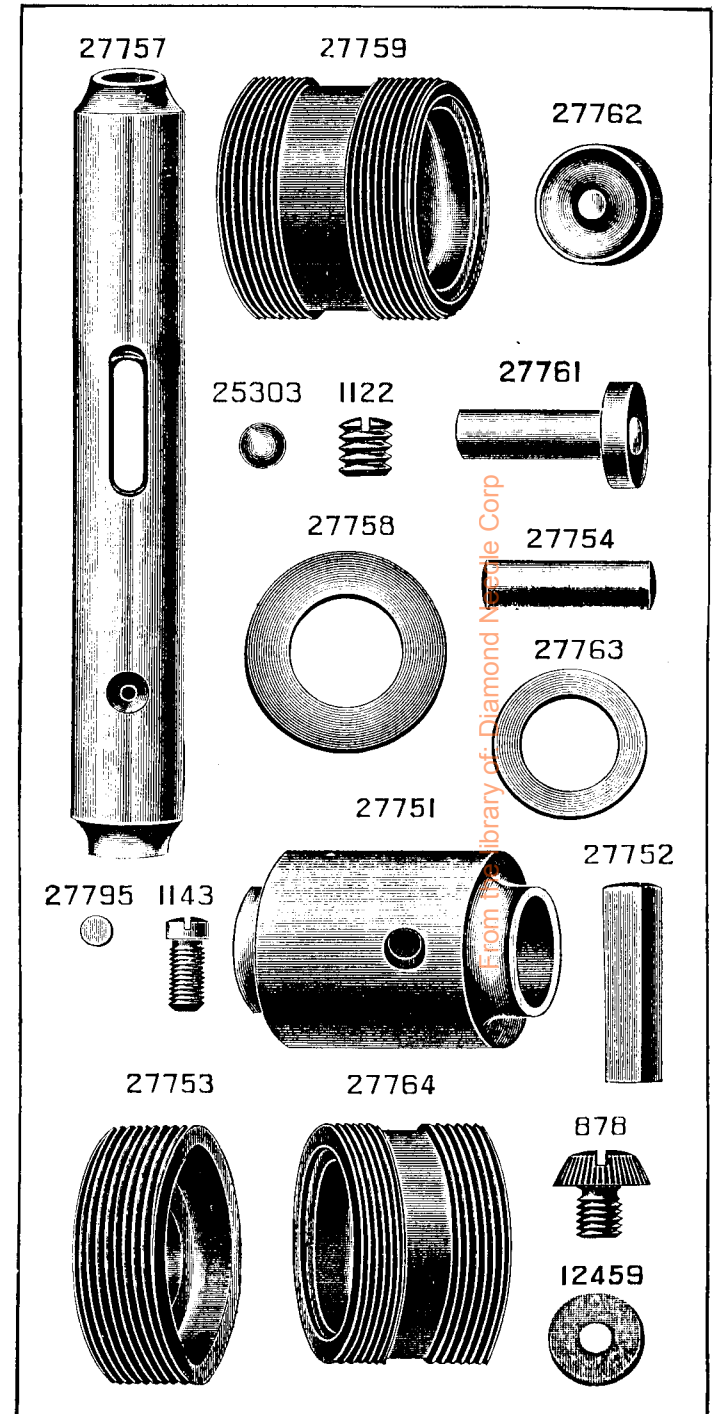


PLATE 2642—FULL SIZE

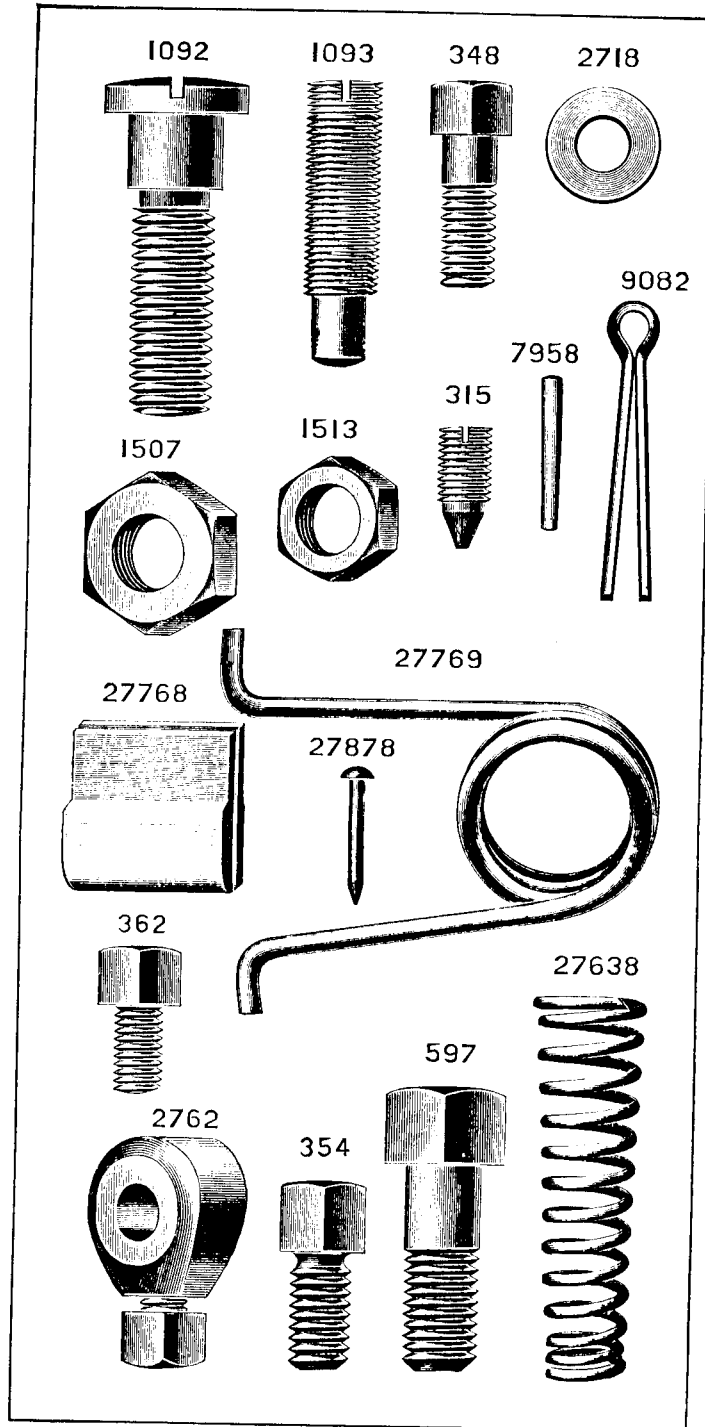


PLATE 2836—ONE-FOURTH SIZE

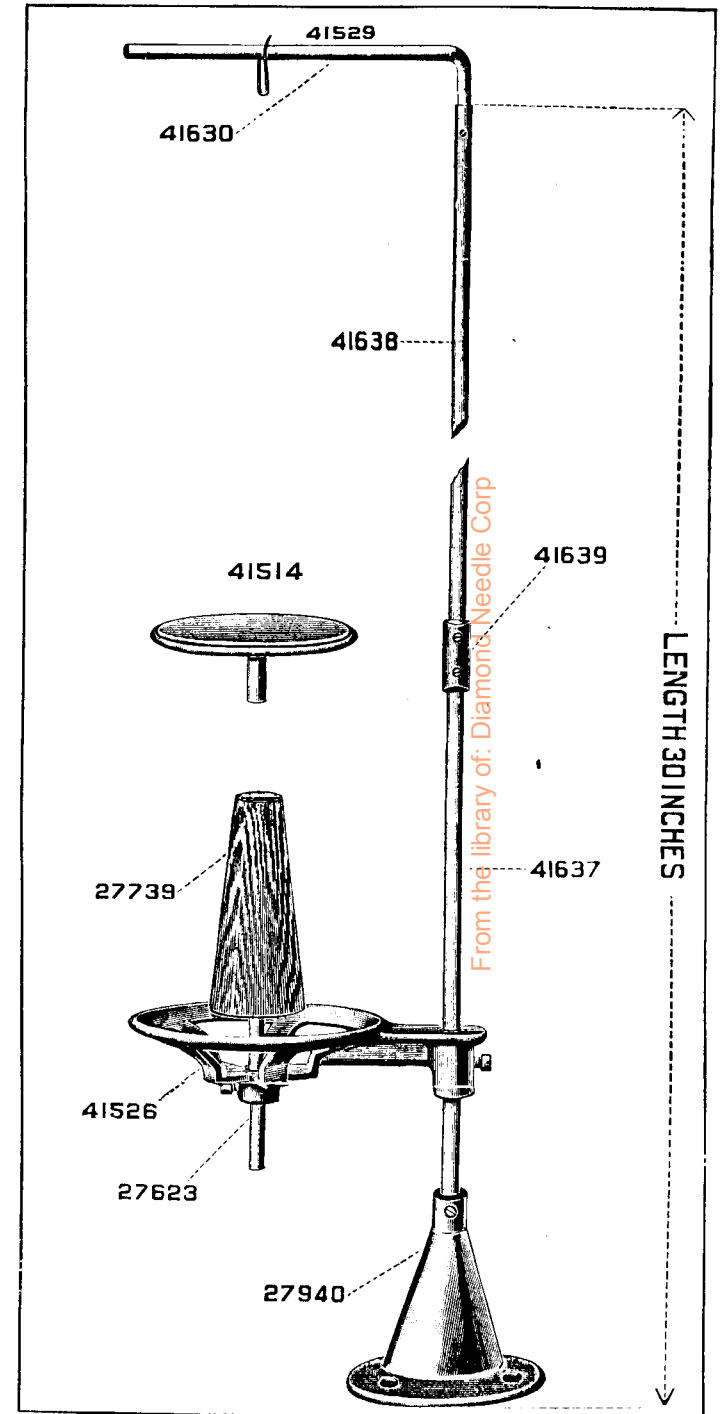


PLATE 2837—ONE-FOURTH SIZE

